

# L-865 Q-EX White Obstruction Light

## Compliance and Applications

- FAA AC 150/5345-43H
- ICAO Annex 14 – Volume I
- Ex certificate: INERIS 01ATEX0019x
- ATEX execution: II 2GD Ex de IIC T4 Gb
- DGAC/STAC approval nr. 2013A037

The specifications of this product are according to:

- L-865 (Flashing 40 fpm) or L-866 (Flashing 60 fpm) (FAA)
- Medium-intensity, Type A (Flashing 20-60 fpm) (ICAO)

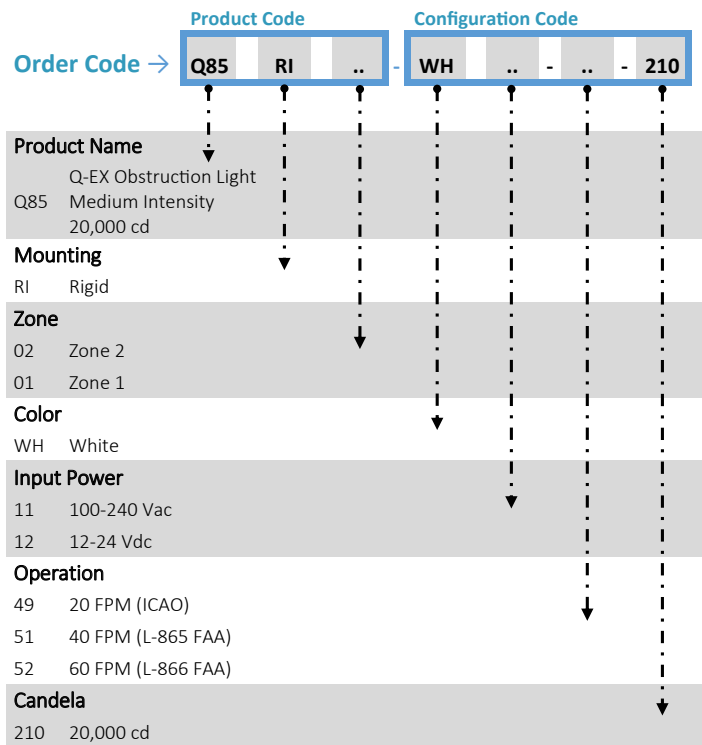
Our Q-EX white medium intensity obstacle lights are explosion proof and can be used to mark tall structures in zone 1 and zone 2 areas. The flash rate varies from 20 fpm to 60 fpm depending on the chosen configuration. The Q-EX obstruction light can be used 24 hours per day. The sensor sends a signal to the light unit to switch to day, twilight or night mode. The light will automatically switch to the required candela output.

## Technical Specifications

- Product Code: Q85RI01 / Q85RI02
- Application: Helideck
- Light Color: White
- Light Source: LED
- Flash rate: 20 fpm: 9 W; 40 fpm: 12 W; 60 fpm: 15 W
- IP-Index: IP66
- Enclosure: Aluminium, powder coated
- Mounting: Rigid
- Input Voltage: 100-240 Vac or 12-24 Vdc
- Consumption: 18 W/peak
- Ambient Temp: -4° to +140° F (-20°C to +60°C)
- System power: 9-15 W
- Conn. conductors: 0.5 mm<sup>2</sup> to 2.5 mm<sup>2</sup>
- Cable: 7 mm to 14 mm

## Photometrics

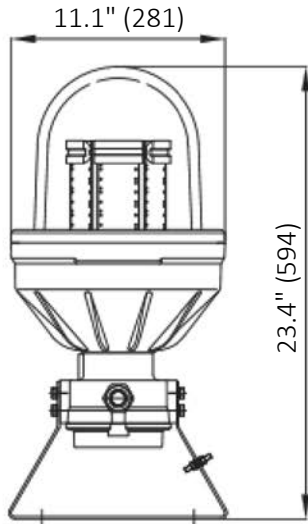
- Intensity: 20,000 cd (day/twilight), 2,000 cd (night)
- Operation Mode: Flashing
- Horizontal Beam Coverage: Omni-directional
- Vertical Beam Spread: min. 3°



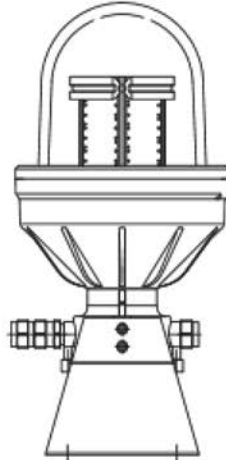
**General Dimensions**

In the image below the general dimensions and mounting dimensions are displayed.

BEACON FRONT VIEW



BEACON SIDE VIEW



MOUNTING DETAILS

