



**Flight Light Inc.**  
 2708 47th Ave.  
 Sacramento, California, U.S.A.  
 95822-3806

solarseries

**PH (916) 394-2800**    **FX (916) 394-2809**  
**TF (800) 806-3548**    **EM info@flightlight.com**

## Obstruction Light Solar Power System

### Compliance and Applications

Compliant with FAA Engineering Brief No. 76  
 L-810 fixture FAA approved under AC 150/5345-43G

Our Solar Power System allows obstruction lights to run with free, renewable energy from the sun. The system is designed as a compact, all-in-one solar system, completely self contained for easy installation. The high efficiency, compact design provides end users with a lightweight, maintenance free power solution, requiring minimal surface area for installation. The system is ideal for remote airstrips where hard-wired infrastructure is unavailable. Every system is custom designed for a specific location to ensure years of trouble-free, solar powered service.

### Advantages

#### Decreased Costs

With zero electricity costs, simple installation and almost no maintenance, the system quickly realizes long-term cost savings.

#### Experience = Reliability

With over 25 years experience in designing solar power systems, our solar experts will ensure a system that operates reliably, regardless of the installation location.

### Specifications

#### Mechanical

Mounting: Side of pole or pole top mount  
 Weight & Dimensions: 20W = 15" x 16" x 6", 25 lb.;  
 40W = 31" x 15" x 6", 50 lb.  
 Enclosure and Mount: 6061-T6 Powder Coated (Aluminum)

#### Electrical

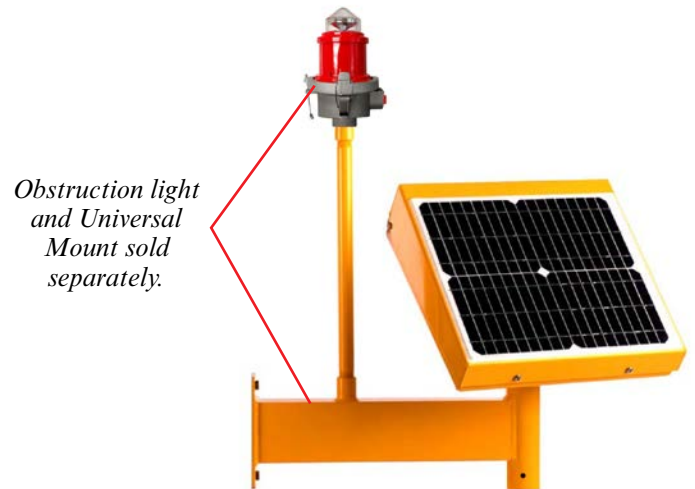
Flash / Charge Controller: Programmable. CSA and UL Certified.  
 Compliant to NEMA 4, IP65 ratings  
 - 12V Input/Output. Ensures batteries are not under or over charging.

Control Options: Self contained photocell; FAA-approved external photocell;  
 Continuous operation

Solar Module Technology: Crystalline & Amorphous  
 Solar Panel Life Expectancy: 25 years  
 Operating Voltage: 12VDC  
 Solar Panel Power: 20 Watts or 40 Watts  
 Battery Type: Sealed Deep-Cycle Lead-Acid  
 Battery Size: 20W = 18 Ah SLA; 40W = 36 Ah SLA (3-5 years)

Optional Battery Upgrade: 16 Ah Deep Cycle, 32 Ah Deep Cycle Extended life (5-7 years)

Certification: CE and TUV certified  
 Available Housing Colors: Aviation Yellow, White, Olive Drab, Black



#### Environmental

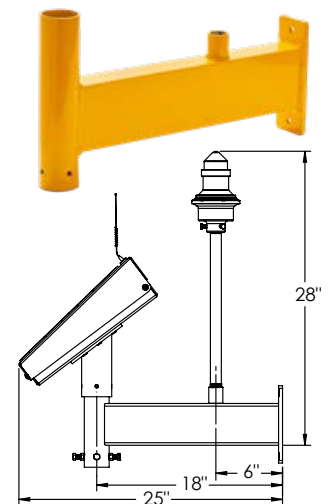
Operating Temperature: -55°C to +55°C (-67°F to +131°F)  
 Weather Protection: Enclosure is NEMA 4, IP65

#### Warranty

Warranty: 5 years Solar System, 1 year Battery

#### 18" Universal Mount

This optional mount makes for an easy and clean installation. Compatible with 20W and 40W Solar Engines. Includes mount, 2" collar, 1" NPT union, 1" NPT nipple / 14" long to mount L-810 obstruction light (single or dual). Compatible with 2" baseplate for surface mounting (sold separately). Model number: SP-SS-UM-18.



### Ordering Code

Model	Solar Panel	Photocell
SP	20W-OB: 20W Solar Panel 40W-OB: 40W Solar Panel	NP: No Photocell P: Built-in Photocell
SP-SS-UM-18	18" Universal Mount	

\* FL-810(L,LNV)-R-DC LED obstruction light(s) sold separately.

Visit our web site: [www.flightlight.com](http://www.flightlight.com)