



Flight Light Inc.
2708 47th Ave.
Sacramento, California, U.S.A.
95822-3806

atg airports (formerly ALSTOM)

**ZA480 Series High Intensity
Runway and Threshold/End Inset Light**

FAA Certified: L-850A

FAA Compliant: L-850C, D, E; L-852G, S

ICAO Annex 14

PH (916) 394-2800 FX (916) 394-2809
TF (800) 806-3548 EM info@flightlight.com

Compliance and Applications

FAA Certified: L-850A
FAA Compliant: L-850C, D, E;
L-852G, S
AC 150/5345-46A, E-2491
ICAO Annex 14
Category I, II and III all weather
operation airfield lighting systems.

Suitable for use as high intensity inset
runway approach, siderow barrette,
runway threshold, threshold wingbar,
combined threshold/end or runway end.

Why Our ZA480 is Better

- ✓ Lightweight and robust aluminum alloy construction.
- ✓ Prism removal and replacement achieved without need for adhesives or sealants.
- ✓ Pre-focused optics simplify maintenance.
- ✓ Pressure test plug ensures moisture-proof light cavity.
- ✓ Installation and maintenance manual AVD 108.

Specifications

- Low profile: 0.5" (12.7mm) projection.
- 12" diameter fixture reduces installation cost and eases maintenance.
- Standard adaptor rings to retrofit 15" and 15.5" bases.
- Long life halogen lamps: 1,500 hours at full intensity. Over 3,500 hours in normal use.
- 6.6a from 100w, 200w or 300w isolating transformer.
- Anodized gray finish with stainless steel fasteners.
- Net weight 20.5 lb. (9.3kg). Gross weight 22 lb. (10kg). Carton size 6 in. x 13 in. x 13 in. (150mm x 330mm x 330mm).



*ZA480 series
bidirectional/unidirectional
high intensity inset light.*



*ZA480 series
unidirectional high
intensity inset light.*

APPLICATION VARIATIONS

FAA#	Application	Config.	Lamps	Color	Fixture
L-850A	Runway Centerline	Bidirectional	2	White	ZA484W
L-850C	Runway Edge	Bidirectional	2	White/White	ZA483WW
L-850C	Runway Edge	Bidirectional	2	White/Yellow	ZA483YW
L-850C	Runway Edge	Bidirectional	2	Yellow/White	ZA483YW
L-850D	Combined Threshold/ Runway End	Bidirectional	2	Green/Red	ZA488
L-850E	Threshold	Unidirectional	2	Green	ZA485G
L-852G	Guard Light	Unidirectional	2	Yellow	ZA489G
L-852S	Stop Bar Light	Unidirectional	2	Red	ZA489S
ICAO	Approach	Unidirectional	3	White	ZA480

Visit our web site: www.flightlight.com



Flight Light Inc.
2708 47th Ave.
Sacramento, California, U.S.A.
95822-3806

PH (916) 394-2800 FX (916) 394-2809
TF (800) 806-3548 EM info@flightlight.com

atg airports (formerly ALSTOM)

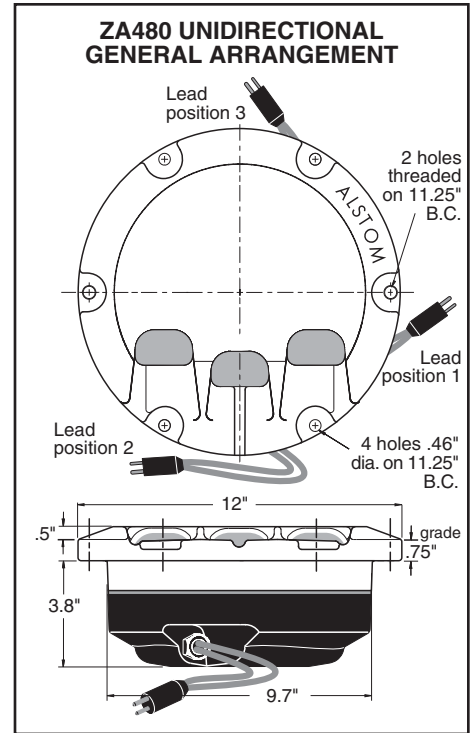
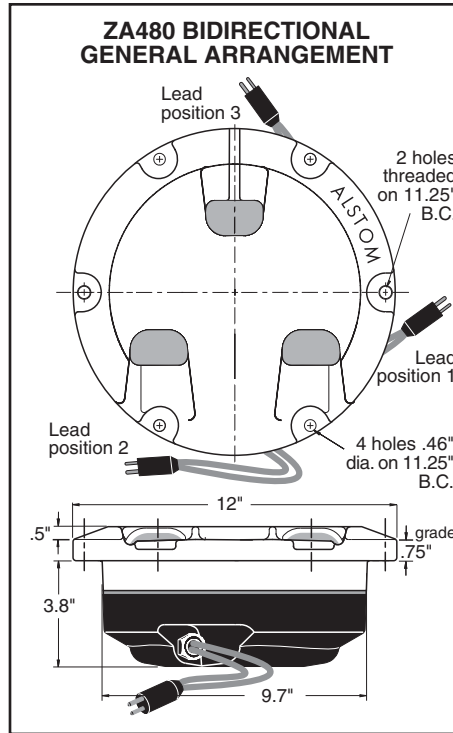
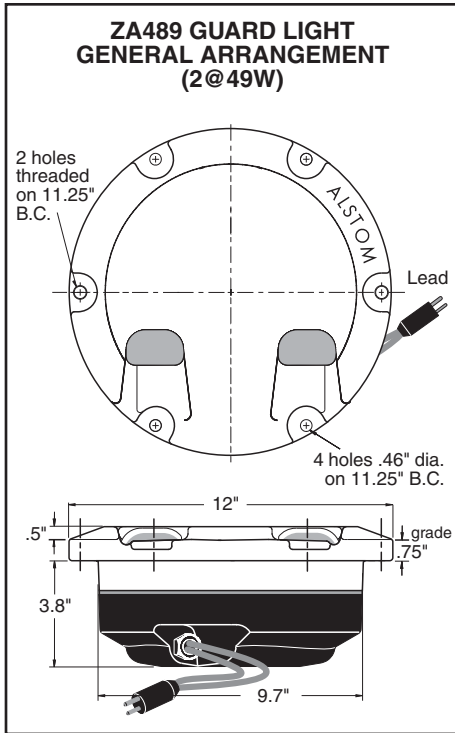
ZA480 Series High Intensity

Runway and Threshold/End Inset Light

FAA Certified: L-850A

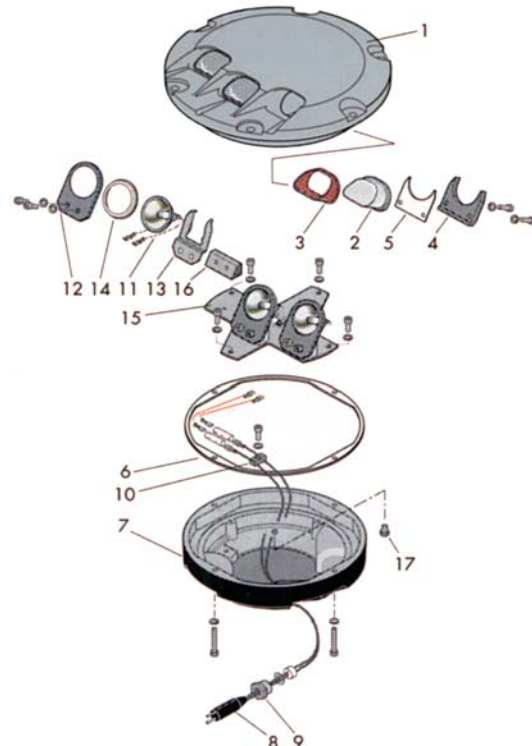
FAA Compliant: L-850C, D, E; L-852G, S

ICAO Annex 14



Common Replacement Parts

1	Body casting uni-direct. (anodized gray).....	80-040110
ALT	Body casting bi-direct. (anodized gray).....	80-040111
2	White (clear) prism.....	80-016069
ALT	Red prism.....	80-019141
ALT	Yellow prism.....	80-019153
ALT	Green prism.....	80-019154
ALT	Blank for prism aperture.....	80-040092
3	Prism gasket.....	80-033075
4	Prism retaining clamp.....	80-032037
5	Prism clamp gasket.....	80-033069
6	Bottom cover gasket.....	80-033076
7	Bottom cover casting (single lead).....	80-040112
ALT	Bottom cover casting (twin lead).....	80-040113
ALT	Bottom cover casting (three lead).....	80-040114
8	'B' type plug lead.....	80-013026
9	Cable gland assembly.....	80-01282/3/4
10	Cable clamp.....	80-021281
11	Reflector lamp 105W.....	LA-008075
12	Lampholder.....	80-032040
13	Lamp retaining spring.....	
14	Lamp gasket.....	80-033077
15	Mounting Plate - Approach, Siderow.....	80-021278
ALT	Mounting Plate - Runway edge.....	80-021280
ALT	Mounting Plate - Threshold (axial), runway end.....	80-021279
ALT	Mounting Plate - Threshold (LHT), runway end.....	80-021287
ALT	Mounting Plate - Threshold (RHT), runway end.....	80-021286
16	Lampholder support block.....	80-021285
17	Pressure test plug.....	80-021256



Visit our web site: www.flightlight.com