



Flight Light Inc.  
2708 47th Ave.  
Sacramento, California, U.S.A.  
95822-3806



PH (916) 394-2800    FX (916) 394-2809  
TF (800) 806-3548    EM info@flightlight.com

## FAA L-868 Light Base, Mud Plates, Flange Rings, Spacers, Extensions, and Two Part Base Cans

### L-868 Light Base Compliance and Applications

FAA: AC 150/5345-42H  
L-868 Load Bearing

Our FAA approved, load bearing light bases are designed for locations which experience aircraft and other heavy vehicular loading. The base typically supports an in-pavement light fixture and houses a powering isolation transformer. It can also be used solely as a junction box or transformer housing.

#### Load Bearing Standard FAA L-868 Sizes:

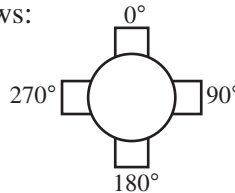
- A = 9" dia. (7-1/4" bolt circle)
- B = 12" dia. (11-1/4" bolt circle)
- C = 15" dia. (14-1/4" bolt circle)

#### Standard Height: 24"

**Material:** Hot dipped galvanized steel standard.

**Conduit Openings:** Grommets to accommodate 2" PVC standard. Hubs available. Other opening sizes are available.

**Conduit Locations:** Locations are designated based on a 360 degree circle as follows:

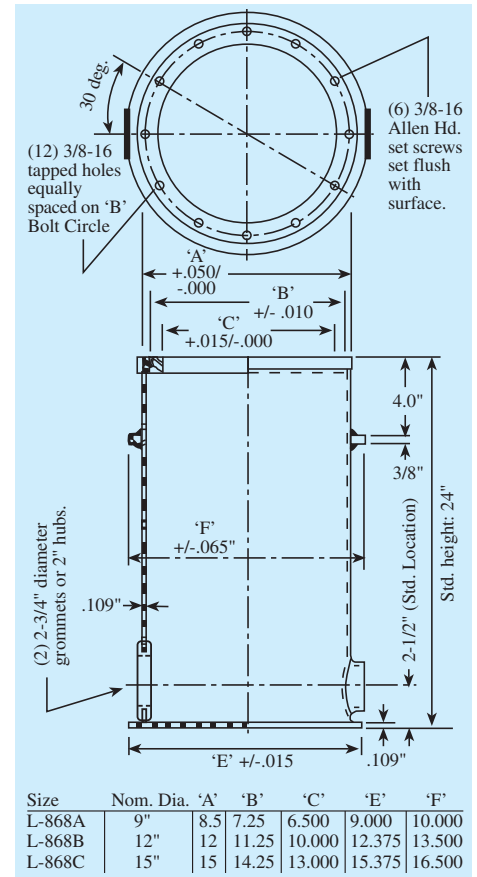


0° and 180° are standard. All conduit locations must be specified at time of order. Center of standard opening is 2-1/2" above the bottom of the light base.

**Shipping Info:** Shipped with 6 stainless steel bolts and a protective 1/2" thick plywood cover.

**Options:** Must be specified.

- **Grounding:** Grounding straps must be specified at time of order. Internal, external or both are available.
- **Drain holes:** 3/4" drain hole standard. Other sizes available. Please specify.
- **Other options:** Please specify as needed.



L-868 Light Base

### L-868 Light Base Ordering Code

Config.	Weight	Cube	Type	Configuration		Conduit Openings			Options		
				Size/Material/Dia./Height	Type	Standard Locations	Ground Strap	Drain Hole	Other		
L868A	41	1.22 cf	868	A=Steel/9" Dia./24" Height	G=Grommets for 2" PVC	2 (0°/180°)	0=None	0=None	0=None		
L868B	63	2.5 cf	868	B=Steel/12" Dia./24" Height	H=Hubs for 2" PVC	3 (0°/90°/180°)	I=Internal	D=3/4" hole	S=Specify		
L868C	78	2.7 cf	868	C=Steel/15" Dia./24" Height	J=Special grommet size K=Special hub size	4 (0°/90°/180°/270°) S (Specify, extra cost)	E=External Q=Internal & External	E=1" hole S=Specify			

Bid Item	Qty.	Prefix	Typical light base configuration for a runway centerline in-pavement light.						
	30	868	B	G	2	0	D	0	
	30	868							
	30	868							
	30	868							
	30	868							

Visit our web site: [www.flightlight.com](http://www.flightlight.com)

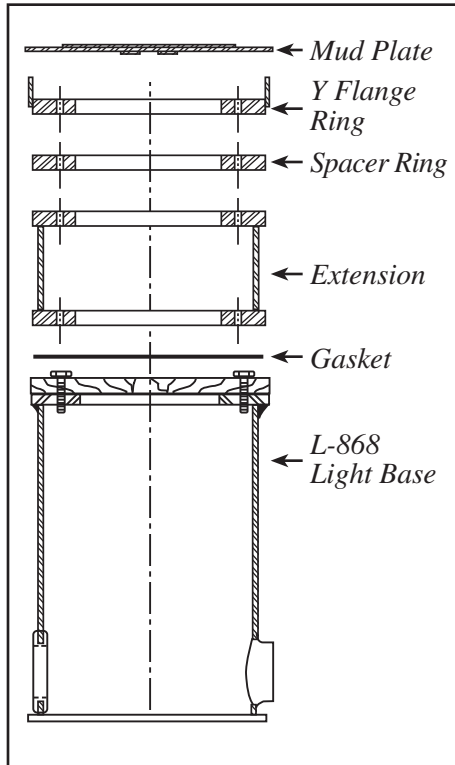


Flight Light Inc.  
2708 47th Ave.  
Sacramento, California, U.S.A.  
95822-3806



PH (916) 394-2800 FX (916) 394-2809  
TF (800) 806-3548 EM info@flightlight.com

## FAA L-868 Light Base, Mud Plates, Flange Rings, Spacers, Extensions, and Two Part Base Cans



L-868 Installation Configuration

### L-868 Mud Plates

- Usually shipped installed on base.
- Steel construction with hot dip galvanized finish.

Mud Plate: mm in ( )

Part #	Diam.	Bolt Circle
30-5117	10.375" (264)	8.25" (210)
30-5127	10.375" (264)	9.25" (235)
30-5417	12.375" (314)	10.25" (260)
30-5427	12.375" (314)	11.25" (286)
30-5517	15.375" (391)	13.25" (337)
30-5527	15.375" (391)	14.25" (362)

### L-868 Y Flange Rings (Concrete Ring)

- Height: 3/8" to 3/4".
- Steel construction, zinc plated with O.D. wash.
- Gasket sold separately.

Y Flange Ring: Height 3/8" to 3/4" - mm in ( )

Part #	Diam.	Bolt Circle	Height*	Flange
30-5102	10.125" (257)	9.25" (235)	X	Y
30-5402	12.125" (308)	11.25" (286)	X	Y

\* Specify height in sixteenths. (9 = 9/16)

### L-868 Spacers and Extensions

- Spacer height: 1/16" to 1-7/8"
- Extension height: 2" to 8".
- Steel construction with hot dip galvanized finish.
- Gasket sold separately.

Spacers: Height 1/16" to 1-7/8" - mm in ( )

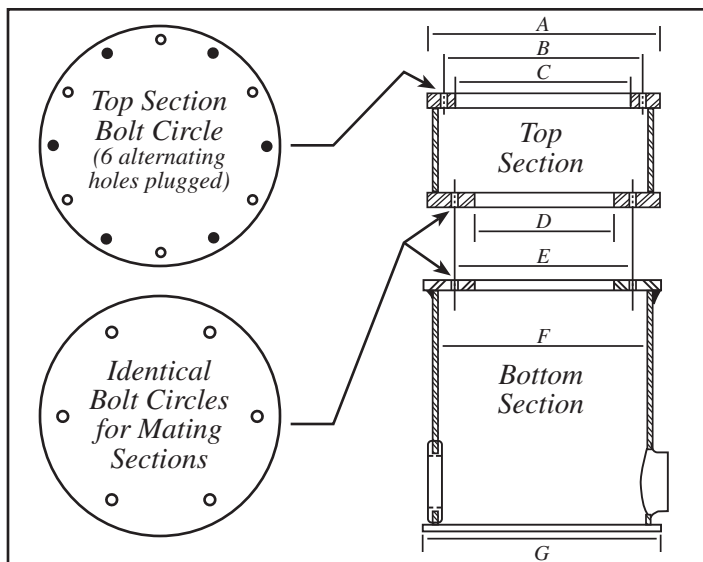
Part #	Diam.	Bolt Circle	Height*
30-5121	10" (254)	9.25" (235)	X
30-5421	12" (305)	11.25" (286)	X
30-5521	15" (381)	14.25" (362)	X

\* Specify height in sixteenths. (9 = 9/16)

Extensions: Height 2" to 8" - mm in ( )

Part #	Diam.	Bolt Circle	Height*
30-1529X	10.5" (267)	9.25" (235)	X
30-2419X	12.5" (318)	11.25" (286)	X
30-3519X	15.5" (394)	14.25" (362)	X

\* Specify height (2" minimum).



L-868 Two Part Base Can

### L-868 Two Part Base Cans

- Facilitates overlay paving.
- Steel construction with hot dip galvanized finish.

Top Section: mm in ( )

Part #	A	B	C	D	E	Height*
30-1529F (L868A)	10" (254)	9.25" (235)	8" (203)	6" (152)	8.25" (210)	X
30-2419F (L868B)	12" (305)	11.25" (286)	10" (254)	9.25" (235)	10.25" (260)	X
30-3519F (L868C)	15" (381)	14.25" (362)	13" (330)	12.375" (314)	13.25" (337)	X

Bottom Section: mm in ( )

Part #	D	E	F	G	Height*
30-4120 (L868A)	6" (152)	8.25" (210)	10" (254)	10.375" (264)	X
30-4420 (L868B)	9.25" (235)	10.25" (260)	12" (305)	12.375" (314)	X
30-4520 (L868C)	12.375" (314)	13.25" (337)	15" (381)	15.375" (391)	X

\* Specify height (Top Section 2" minimum; Bottom Section 12.5" standard).

Visit our web site: [www.flightlight.com](http://www.flightlight.com)