



Flight Light Inc.
2708 47th Ave.
Sacramento, California, U.S.A.
95822-3806

PH (916) 394-2800 FX (916) 394-2809
TF (800) 806-3548 EM info@flightlight.com

ICAO Low Intensity Obstruction Light Type A & B Avlite

Compliance

- Low Intensity Type A & B Obstruction Light, ICAO Annex 14 Volume 1, 'Aerodrome Design and Operations', Fourth edition July 2004, table 6.3.

Applications

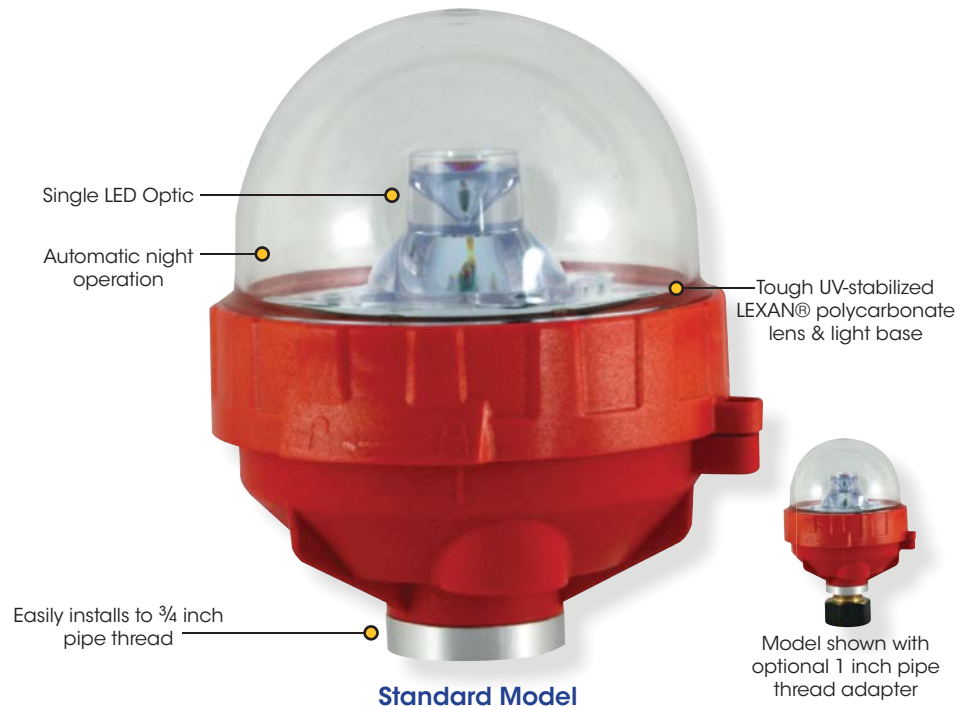
- ICAO LIOL Type A & B for marking obstacles that do not exceed 45 meters in height.

Features

- Cost effective, energy efficient obstruction lighting solution.
- Available in universal DC: will accept between 12-48VDC.
- Available in universal AC: will accept between 110-240VAC.
- User-adjustable intensity to toggle between ICAO LIOL Type A (10cd) & LIOL Type B (32cd).
- Alarm contact for remote monitoring.
- Light sensor for day/night operation.
- LED technology reduces maintenance time and costs.
- Easily retrofits with existing installations.
- Optional solar powered configurations available.
- Optional combined visual/IR for pilots using NVG.
- Optional RS422/485 communications port for monitoring DC version.

This Avlite light fixture is a steady burning, low intensity LED obstruction light designed to comply with ICAO LIOL Type A & B requirements. The model can be used for marking obstacles up to 45 meters above ground, such as telecommunication towers, wind turbines, buildings and other tall structures.

Avlite's LED obstruction lights offer an ultra bright, energy efficient and cost effective lighting solution. Adjustable intensity settings allow the user to easily toggle between 10cd (Type A) and 32cd (Type B).



The light fixture is available in two configurations, universal DC (12-48VDC) or universal AC (110-240VAC).

The advanced light optic uses a single LED for minimal power consumption. The corrosion resistant, polycarbonate lens is specifically designed for use with LEDs to maximize light intensity and uniformity.

The light fixture incorporates internal diagnostic checking and an alarm contact for remote monitoring. The alarm relay is energized in normal operation and is released whenever the LED is not lit.

The unit is available with either a 3/4 or 1 inch thread type - making it simple to retrofit with existing installations.

The obstruction light is also available with combined visual and infrared (IR) for visibility to pilots using night vision.

Visit our web site: www.flightlight.com



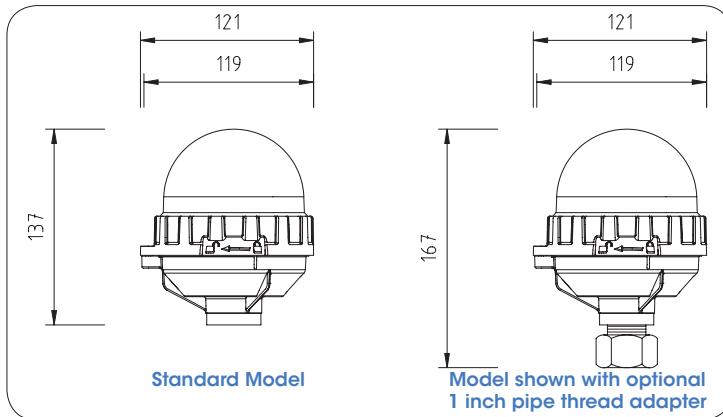
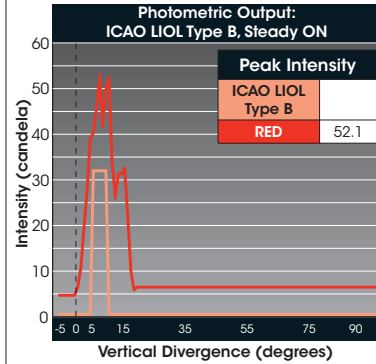
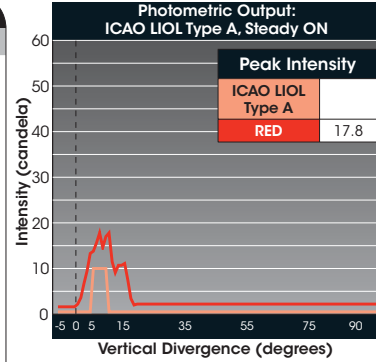
Flight Light Inc.
 2708 47th Ave.
 Sacramento, California, U.S.A.
 95822-3806

**ICAO Low Intensity
 Obstruction Light
 Type A & B
 Avlite**

PH (916) 394-2800 FX (916) 394-2809
TF (800) 806-3548 EM info@flightlight.com

SPECIFICATIONS * *	AV-OL-ILAB-12-R 12-48 VDC	AV-OL-ILAB-UM-R 110-240 VAC
Light Characteristics		
Light Source	As tested AV-OL-ILA-12-R LED & AV-OL-ILB-12-R LED	As tested AV-OL-ILA-UM-R LED & AV-OL-ILB-UM-R LED
Available colors	Red as standard. Other colors available on request, including IR	Red as standard. Other colors available on request, including IR
Peak Intensity (cd) †	360	360
Horizontal Output (degrees)	As per ICAO Type A/B specification	As per ICAO Type A/B specification
Vertical Divergence (degrees)	Single LED Optic	Single LED Optic
Reflector Type	User-adjustable between 10cd & 32cd	User-adjustable between 10cd & 32cd
Intensity Adjustments	>100,000	>100,000
LED Life Expectancy (hours)		
Electrical Characteristics		
Current Draw (mA)	@ 12V: ICAO LIOL Type A @ 10cd Steady-on with relay energized: I _{max} = 65 ICAO LIOL Type B @ 32cd Steady-on with relay energized: I _{max} = 120	@ 240V: ICAO LIOL Type A @ 10cd Steady-on with relay energized: I _{max} = 4 ICAO LIOL Type B @ 32cd Steady-on with relay energized: I _{max} = 8
Circuit Protection	Integrated	Integrated
Operating Voltage	12 - 48 VDC	110 - 240 VAC
Temperature Range	-40 to 80°C	-40 to 80°C
Physical Characteristics		
Body Material	LEXAN® Polycarbonate - UV stabilized	LEXAN® Polycarbonate - UV stabilized
Lens Material	LEXAN® Polycarbonate - UV stabilized	LEXAN® Polycarbonate - UV stabilized
Lens Diameter (mm/inches)	100 / 3 7/8	100 / 3 7/8
Lens Design	Single LED Optic	Single LED Optic
Mounting	Standard Model: 3/4 inch pipe thread	Standard Model: 3/4 inch pipe thread
Height (mm/inches)	Standard Model: 137 / 5 1/2	Standard Model: 137 / 5 1/2
Width (mm/inches)	121 / 4 3/4	121 / 4 3/4
Mass (kg/lbs)	0.4 / 7/8	0.4 / 7/8
Product Life Expectancy	Up to 12 years	Up to 12 years
Environmental Factors		
Humidity	0 to 100%, MIL-STD-810F	0 to 100%, MIL-STD-810F
Icing	22kg per square inch	22kg per square inch
Wind Speed	Up to 160kph	Up to 160kph
Certifications		
CE	EN61000-6-3:1997, EN61000-6-1:1997	EN61000-6-3:1997, EN61000-6-1:1997
Quality Assurance	ISO9001:2008	ISO9001:2008
ICAO	Low Intensity Obstruction Light Type A & B	Low Intensity Obstruction Light Type A & B
Waterproof	IP67	IP67
Intellectual Property		
Trademarks	AVLITE® is a registered trademark of Avlite Systems	AVLITE® is a registered trademark of Avlite Systems
Warranty * *	3 year warranty	3 year warranty
Options Available	<ul style="list-style-type: none"> Variety of solar/battery configurations Dual visual/IR output IR LED RS422/485 communications port Threaded adapter to fit one (1) inch pipe 	<ul style="list-style-type: none"> Dual visual/IR output IR LED Threaded adapter to fit one (1) inch pipe

* Specifications subject to change or variation without notice
 † Subject to standard lens and conditions
 ‡ Intensity setting subject to solar availability



HOW TO ORDER

AV-OL-ILAB-[Model]-[?]

Product No.: _____

Model:
 12 = 12-48 VDC
 UM = 110-240 VAC

Color:
 R = Red
 IR = Infrared
 RIR = Combined Red/IR

Visit our web site: www.flightlight.com