



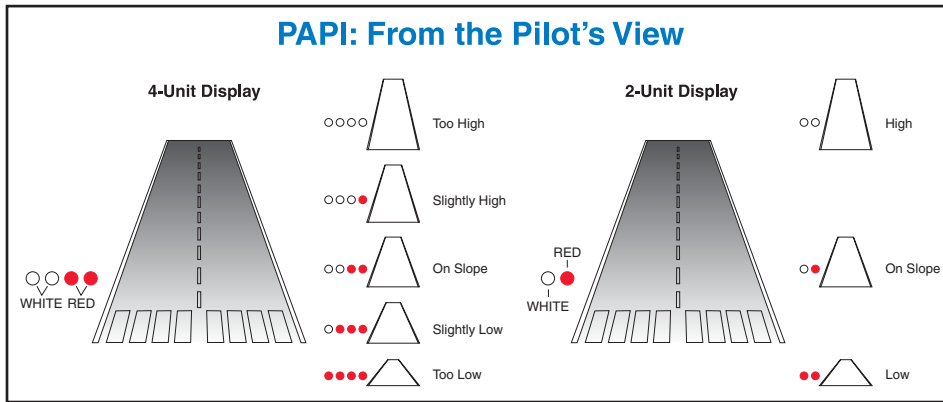
Flight Light Inc.  
2708 47th Ave.  
Sacramento, California, U.S.A.  
95822-3806



Flight Light PAPI  
(Precision Approach Path Indicators)  
ZA757 and ZA737

PH (916) 394-2800 FX (916) 394-2809  
TF (800) 806-3548 EM info@flightlight.com

## Read the Right Glide Slope From Over Ten Miles Out!



Four legs equipped with frangible floor flanges provide extra stability.

The precision approach path indicator (PAPI) provides the pilot with a safe and accurate glide slope on final approach to the runway. A row of PAPI light housing assemblies (LHAs) placed perpendicular to the approach path are seen by the pilot in combinations of red and white to indicate a path that is too high, too low or correctly on slope.

### Configuration Options

The four-box PAPI system consists of four LHAs that use either 2 lamps (ZA757) or 3 lamps (ZA737). The 3 lamp configuration permits normal operation with one lamp out.

The two-box PAPI system uses only two LHAs and provides simplified glide slope information. The PAPI can be configured to read white/green/red for use on heliports.

### Power Options

Three energy styles are available:

**Style A** operates from a 240VAC (120V is also available), single phase, 60 Hz power supply. 120V and 50Hz are also available.

**Style B** is current powered and operates on 6.6 amp series circuits from an L828 constant current regulator. Lamp brightness is controlled by the output setting on the regulator.

**Style C** is a 48V system powered by auto batteries. This style is of particular value on remote airstrips where it would be uneconomical to bring in power lines.

### Operating Conditions

PAPIs are manufactured to meet two temperature standards: Class I for normal operation to as low as -35° C, and Class II, with lens heaters, for temperatures to -55° C.

### Photometrics

**Flight Light PAPIs have the most reliable photometrics in the industry.** On a normal day a 2-lamp PAPI unit is visible from over 10 miles out. Light distribution curves far exceed FAA requirements.

For FAA style units, a tilt-switch in each PAPI shuts down the entire system if any unit becomes misaligned.

### Acquisition Range

Clear Weather	ZA737 (3-lamp unit)	ZA757 (2-lamp unit)
Normal Day	11.8 miles (19 km)	10.6 miles (17 km)
Bright Day	5.4 miles (8.7 km)	4.6 miles (7.4 km)

The PAPI projects a distortion free beam of uniform intensity over ten degrees of azimuth and is effective to within 1000 ft. of touchdown.

### Installation and Maintenance

Manual: Style A (15-PAPI-AIM)  
Style B (15-PAPI-BIM)

Visit our web site: [www.flightlight.com](http://www.flightlight.com)



**Flight Light Inc.**  
 2708 47th Ave.  
 Sacramento, California, U.S.A.  
 95822-3806



**Flight Light PAPI**

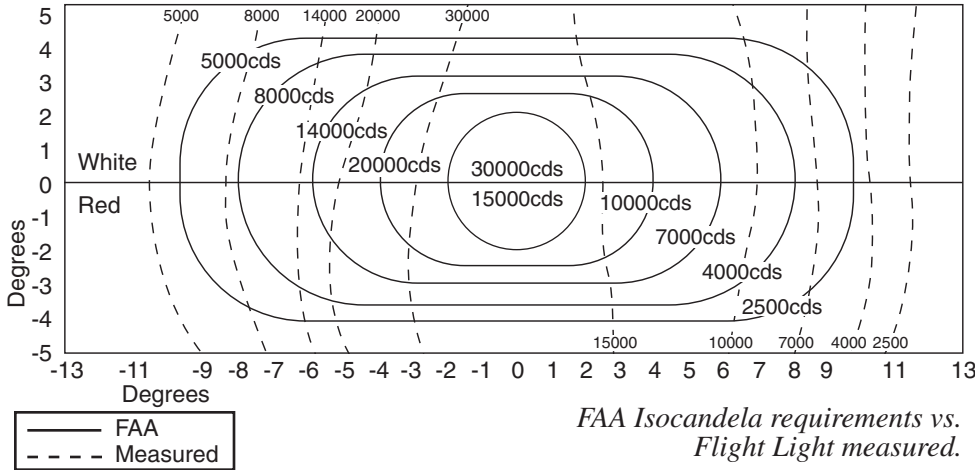
**(Precision Approach Path Indicators)**

**ZA757 and ZA737**

**PH (916) 394-2800**  
**TF (800) 806-3548**

**FX (916) 394-2809**  
**EM info@flightlight.com**

### Superior Light Distribution for ZA757 (2 lamp) PAPI



### Features

#### Performance Advantages

- ✓ Outstanding photometric performance. Pilots say they see this PAPI before they see any competing brand.
- ✓ Four-leg design makes each light housing assembly very stable, resulting in fewer shut-downs for realignment thereby reducing maintenance and increasing airfield utilization. (EMT legs not included with domestic orders.)
- ✓ LED indicator identifies tilt switch circuit fault.
- ✓ **Quartz halogen average rated lamp life is 1200 hours!**  
**Competitor's lamps rated at only 1000 hours.**

#### Maintenance Advantages

- ✓ Dust proof LHA is standard. Enhances lamp life, improves photometric performance and reduces maintenance cost.
- ✓ No optical bench or special tools required for servicing. Special access doors speed lamp changes in the field.

- ✓ Off-the-shelf lamps reduce life-cycle costs.
- ✓ Circuit breaker and on/off switch in power adapter (Style A) and in each LHA (Style B) protect equipment at all times.
- ✓ Extremely reliable power adapter features WAGO terminal blocks, gas-tight ferrelled connections and Teflon wire.

#### Options

- Custom configured remote control uses radio modems instead of hard wiring to control PAPIs.
- Aiming device simplifies setting tilt switch and azimuth angles.
- Interlock relay to operate PAPI in conjunction with runway lights.
- CHAPI heliport system (see side bar on next page)
- ICAO version (no tilt switch)
- International packing - four 2" EMT legs per LHA with all units and hardware double boxed.

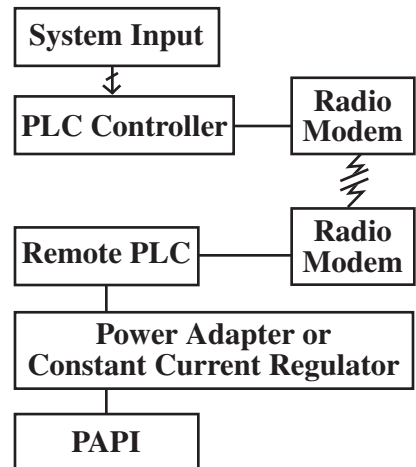
### Optional Aiming Device

Lamps are adjusted to the correct glide slope angle ( $\pm 3'$  of arc) by means of an optional aiming device kit equipped with a spirit level. The level is also used to adjust the tilt switch that is standard with both models.

### Interlock Relay Option

The interlock relay option operates PAPI in conjunction with runway lights.

### Custom Configured Remote Control



A wireless remote control system obviates the need for long runs of control wire to distant PAPIs. Where control wire must circle runways or control several devices, a radio modem remote system is a very cost effective alternative. Call for details.

**Visit our web site: [www.flightlight.com](http://www.flightlight.com)**



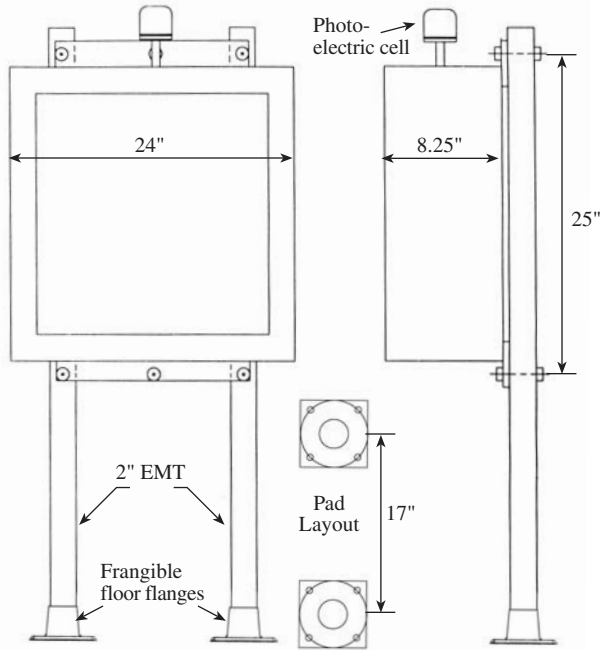
Flight Light Inc.  
2708 47th Ave.  
Sacramento, California, U.S.A.  
95822-3806



**Flight Light PAPI**  
**(Precision Approach Path Indicators)**  
**ZA757 and ZA737**

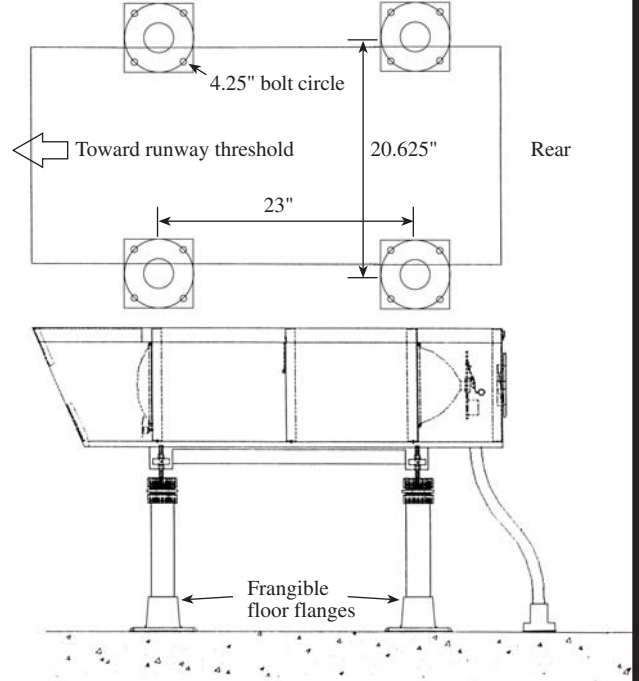
PH (916) 394-2800    FX (916) 394-2809  
TF (800) 806-3548    EM info@flightlight.com

**Power Adapter**



The power adapter is mounted on 2" EMT legs (not supplied) or wall mounted. A photoelectric control sensor adjusts the PAPI's brightness in response to ambient light conditions. Frangible floor flanges are included.

**ZA757 PAPI LHA (2 lamp) Unit**

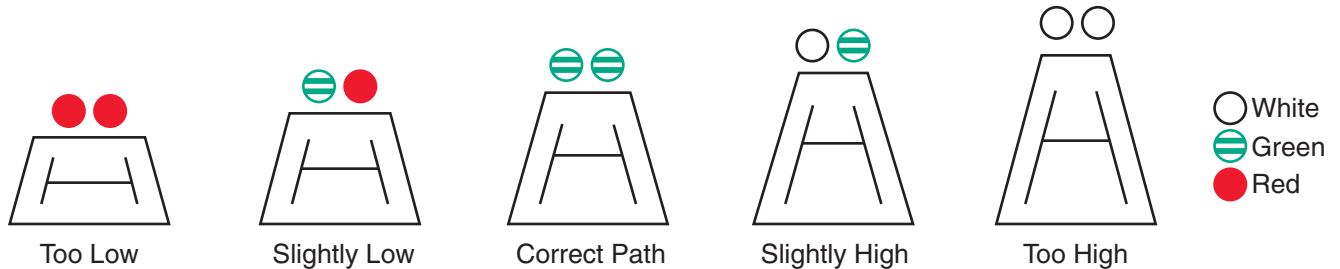


The PAPI light housing assembly (LHA) is supported by 2" EMT legs (not included). Flexible, water tight conduit and wiring (48"), frangible floor flanges and mounting hardware are provided. L867 bases and baseplates are sold separately.

**The CHAPI Heliport System**

The CHAPI system is similar to the two-unit PAPI but with a filter inserted between the white and red filters of each lens to provide a 2° wide green

sector that, when visible from both units, signals the proper glide slope angle of 6°. Angle deviations that are too high show one or two white lights, and those that are too low show one or two red lights.



Visit our web site: [www.flightlight.com](http://www.flightlight.com)



Flight Light Inc.  
2708 47th Ave.  
Sacramento, California, U.S.A.  
95822-3806



Flight Light PAPI

(Precision Approach Path Indicators)

ZA757 and ZA737

PH (916) 394-2800

FX (916) 394-2809

TF (800) 806-3548

EM info@flightlight.com

## Features and Characteristics

- Fully gasketed dust proof light housing assembly (LHA) improves performance and reduces maintenance (**standard feature**).
- Large lens overhang and optional heaters forward of the lenses allow continuous operation under severe arctic conditions.
- Input power:  
4-Box PAPI 1,800 VA  
2-Box PAPI 1,000 VA
- Standard input voltage: 240 VAC,  $\pm 10\%$
- Lamps: 200 watts, 6.6 amp quartz halogen
- Rated lamp life: 1,200 hours
- Environmental operating conditions:  
Class I:  $+55^{\circ}$  to  $-35^{\circ}$  C  
( $+131^{\circ}$  to  $-31^{\circ}$  F)  
Class II:  $+55^{\circ}$  to  $-55^{\circ}$  C  
( $+131^{\circ}$  to  $-67^{\circ}$  F).  
Humidity: 0% to 100%  
Wind: 100 mph (161 km/hr).
- Easy to maintain and relamp.

## Common Renewal Parts

### Part Description

Lamps: 200 W 6.6A quartz  
Frangible cast aluminum floor flange  
Tilt switch assembly  
Photo control 208-277 VAC  
CHAPI filter assembly (white/green/red)  
Filter spring  
Reflector assembly  
Resistor - 25 W, 0.47 ohm (lens heater Class 2 only)  
Relay, contactor - 30 amp DPDT, 240 VAC  
Tool for WAGO terminal blocks  
Timer, D-O-B adjustable - 24 VAC/DC  
Photo control base  
Precision spirit level, 6"

### Part Number

LA-6373  
15-FFF2X425  
15-201TSA  
77-104FAANTD  
15-CHAPIFILTERASSY  
80-021253  
80-021254  
77-RH25.47  
77-W199AX-15  
77-777-310  
77-RTE-P21  
77-TB20199  
77-#98-6

## Packing Specifications

Description	ZA757	ZA737
Number of lamps	2	3
Net weight in lb.	42	55
Gross weight in lb.	53	75
Length in inches	48	48
Width in inches	22	32
Height in inches	15	15
Volume in cubic yd.	0.34	0.50
Lamp	2x200W/6.6A	3x200W/6.6A
Type	LA-6373	LA-6373
Transformer	2x200W/6.6A	3x200W/6.6A

## Ordering Codes

Num. of Systems	Num. of Aiming Dev.	Designation	Unit	Style	Voltage (Style A only)	Interlock Option (Style A only)	Class	Aiming Device Glide Slope
Specify	Specify	FL880: (4 LHAs) FL881: (2 LHAs)	ZA757: (2 lamps) ZA737: (3 lamps)	A: (voltage) B: (6.6 Amp) C: (48VDC)	1: (240V, 60Hz) 2: (120V, 60Hz) 3: (220V, 50Hz)	Y: Yes N: No	1: ( $-35^{\circ}$ C) 2: ( $-55^{\circ}$ C)	3 $^{\circ}$ : Standard Specify

--	--	--	--	--	--	--	--	--

Visit our web site: [www.flightlight.com](http://www.flightlight.com)