



Flight Light Inc.
2708 47th Ave.
Sacramento, California, U.S.A.
95822-3806

atg airports (formerly ALSTOM)
**ZA280 Inset Medium Intensity
Taxiway Centerline Light**
FAA Compliant: L-852A, B, C and D,
NATO Stanag 3316, ICAO Annex 14

PH (916) 394-2800 FX (916) 394-2809
TF (800) 806-3548 EM info@flightlight.com

Compliance and Applications

FAA Compliant: L-852A, B, C and D
AC 150/5345-46D
NATO Stanag 3316
ICAO Annex 14

Category I, II and III all weather operation airfield lighting systems. Suitable for use as high intensity inset taxiway centerline and stop-bar lights.

Why Our ZA280 is Better

- ✓ Body of high tensile cast aluminum for strength and durability.
- ✓ Prism removal and replacement achieved without need for adhesives or sealants.
- ✓ Pre-focused optics.
- ✓ Simple maintenance.
- ✓ Plug for pressure testing.
- ✓ Installation and maintenance manual AVD 106.

Specifications

- Low profile: .4 in. (10mm) projection.
- Stress bearing: 11 tons dynamic load and 22 tons static load.
- Long life halogen lamps: 1500 hours at full intensity. Dichroic reflector with male leads.
- Color variations achieved by using color specific filters.
- Standard adaptor rings to suit 12" L868B base and 15.5" bases.
- Functions with 6.6a, 45w, or 100w isolating transformer.
- Corrosion resistant anodized finish or powder coated golden yellow finish. Stainless steel fasteners.
- Anodized finish fixtures: 7.25" B.C.
- Golden yellow finish fixtures: 7" B.C. (restricted to existing customers and replacements)
- Net weight 6.6 lb (3kg). Gross weight 7.7 lb (3.5kg). Carton size 9 in. x 9 in. x 5.7 in. (230mm x 230mm x 146mm)
- FAA Compliant L852A, B, C, & D using only one 48W lamp.



Ordering Code

Fixture	Color/Color	Lamp
80-ZA280A	W: White	48: 48W, 6.6A
	B: Blue	50: 50W, 120V
	G: Green	52: 50W, 240V
	R: Red	
	Y: Yellow	
	X: Blank	

	Color/Color		
80-ZA280A			

Anodized finish fixtures (7.25" B.C.): Order with 30-AA122820 adapter ring if mounting on L868B base, sold separately.
Golden yellow finish fixtures (7" B.C.): Order with 80-009090 adapter ring if mounting on L868B base, sold separately (golden yellow fixtures restricted to existing customers and replacements).

Visit our web site: www.flightlight.com



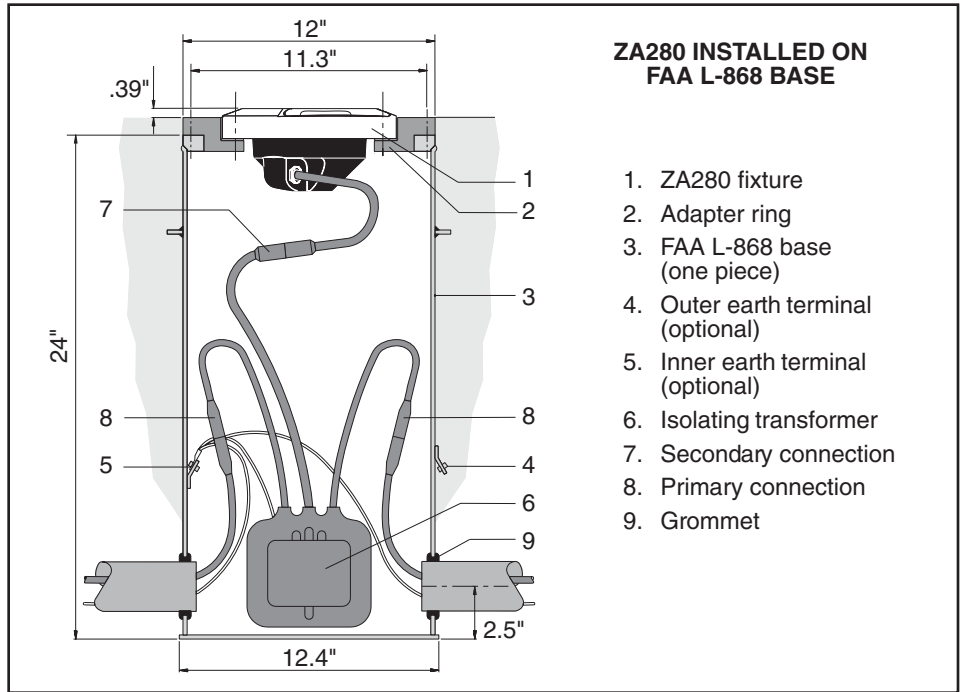
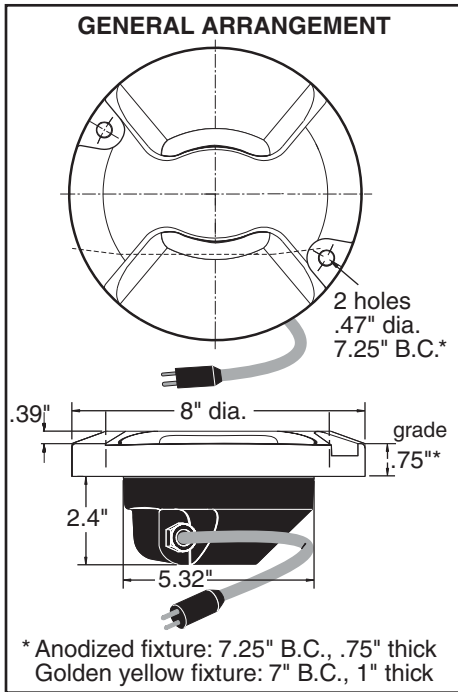
Flight Light Inc.
 2708 47th Ave.
 Sacramento, California, U.S.A.
 95822-3806

PH (916) 394-2800
 TF (800) 806-3548

FX (916) 394-2809
 EM info@flightlight.com

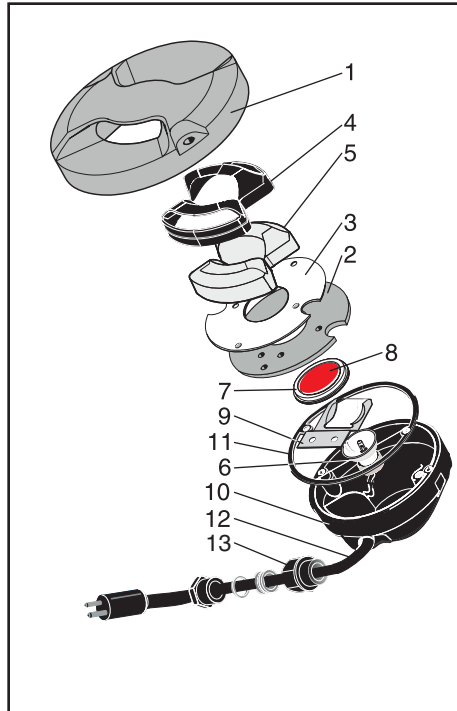
atg airports (formerly ALSTOM)
ZA280 Inset Medium Intensity
Taxiway Centerline Light

FAA Compliant: L-852A, B, C and D,
NATO Stanag 3316, ICAO Annex 14



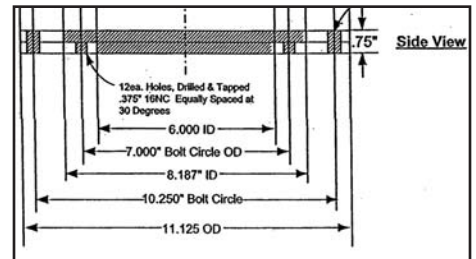
Common Replacement Parts

1. Body casting
2. Prism clamp 80-021268
3. Prism clamp gasket 80-033072
4. Prism gasket (2) 80-033071
5. Glass prisms (1 or 2)
 white (clear) 80-016072
 blank 80-040102
6. 48w 6.6a MR16 lamp LA-008065
7. Lamp gasket 80-033064
8. Filter
 red 80-019155
 green 80-019156
 yellow 80-019157
 blue 80-019201
9. Lamp retaining spring 80-032039
10. Bottom cover
11. Bottom cover gasket 80-033080
12. 'B' type plug lead 80-013001
13. Cable gland assembly 80-021114/5/6



Mounting Configurations

L-868B 8"-12" Adapter/Flange Ring
 Anodized fixture (7.25" B.C.): 30-AA122820
 Golden yellow fixture (7" B.C.): 80-009090



L-867B Adapter/Flange Ring
 (2 piece for mounting under can flange)
 P/N 30-867A8-12-2

Visit our web site: www.flightlight.com



Flight Light Inc.
2708 47th Ave.
Sacramento, California, U.S.A.
95822-3806

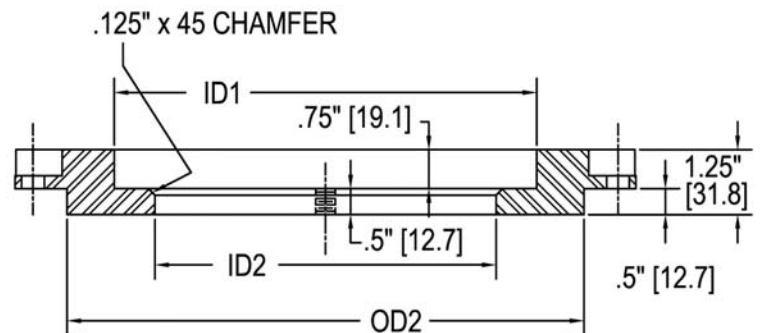
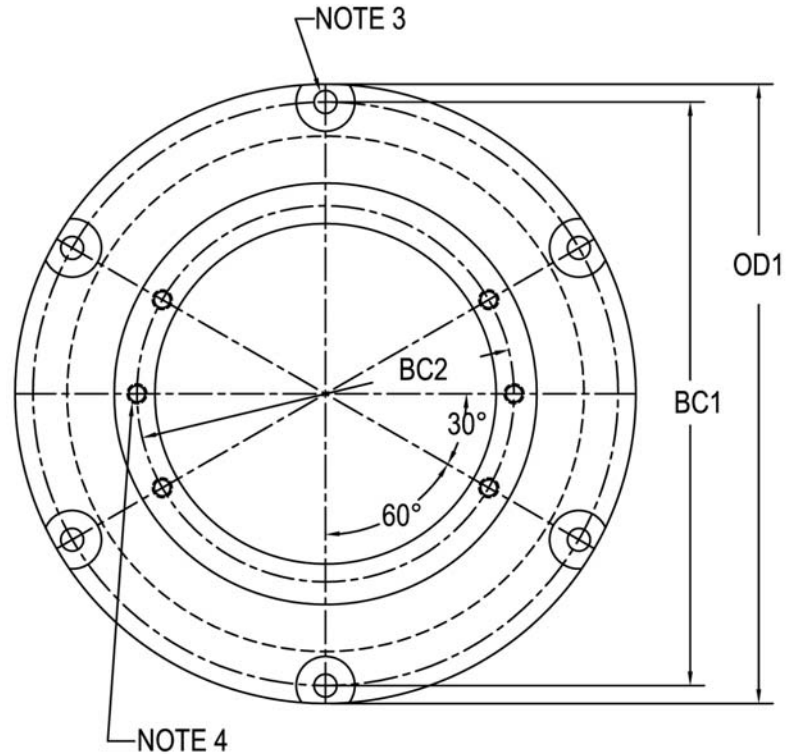
atg airports (formerly ALSTOM)
ZA280 Inset Medium Intensity
Taxiway Centerline Light
FAA Compliant: L-852A, B, C and D,
NATO Stanag 3316, ICAO Annex 14

PH (916) 394-2800 FX (916) 394-2809
TF (800) 806-3548 EM info@flightlight.com



L-868B 8''-12'' Adapter/Flange Ring (30-AA122820)

1. Approved and Certified to FAA Advisory Circular AC150/5345-42F
Size: B=12"
 2. Adapter Plates are galvanized to ASTM-A123/A123M-02
 3. (6) 7/16" \varnothing equally spaced, thru holes with 1-1/8" \varnothing x 1/2" deep counter bore
 4. Standard Plate: (6) 3/8"-16 tapped holes
Metric Plate: (6) M10-1.5 tapped holes
 5. Standard Adapter Plates are shipped with:
 - (2) 3/8"-16 x 1-1/4" SS hex head bolts (10650202)
 - (2) 3/8", 2 piece locking washers (10680607)
 - (1) Bolt Set (6100) containing:
 - (6) 3/8"-16 x 1" SS hex head bolts (10650198)
 - (6) 3/8", 2 piece locking washers (10680607)
- Metric Adapter Plates are shipped with:
- (2) M10x1.5x30mm SS hex head bolts (10652820)
 - (2) 3/8", 2 piece locking washers (10680607)
 - (1) Bolt Set (6100M) containing:
 - (6) M10x1.5x30mm SS hex head bolts (10652820)
 - (6) 3/8", 2 piece locking washers (10680607)



TYPE	OD1	BC1	OD2	ID1	BC2	ID2
30-AA122820	11.938" [303.2]	11.25" [285.8]	9.938" [252.4]	8.125" [206.4]	7.25" [184.2]	6.563" [166.7]

Add "M" to the end of the part number to note Metric Adapter Plate

[] = metric dimensions in mm

Visit our web site: www.flightlight.com