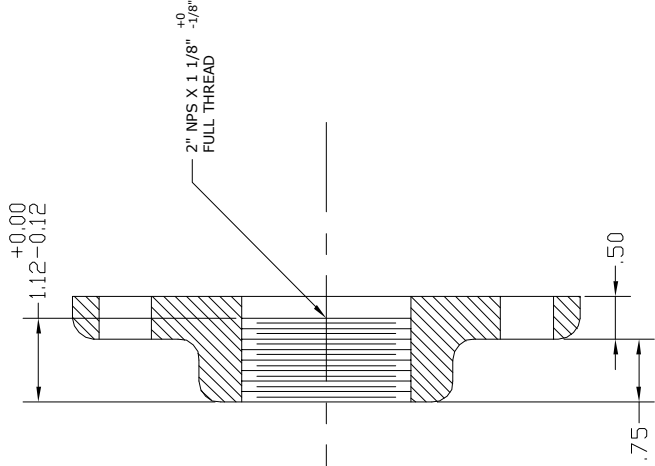
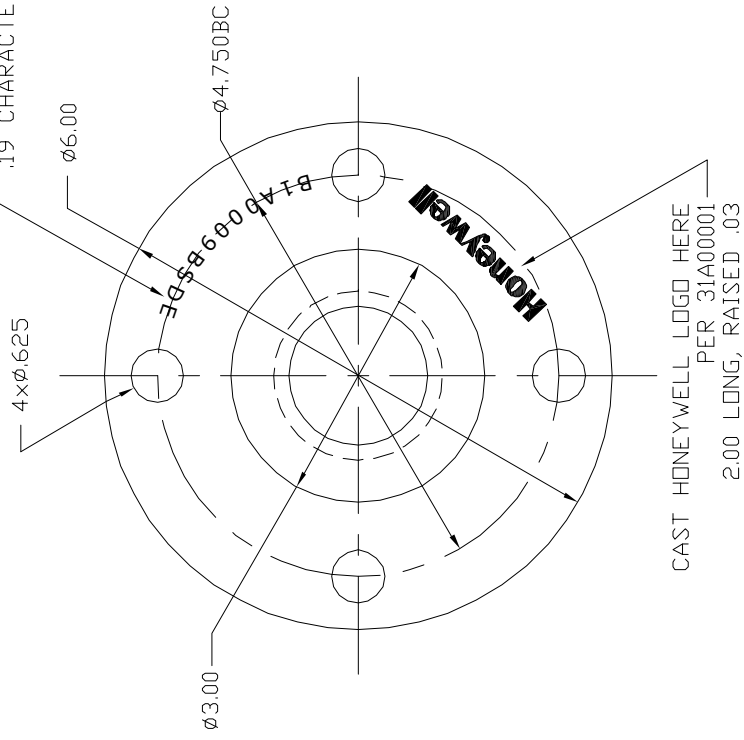


THIS DRAWING AND THE INFORMATION CONTAINED HEREIN IS PROPRIETARY TO HONEYWELL, AND ALL RIGHTS ARE RESERVED. NO PART OF THIS DRAWING OR THE INFORMATION CONTAINED HEREIN MAY BE REPRODUCED OR TRANSMITTED IN ANY FORM OR BY ANY MEANS, ELECTRONIC OR MECHANICAL, INCLUDING PHOTOCOPYING, RECORDING, OR BY ANY INFORMATION STORAGE AND RETRIEVAL SYSTEM, WITHOUT THE WRITTEN PERMISSION OF HONEYWELL.

CAST NUMBER SHOWN HERE  
.19 CHARACTERS, RAISED .03



REV	DESCRIPTION	DRAWN BY	DATE	APPROVED
A	ADDED -1 VERSION	7/7/77		
B	WAS DWG NO HM 6071			
C	REDRAWN	TC	10/10/80	
D	ADDED THD DEPTH	JS	8/9/88	
E	ECO 903, ADDED .5" CNF	CJM	10/12/00	
F	ECO 3954	RES	09/02/03	RES

CONFIGURATION TABLE

PART NO	MAKE FROM	DESCRIPTION
B1A0009SDE5	MAKE FROM "2"	PRIMED & PAINTED YELLOW $\Delta$
B1A0009SDE4	MAKE FROM "2"	CHEM COAT, PRIMED & PAINTED ORANGE $\Delta$
B1A0009SDE3	MAKE FROM "2"	PRIMED & PAINTED ORANGE $\Delta$
B1A0009SDE2	MAKE FROM "1"	MACHINED CASTING
B1A0009SDE1	SEE NOTE $\Delta$	RAW CASTING

REV	DATE	DESCRIPTION
10/13/80		
10/15/80		
10/20/80		

REV	DATE	DESCRIPTION
94295		
1/1		SAVED AS: (DWG)RevE.DWG

REV	DATE	DESCRIPTION
10/13/80		
10/15/80		
10/20/80		

- YELLOW PAINT PER CARDINAL # T009-YL14, FED-STD-013538, YELLOW
- INTERNATIONAL ORANGE ALKYD ENAMEL, PER FED-STD-595, NO 12197, TT-E-489, 3 COATS, 3 MILS.
- ZINC CHROMATE PRIMER TT-P-1757, COMP L, COLOR Y, ONE COAT.
- MATERIAL: AL AL 43 OR 214, PER QQ-A-601.
- DELETED.
- NOTES: UNLESS OTHERWISE SPECIFIED

Honeywell  
6" FLANGE, ALUM