



Flight Light Inc.
 2708 47th Ave.
 Sacramento, California, U.S.A.
 95822-3806

PH (916) 394-2800 FX (916) 394-2809
TF (800) 806-3548 EM info@flightlight.com

AV72
Radio-Controlled
Solar Aviation Light
Avlite

Features

- 2.4GHz worldwide accepted radio control
- 128bit security encryption
- NGV compatible using IR LEDs
- 3-step intensity adjustment
- High capacity replaceable battery pack
- Made from tough, durable polycarbonate
- Twin internal solar panels for enhanced charging

Compliance

- ICAO Annex 14 Volume 1, 'Aerodrome Design and Operations', Fourth edition July 2004, paragraph 5.3.17.7
- FAA AC5345-46D L861T (High Intensity Mode)
- FAA AC5345-50B L863 (High Intensity Mode)
- CASA Manual of Standards Part 139 paragraph 9.13.15.1 and 9.13.15.3 Section 9.2.2.1 (High Intensity Mode)

The AV72 is a self-contained solar powered omni-directional aviation light with encrypted 2.4 GHz radio control. The AV72 solar-powered LED airfield light has an internal RF module and antenna to receive encrypted command messages from the handheld controller.

The units provide NVG compatible visible and infrared LED outputs for portable, permanent or sustained operations. Lights can be controlled from a secure world-wide compatible 2.4 GHz RF link from the ATC tower from the aircraft (via ALSCU with an encrypted VHF radio link) or set for dusk-dawn automatic operation.

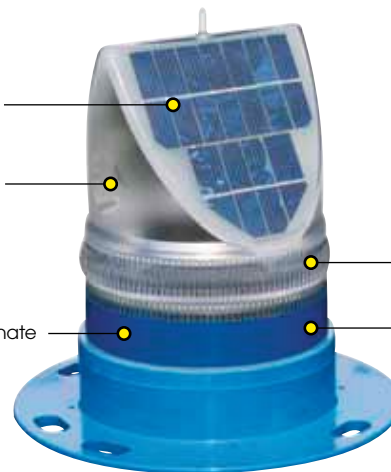
The radio system uses a mesh network to expand the working range indefinitely.

Lights can be assigned to a light group (up to 15 distinct groups) to allow individual control of separate light groups

Twin internal high-performance solar modules

Internal RF module & antenna

Tough UV-stabilized LEXAN® polycarbonate lens and light base



Encrypted 2.4GHz radio control

LED aviation lens with 0 to +10° vertical divergence

Band of retro-reflective tape

(runways, helipads, taxiways, obstruction) within an airfield or for multi faceted covert and overt operations.

The AV72 has 3 radio-controlled intensity settings, and can be set from dusk-till-dawn, medium intensity, or temporary-high mode for tactical operations. When set to temporary-high the light complies with L861T photometrics.

The AV72 offers enormous benefits over traditional battery and hard-wired airfield lights including low maintenance and no underground cabling.

The unit has twin high-performance solar modules mounted within the lens, which maximize solar collection and provide reliable operation in a range of environmental conditions.

The model will operate maintenance-free for many years, and has been tried and tested in some of the world's most demanding regions including Iraq, Afghanistan, and the Australian Outback.



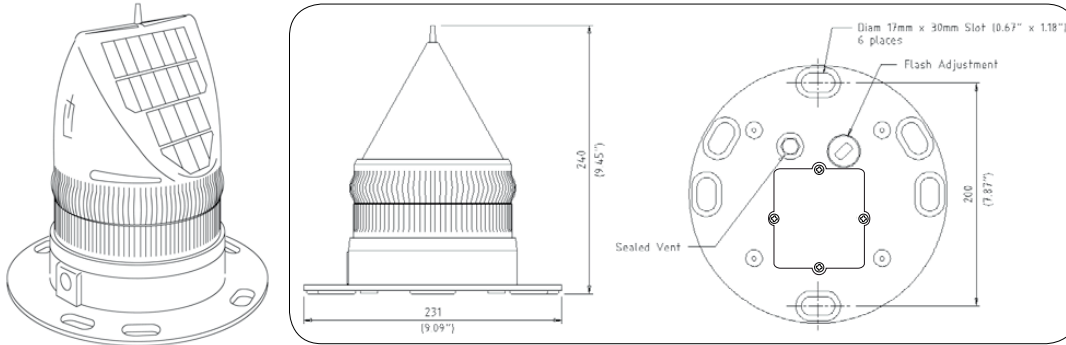
Visit our web site: www.flightlight.com



Flight Light Inc.
 2708 47th Ave.
 Sacramento, California, U.S.A.
 95822-3806

PH (916) 394-2800 FX (916) 394-2809
TF (800) 806-3548 EM info@flightlight.com

AV72
Radio-Controlled
Solar Aviation Light
Avlite



SPECIFICATIONS •

Light Characteristics

Light Source	12 visible ultra-high intensity LEDs and 6 infrared LEDs
Available Colors	Blue, Red, Green, White, Amber, Sectored Combinations
Horizontal Output (degrees)	360
Vertical Divergence (degrees)	0 to + 10
Reflector Type	Omnidirectional 360° LED Reflector (US Pat. No. 6,667,582, AU Pat. No. 778,918)
Available Flash Characteristics	>250 including fixed-on (user-adjustable)
Intensity Adjustments	Adjustable in 25% increments
LED Life Expectancy (hours)	>100,000

Electrical Characteristics

Operating Voltage (v)	3.6
Autonomy (nights)	>20 Low intensity steady-on dusk-til-ll-dawn mode
Temperature Range	-40 to 80°C

Solar Characteristics

Solar Module Type	Multicrystalline
Output (watts)	2.5 (2 x 1.25watt)
Solar Module Efficiency (%)	14
Charging Regulation	Microprocessor controlled

Power Supply

Battery Type	High grade NIMH - Environment friendly
Battery Capacity (Ah)	16
Nominal Voltage (v)	3.6

RF Synchronization

Frequency	2.4Ghz 15m band
Range	1.4km between 2 lights, relayed
Expandability	Peer to Peer Networking
Approvals	FCC / CE

Physical Characteristics

Body Material	LEXAN® Polycarbonate - UV stabilized
Lens Material	LEXAN® Polycarbonate - UV stabilized
Lens Diameter (mm/inches)	140 / 5½
Lens Design	External optics with interior flute design
Mounting	6 x 17mm holes on 200mm PCD
Height (mm/inches)	240 / 9½
Width (mm/inches)	231 / 9¼
Mass (kg/lbs)	1.65kg / 3lbs 10oz
Product Life Expectancy	Up to 12 years

Certifications

CE	EN61000-6-3:1997, EN61000-6-1:1997
Quality Assurance	ISO9001:2000
Waterproof	IP68

Intellectual Property

Patents	US Pat. No. 6,667,582, AU Pat. No. 778,918
Trademarks	AVLITE® is a registered trademark of Avlite Systems

Warranty *

3 years

• Specifications subject to change or variation without notice
 • Subject to standard terms and conditions

Visit our web site: www.flightlight.com

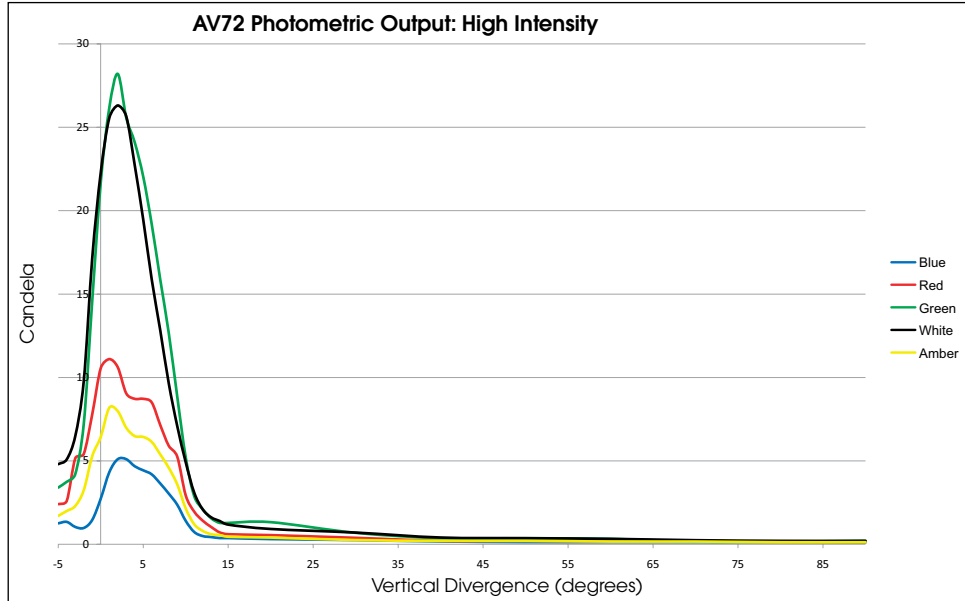


Flight Light Inc.
 2708 47th Ave.
 Sacramento, California, U.S.A.
 95822-3806

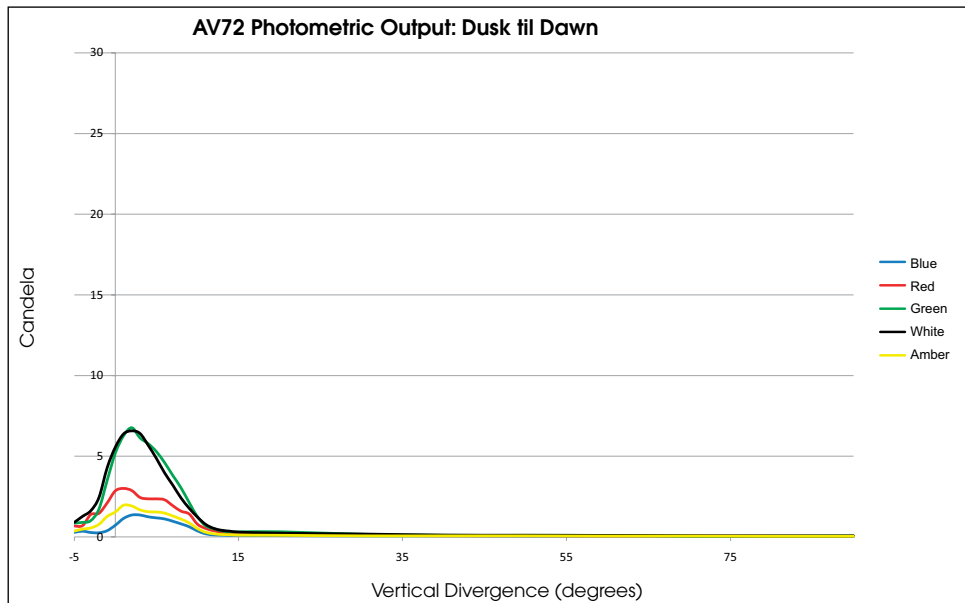
PH (916) 394-2800 FX (916) 394-2809
 TF (800) 806-3548 EM info@flightlight.com

AV72
Radio-Controlled
Solar Aviation Light
Avlite

Photometrics



Peak Intensity (High Intensity)	
BLUE	5.1
RED	11.1
GREEN	28.2
WHITE	26.3
AMBER	8.18



Peak Intensity (Dusk till dawn)	
BLUE	2.1
RED	3.16
GREEN	6.98
WHITE	6.82
AMBER	3.14

Visit our web site: www.flightlight.com