

ZA280DL | L-852DL

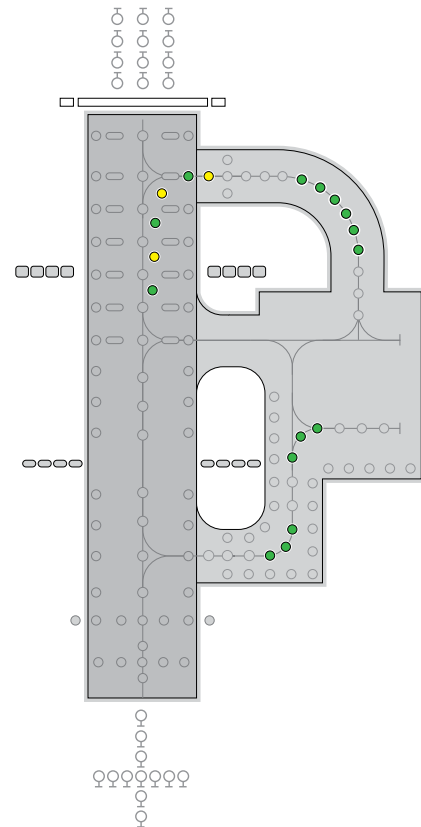
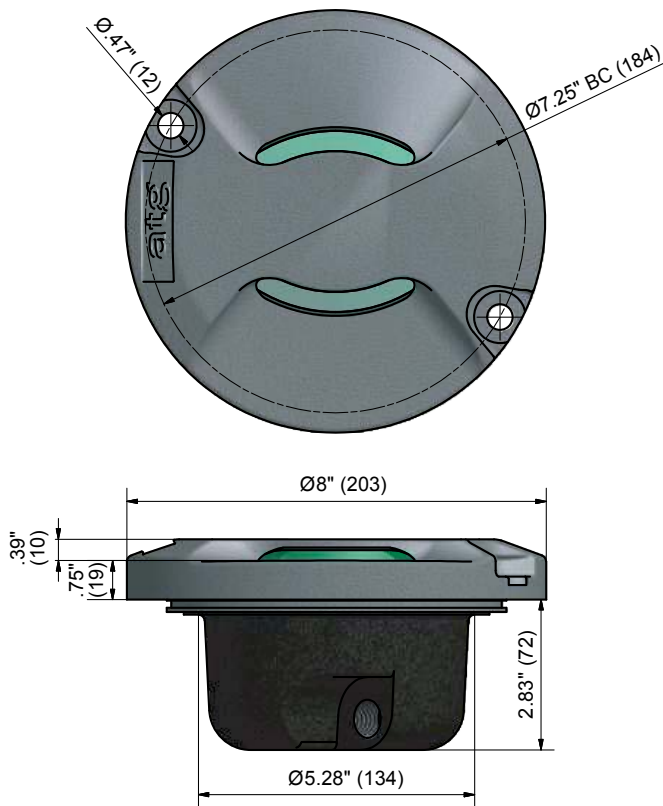
LED 8" Taxiway Centerline, Curved Sections (Wide), High Intensity Lighting Solutions

Compliance and Applications

- FAA Certified: L-852DL (AC 150/5345-46)
- FAA Eng Brief No 67
- ICAO Annex 14. Vol 1
- IEC 61827
- EASA
- Stanag 3316 (NATO)

The ZA280DL is a high intensity, inset LED taxiway centerline (wide curved sections) fixture with a wide beam, suitable for CAT III all weather operation airfield ground lighting (agl) systems.

The fixture may be used in 6.6A airfield lighting circuits normally supplied from 1 x 45W, 1 x 65W or 100W isolating transformer.



Ordering Codes IL-ZA280 DL

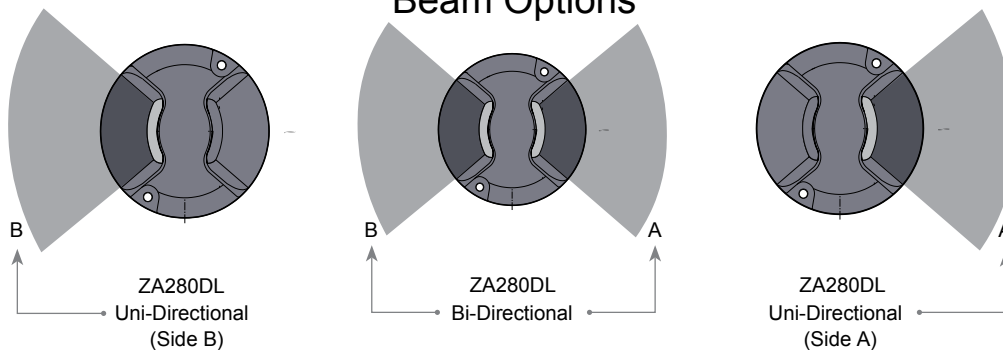
Application L-852DL Taxiway Centerline Curved (Wide)	DL
Color A Side G = Green Y = Yellow X = Blank B Side G = Green Y = Yellow X = Blank	
Specification 1 = FAA	
Connections 1 = 1 Bi Pin Plug	

Additional optional features are available upon request.

Packaging

- Net weight: 6.6 lb. (3Kg)
- Gross weight: 7.7 lb. (3.5Kg)
- Box: 9.1" (230mm) (w) x 9.1" (230mm) (d) x 5.7" (146mm) (h)

Beam Options





Electrical Performance

Main Beam Aperture		Color	Typical Power Consumption - Watts (VA) @ 6.6A				
Horiz(°)	Vert(°)		Per Beam Watts	Fixture* Watts (VA)	PF	Tx Primary** Watts (VA)	PF
-30 to +30	1 to 10	GRN/GRN	2.9/2.9	16.14 (16.43)	0.99	24.19 (24.54)	0.98
-30 to +30	1 to 10	YEL/YEL	3.0/3.0	16.14 (16.43)	0.99	24.19 (24.54)	0.98
-30 to +30	1 to 10	GRN/YEL	2.9/3.0	16.14 (16.43)	0.99	24.19 (24.54)	0.98
-30 to +30	1 to 10	GRN/BLK	2.9/-	16.14 (16.43)	0.99	24.19 (24.54)	0.98
-30 to +30	1 to 10	YEL/BLK	3.0/-	16.14 (16.43)	0.99	24.19 (24.54)	0.98

Fixture Operational Current Range: 2.7 to 6.7A RMS

* as measured at the input leads of the fixture.

** as measured across the primary winding of an appropriately sized isolation transformer with a total fixture and transformer secondary length not exceeding ~72" (1.85m).

Note: Isolating transformer shall be suitably sized to accommodate specific secondary and other applicable losses.

For bi-directional twin lead option use unidirectional electrical performance for each direction.

Environmental Conditions

▶ Ambient Temperature -67 °F to +131°F (-55 °C to +55°C)

▶ Ingress Protection IP67

▶ Storage Temperature -67 °F to +131°F (-55 °C to +55°C)

Photometry

Specification

Taxiway Centerline curved (Wide) - FAA L-852DL

Color	Green
Max/Min Intensity Ratio	< 3.0
Main rect. average intensity	100 cds
Main rect. minimum intensity	50 cds
Second rect. minimum intensity	10 cds

Typical Measured Values

Color	Green
Max/Min Intensity Ratio (Ref)	< 3.0
Main rect. average intensity	156 cds
Main rect. minimum intensity	57 cds
Second rect. minimum intensity	43 cds

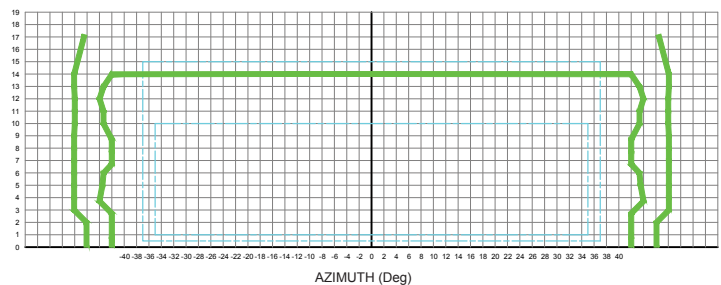
Specification

Color	Yellow
Max/Min Intensity Ratio	< 3.0
Main rect. average intensity	100 cds
Main rect. minimum intensity	50 cds
Second rect. minimum intensity	10 cds

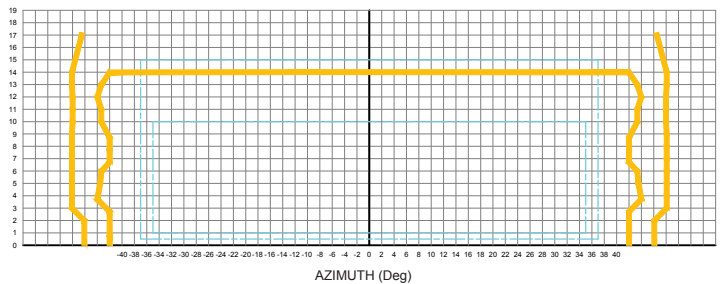
Typical Measured Values

Color	Yellow
Max/Min Intensity Ratio (Ref)	2.63
Main rect. average intensity	199 cds
Main rect. maximum intensity (A)	260 cds
Main rect. minimum intensity (B)	83 cds
Second rect. minimum intensity	57 cds

Intensity Chart - Taxiway Centerline Luminaire (curved wide) Green



Intensity Chart - Taxiway Centerline Luminaire (curved wide) Yellow

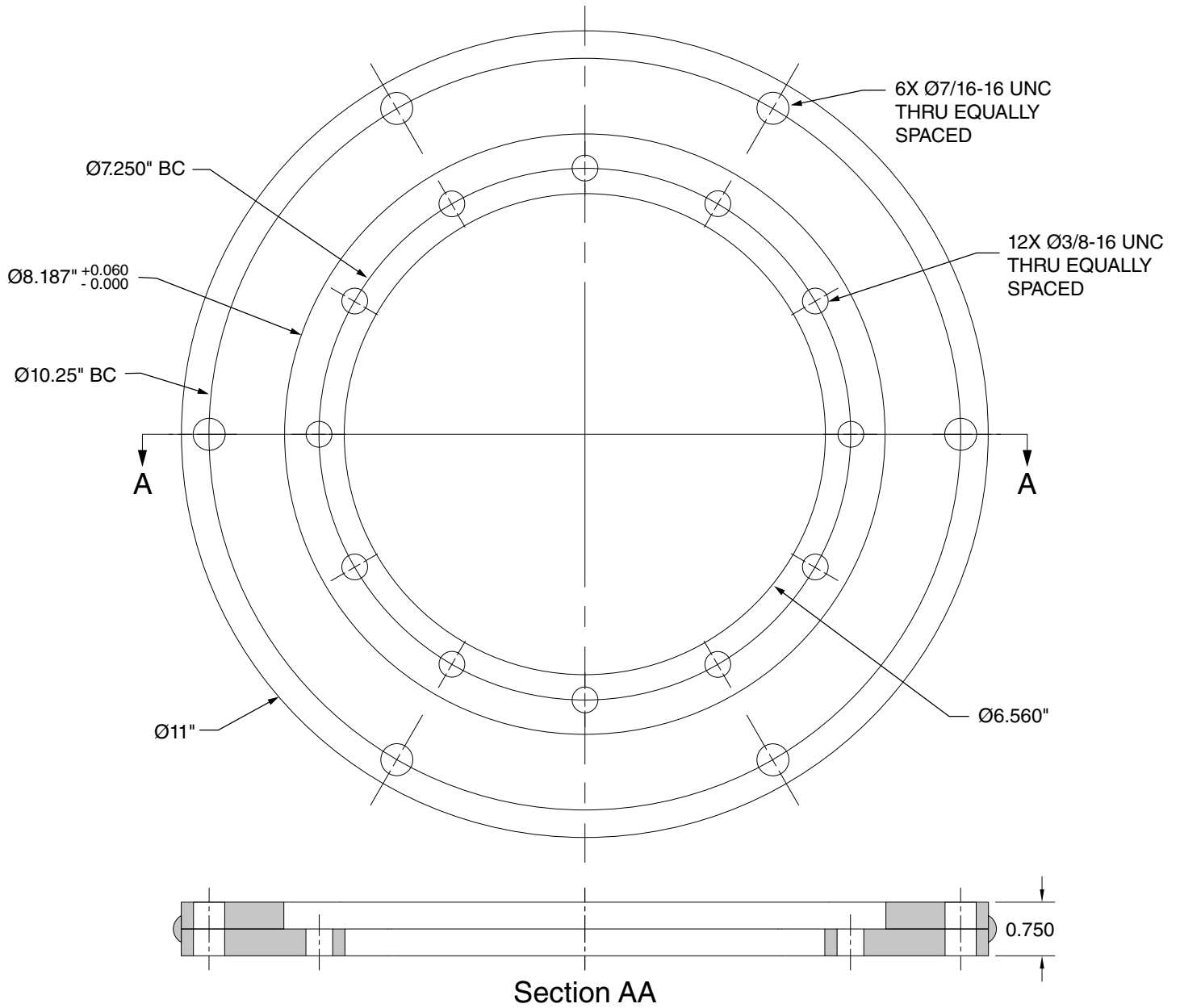


+1.800.806.3548 USA
+1.916.394.2800 Worldwide

www.flightlight.com
sales@flightlight.com

Flight Light Inc., 2708 47th Ave.
Sacramento, CA, 95822, USA

L-867 to 8" One Piece Adapter Ring (30-86712-25)



Adapter Ring for 12" L-868B Base Can to 8" Inset Fixture

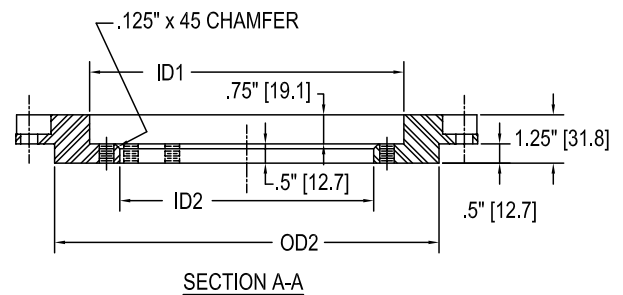
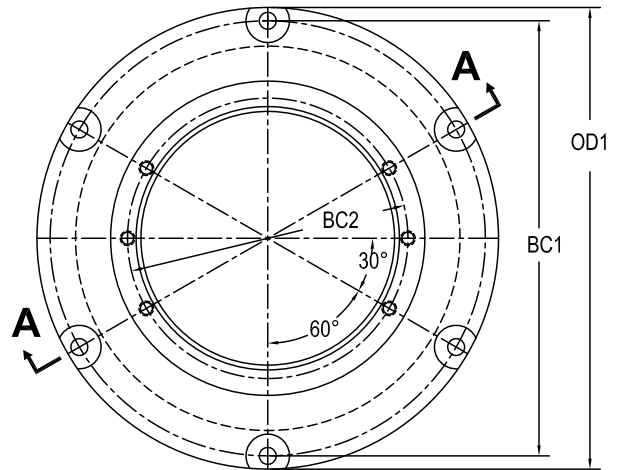
Compliance and Applications

Certified to FAA AC 150/5345-42 (Current Revision), Size: B=12"

Adapter ring for mounting 8" diameter (7.25" BC) inset fixture to 12" L-868B base can.

Specifications

- Ductile iron castings with a black powder coat finish
- (6) 7/16" Ø equally spaced, thru holes with 1-1/8" Ø x 1/2" deep counter bore
- (6) 3/8"-16 tapped holes
- Adapter rings are shipped with:
 - (2) 3/8"-16 x 1-1/4" stainless hex head cap screws
 - (2) 3/8", 2 piece locking washers
 - (1) Bolt Set containing:
 - + (6) 3/8"-16 x 1" stainless hex head cap screws
 - + (6) 3/8", 2 piece locking washers



Ordering Codes

Part #	OD1	BC1	OD2	ID1	BC2	ID2
BA-AA122820 12" L-868B	11.938" (303.2)	11.25" (285.8)	9.938" (252.4)	8.125" (206.4)	7.25" (184.2)	6.563" (166.7)

(length in mm)

+1.800.806.3548 USA
+1.916.394.2800 Worldwide

www.flightlight.com
sales@flightlight.com

Flight Light Inc., 2708 47th Ave.
Sacramento, CA, 95822, USA