



# LED Obstruction Lighting Controller with Transfer Relay & Alarm Relay FL-81051

## Applications

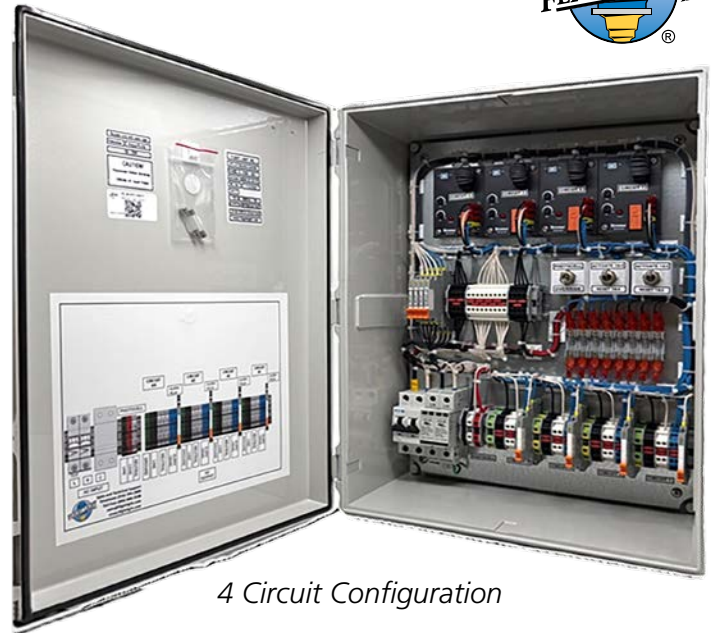
Our FL-81051 LED obstruction lighting controllers are designed to reliably monitor the proper operation of the latest low-power LED obstruction lights, with an array of dry alarm contacts to report on all aspects of system health.

## Features

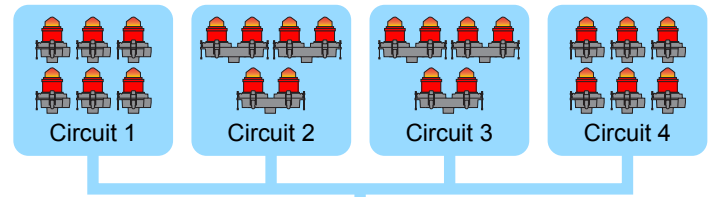
- AC input - 120V AC, 240V AC, or 277V AC
- DC input - 24V DC only
- Sophisticated current sensing enables reliable monitoring of the latest low-power LED obstruction lights
- Factory configured for up to 4 circuits of L-810 LED lights
- Monitor up to 6 illuminated head engines (single L-810 LED lights) per circuit (24 per controller)
- Each circuit shares a common transfer relay and alarm relay
- Transfer Relay Mode: In the event of a failure, all double lights in a circuit will switch to the backup second head engine
- Alarm Mode: In the event of a failure, alarm relay will indicate a fault in the circuit (if there are multiple lights in a circuit, the alarm doesn't indicate which light failed)
- Controller powers lights even if the photocell fails
- FAA photocell included
- User-friendly connectors
- Integrated surge protection
- Resistant to corrosion, shock and vibration
- Operates from -40°F to +158°F (-40°C to +70°C)
- 2 year warranty

## Specifications

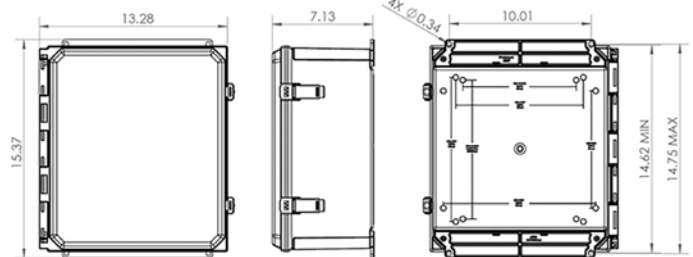
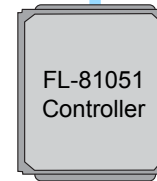
- Input Power: 120V AC 50/60Hz, 240V AC 50/60Hz, 277V AC 60Hz, or 24V DC
- Enclosure Rating: NEMA 4x Polycarbonate (15.37" H x 13.28" W x 7.13" D)
- Surge Protection: MOV
- Alarm Relay Type: Dry Contacts, Form "C", 250V AC Max, 6A
- Individual Light Monitoring: There can only be one single, double or double light with transfer relay per circuit
- Warranty: 2 year limited warranty
- Compatibility: Controller will only work with L-810 LED obstruction lights with a power consumption between 3-7VA per light fixture.



4 Circuit Configuration



**4 Circuit Example:**  
Maximum 6 illuminated head engines per circuit (24 per controller)



Mechanical Dimensions

## Ordering Codes

Model	# of L-810 Light Circuits <sup>1</sup>	Input Voltage	Option
FL-81051	1: One Circuit: Maximum 6 illuminated head engines 2: Two Circuits: Maximum 12 illuminated head engines 3: Three Circuits: Maximum 18 illuminated head engines 4: Four Circuits: Maximum 24 illuminated head engines	AC1: 120VAC AC2: 240VAC AC3: 277VAC <sup>2</sup> DC: 24VDC	T: Transfer Relay

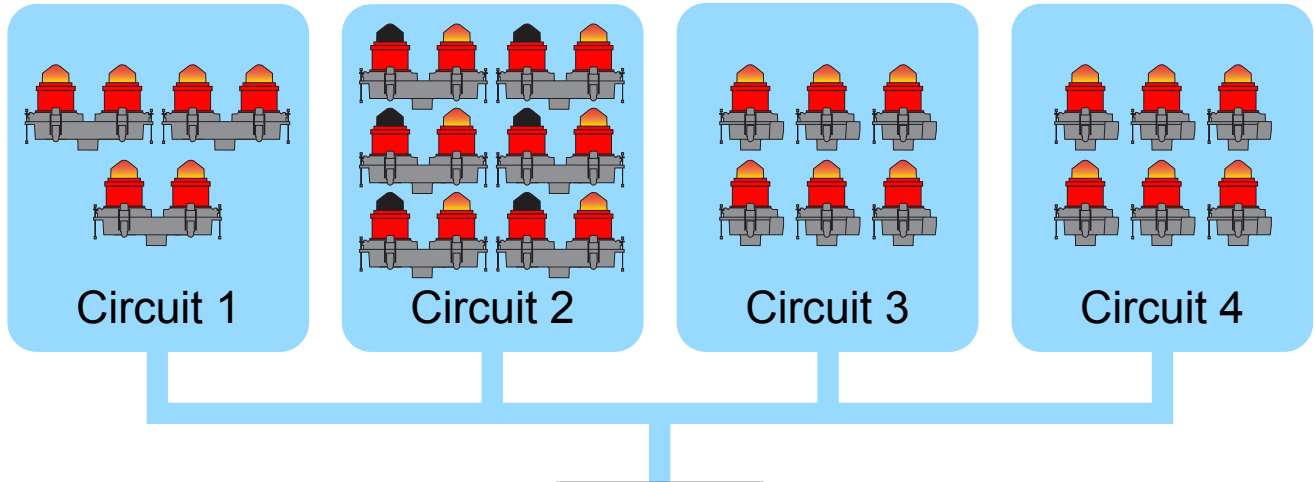
<sup>1</sup> Maximum 4 circuits per controller. Maximum 6 illuminated head engines (single L-810 LED lights) per circuit (24 per controller).

<sup>2</sup> Controller will convert 277VAC input to 120VAC output.

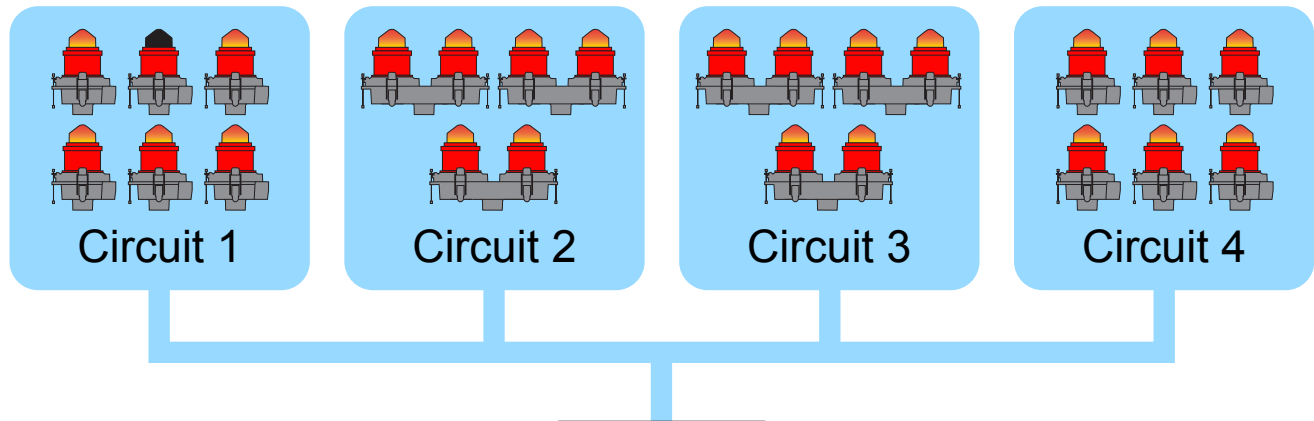
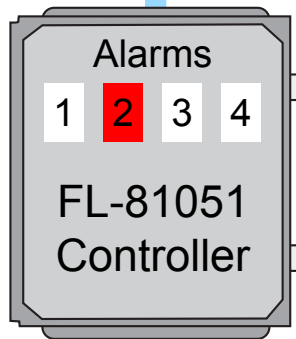
+1.800.806.3548 USA  
+1.916.394.2800 Worldwide

[www.flightlight.com](http://www.flightlight.com)  
[sales@flightlight.com](mailto:sales@flightlight.com)

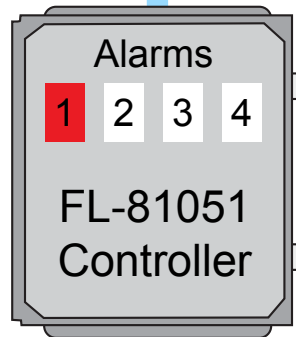
Flight Light Inc., 2708 47th Ave.  
Sacramento, CA, 95822, USA

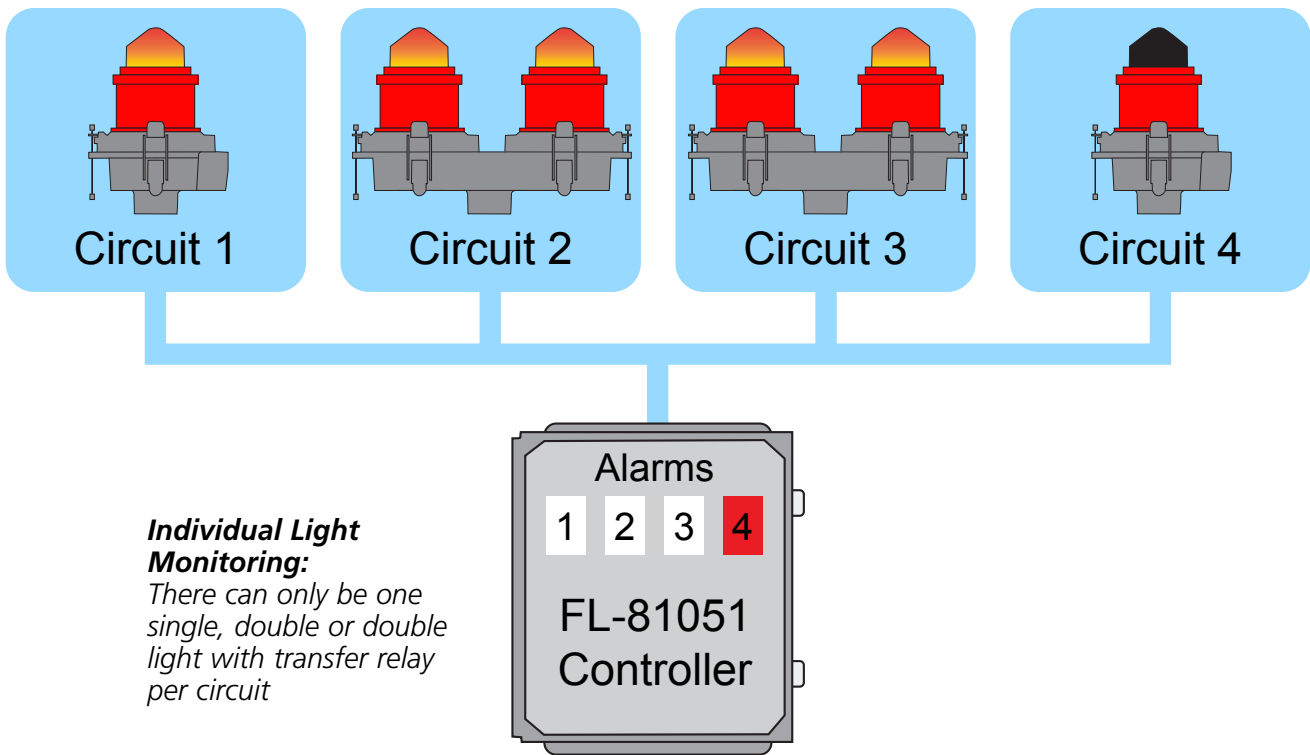


**Transfer Relay Mode:**  
*In the event of a failure, all double lights in a circuit will switch to the backup second head engine*



**Alarm Mode:**  
*In the event of a failure, alarm relay will indicate a fault in the circuit (if there are multiple lights in a circuit, the alarm doesn't indicate which light failed)*





**Individual Light Monitoring:**  
*There can only be one single, double or double light with transfer relay per circuit*