

# L-859(L) Omni-Directional Approach Light | LED ODAL

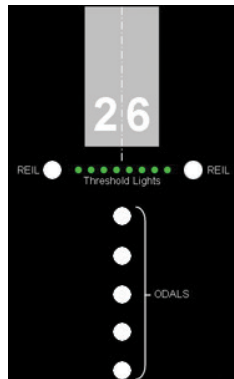
## Compliance and Applications

- FAA: AC 150/5345-51, EB67, ETL Certified
- Sections 5.3.1, 5.3.5 and 5.3.10

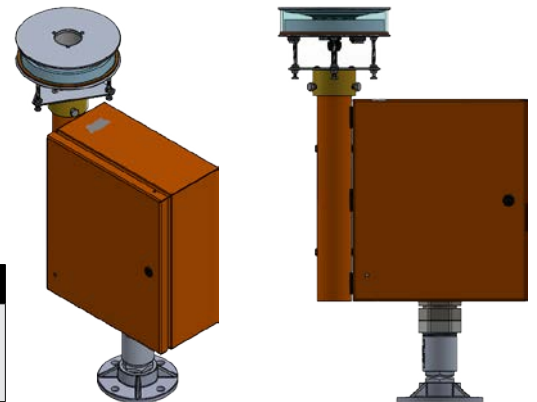
The primary application of an LED ODAL system is to positively identify the runway end or threshold of a visual or nonprecision instrument runway. An ODAL system consists of two synchronized flashing lights at the runway end and five sequential flashing lights aligned with the runway centerline to guide pilots to the runway.

## Features

- Lower cost of ownership
- High, medium and low intensity
- Robust primary control signal
- Field programmable sequence timing
- No power adapter required
- True RMS current sensing
- Current sensing set-up required at the primary unit only
- Co-mounted or separate mounted flashhead
- 50 or 60 Hz
- Flash monitoring
- Elapsed time meter
- Long-life LED for years of service



*Omni-Directional Approach Light System (ODALS)*



## Ordering Codes

| Fixture | Type                                    | # of Legs                              | Options  |
|---------|---|--|--|
| 85-     | V: 100-240V, 50-60Hz<br>I: 2.8A to 6.6A | 0: Wall Mount<br>1: 1 Leg<br>2: 2 Legs | A: Current Sensing (Type V only)<br>C: Weatherproof External ON/OFF Switch<br>S#: Separate Mount (specify qty) |

All units have co-mounted flashheads unless specified with Option S#.

+1.800.806.3548 USA  
+1.916.394.2800 Worldwide

[www.flightlight.com](http://www.flightlight.com)  
[sales@flightlight.com](mailto:sales@flightlight.com)

Flight Light Inc., 2708 47th Ave.  
Sacramento, CA, 95822, USA



## Photometric Data

| Type  | FPM | Effective Intensity |       |     |
|-------|-----|---------------------|-------|-----|
|       |     | High                | Med   | Low |
| L-859 | 60  | 5,000               | 1,500 | 300 |

## Physical Specifications

|   |  |
|---|--|
| OMNI Flashhead<br>(84-90000)            | Weight = 5lbs<br>Dimensions = 6.5H x 8H          |
| Type V Power Supply<br>(84-00905)       | Weight = 4lbs<br>Dimensions = 1.75H x 10W x 3.5D |
| Type I Power Supply<br>(C7-LV2V2)       | Weight = 1lb<br>Dimensions = 2.5H x 7.25W x 2.5D |
| OMNI Co-Mount<br>(Enclosure + 85-90000) | Weight = 26lbs<br>Dimensions = 24H x 17W x 8D    |
| Separate Mount<br>Enclosure             | Weight = 21lbs<br>Dimensions = 16H x 12W x 6.5D  |

## Equipment Data

|                   |                                   |
|-------------------|-----------------------------------|
| Control           | Remote, local, or automatic       |
| Current           | 2.8A to 6.6A                      |
| Power (VA)        | 194VA                             |
| Flash Rate        | 60 fpm                            |
| Nominal Intensity | High: 5,000; Med: 1,500; Low: 300 |
| Beam Spread       | 360° Horizontal, 8° Vertical      |

## Specifications

### Current-Powered

2.8A - 6.6A, 100W Isolation Transformer

### Voltage-Powered

95-264VAC, 50-60Hz

Current-Sensing Module for intensity control

## Spare Components

| Description                             | Part Number  |
|---|--------------|
| OMNI Directional Flashhead              | 85-90000     |
| Universal Controller Card               | 84-00013     |
| Sequential Controller Board             | 84-00014     |
| Type-V Power Conditioning PCB           | 84-00904     |
| Type-V Power Supply, 95-264Vin - 48Vout | 84-00905     |
| Type-I Power Supply, 6.6A               | C7-LV2V2     |
| Type-I Diode Bridge                     | C7-BRG       |
| Type-I Gas Discharge Tube               | C7-GDTH      |
| Interlock Switch                        | 55-00201     |
| External ON/OFF Switch                  | CA-SW        |
| Frangible Coupling, 2" EMT              | 59-E         |
| Flashhead Cable, 50'                    | 55-00800-050 |
| Flashhead Cable, 100'                   | 55-00800-100 |
| Flashhead Cable, 200'                   | 55-00800-200 |