

L-850B(L) LED Inset Unidirectional High Intensity Lights

Compliance and Applications

- FAA: AC150/5345-46, L-850B(L), Engineering Brief No. 67, ETL Certified
- ICAO: ANNEX 14 PARA 5.3.12, 5.3.13
- IEC: 61827
- Canada: TP 312

Used for Runway Touchdown Zone and Medium Intensity Approach Lighting Systems with economic, long-life LED modules

Features

- Low profile <0.25" (6mm) FAA Style 3
- Lightweight aluminum forging top section provides superior mechanical strength and durability
- Easily replaceable non-sealed type prism
- Long-life LED, >50,000 hours
- Direct mounting on standard FAA L-868 Base with FAA Support Ring
- Compatible with all CCR types
- Protection Class: IP68

Specifications

- Input Power: 2.8~6.6A
- Power Consumption (Isolation Transformer): White: 33VA (45W)
- Long-life LED, >50,000 hours
- Low profile: <0.25" (6mm)
- Minimum Average Intensity data: 5,427cd(W) / 1038cd(R)
- Chromaticity data: White (x 0.348, y 0.353), Red (x 0.695, y 0.301)

Operating Conditions

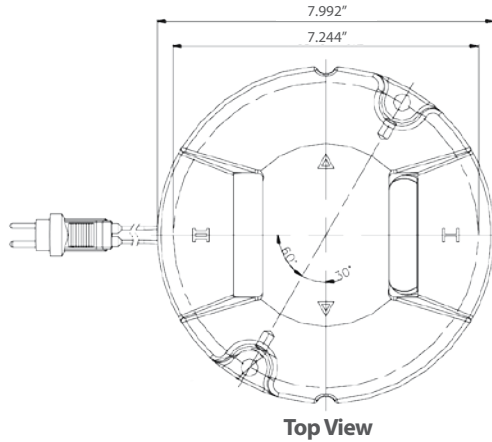
- Operating Temperature: -40°F to +131°F (-40°C to +55°C)
- Storage Temperature: -67°F to +131°F (-55°C to +55°C)
- Ingress Protection: IP68
- Salt Fog: Per FAA AC 150/5345-46
- Temperature Shock: Per FAA AC 150/5345-46
- Humidity: 0~100%

Ordering Codes

Fixture	Color	Dimension	Option
850B	WO: Toe-In Right OW: Toe-In Left WS: White/Obscured (Straight)	8F: 12" (FAA Support Ring) 8N: 8"	1: Prism Hardness Coating

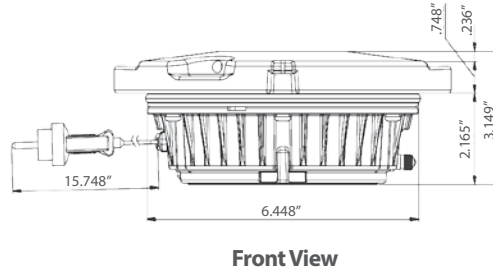


Dimensions



Fixture

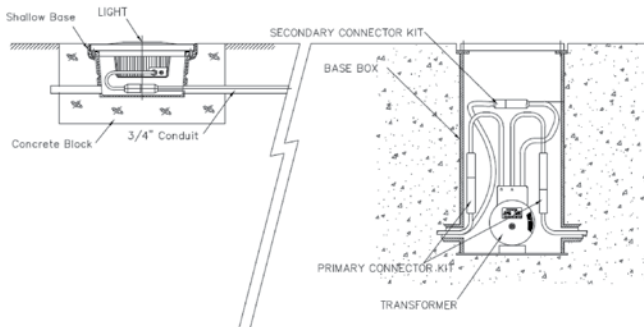
Shipping Weight	6.5lb (3.1kg)
Shipping Dimensions	9.5" x 8.5" x 4.5" (241mm x 215mm x 114mm)



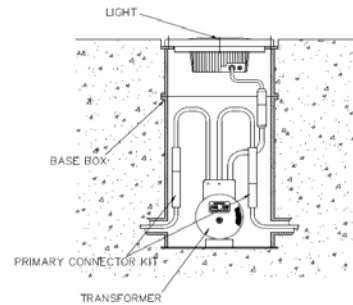
Installation

The L-850B(L) is designed to be installed as below recommended configuration.

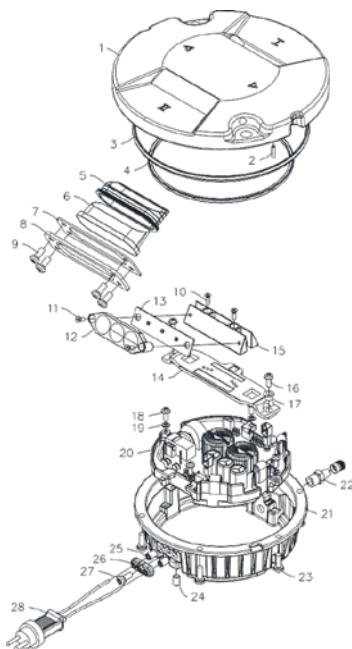
Shallow Base



L-868 Base Body



Components



Item	Description	Part Number
3	O-Ring 6.5"	33-50026
4	O-Ring	33-50006
5	Prism Sealant	33-44005
6	Prism	33-40002
7	Prism Gasket	33-44001
8	Prism Holding Bracket	33-44009
12	LED Lens	33-60004
10-17	LED Module, White/Obscure	33-81142
10-17	LED Module, White (RT Toe)	33-82124
10-17	LED Module, White (LT Toe)	33-82142
20	Control Board	33-34002