

# L-850A(L) LED Inset High Intensity Lights

## Compliance and Applications

- FAA: AC150/5345-46, L-850A(L), Engineering Brief No. 67, ETL Certified
- ICAO: ANNEX 14 PARA 5.3.12, 5.3.13
- IEC: 61827
- Canada: TP 312

Used for Runway Centerline and Land & Hold Short Operations (LASHO) with economic, long-life LED modules.

## Features

- Low profile <0.25" (6mm) FAA Style 3
- Lightweight aluminum forging top section provides superior mechanical strength and durability
- Easily replaceable non-sealed type prism
- Long-life LED, > 50,000 hours
- Direct mounting on standard FAA L-868 Base with FAA Support Ring
- Compatible with all CCR types
- Protection Class: IP68

## Specifications

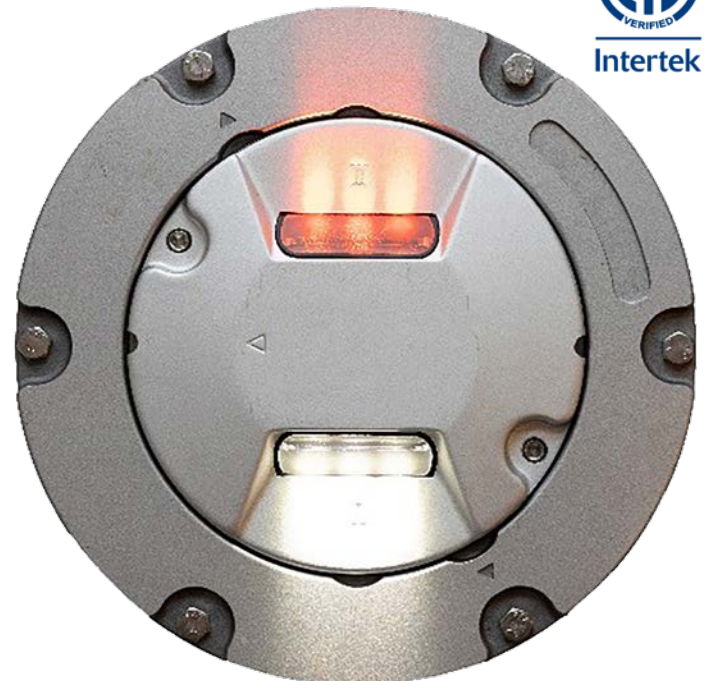
- Input Power: 2.8~6.6A
- Power Consumption (Isolation Transformer):
  - White/White: 36VA (45W)
  - White/Red: 32VA (45W)
  - White: 33VA (45W)
  - Red: 13VA (25W)
- Long-life LED, > 50,000 hours
- Low profile: <0.25" (6mm)
- Minimum Average Intensity data: 5,427cd(W) / 1038cd(R)
- Chromaticity data: White (x 0.348, y 0.353), Red (x 0.695, y 0.301)

## Operating Conditions

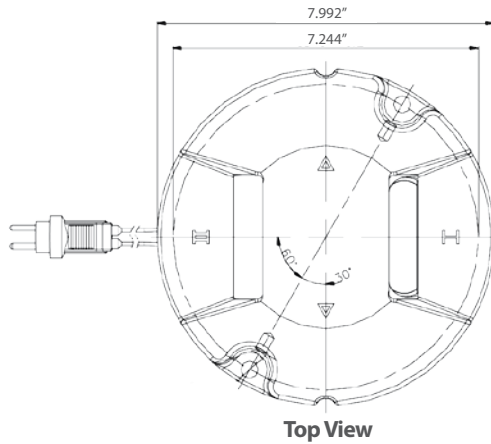
- Operating Temperature: -40°F to +131°F (-40°C to +55°C)
- Storage Temperature: -67°F to +131°F (-55°C to +55°C)
- Ingress Protection: IP68
- Salt Fog: Per FAA AC 150/5345-46
- Temperature Shock: Per FAA AC 150/5345-46
- Humidity: 0~100%

## Ordering Codes

Fixture	Color	Dimension	Option
850A	WW: White/White WR: White/Red WO: White/Obscured RO: Red/Obscured	8F: 12" (FAA Support Ring) 8N: 8"	1: Prism Hardness Coating

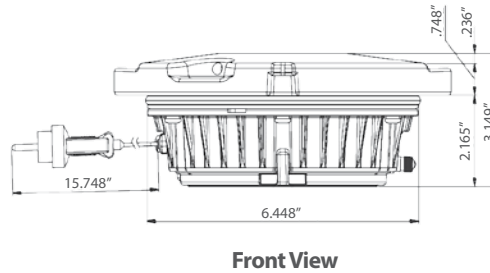


**Dimensions**



**Fixture**

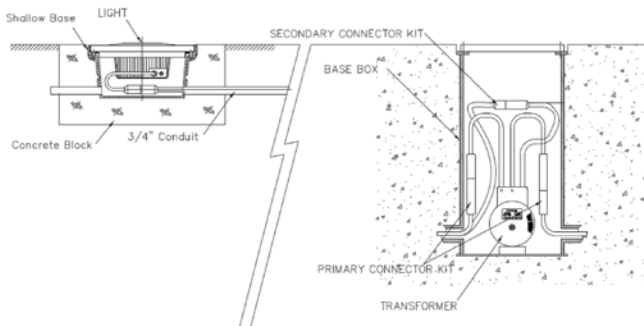
Shipping Weight	6.5lb (3.1kg)
Shipping Dimensions	9.5" x 8.5" x 4.5" (241mm x 215mm x 114mm)



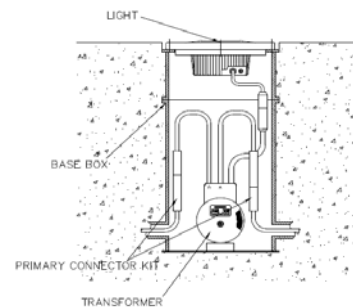
**Installation**

The L-850A(L) is designed to be installed as below recommended configuration.

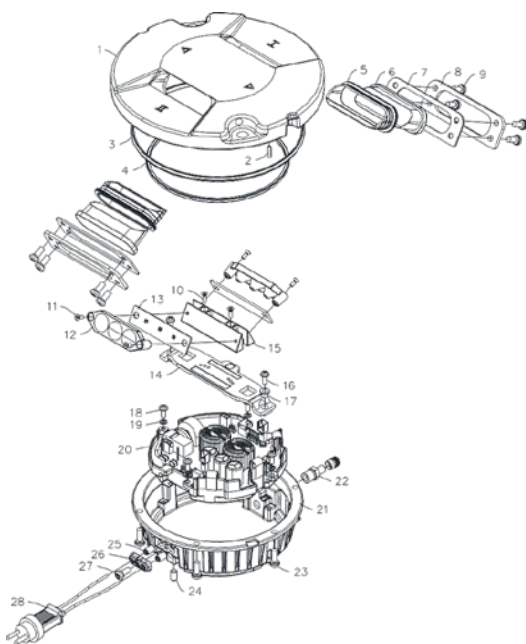
**Shallow Base**



**L-868 Base Body**



**Components**



Item	Description	Part Number
3	O-Ring 6.5"	33-50026
4	O-Ring	33-50006
5	Prism Sealant	33-44005
6	Prism	33-40002
7	Prism Gasket	33-44001
8	Prism Holding Bracket	33-44009
10-17	LED Module, White/White	33-81144
10-17	LED Module, White/Red	33-81143
10-17	LED Module, White/Obscure	33-81142
10-17	LED Module, Red/Obscure	33-81132
20	Control Board	33-34002