

High-Intensity Elevated Runway Edge & Threshold/End Light (6370 Series)

Compliance

- FAA AC 150/5345-46 —L862 & L862E
- ICAO Annex 14

Description

The 6300 Series High Intensity Light is used for elevated runway edge and elevated threshold/end lighting.

The fixtures are certified to FAA L-862 and L-862E under Advisory Circular 150/5345-46 and meets requirements of ICAO Annex 14.

The die-cast aluminum housing securely positions the smooth, heat-resistant outer lens and internal optical lenses in precise alignment with the lamp's prefocused filament. Runway edge lights use a clear outer lens with clear or colored inner lenses. Threshold/End lights use colored outer lens with clear inner lenses. Fixtures mount directly on either a 2" Frangible Coupling, 2" EMT with an EMT Frangible Coupling or 1" EMT with a Frangible Coupling.

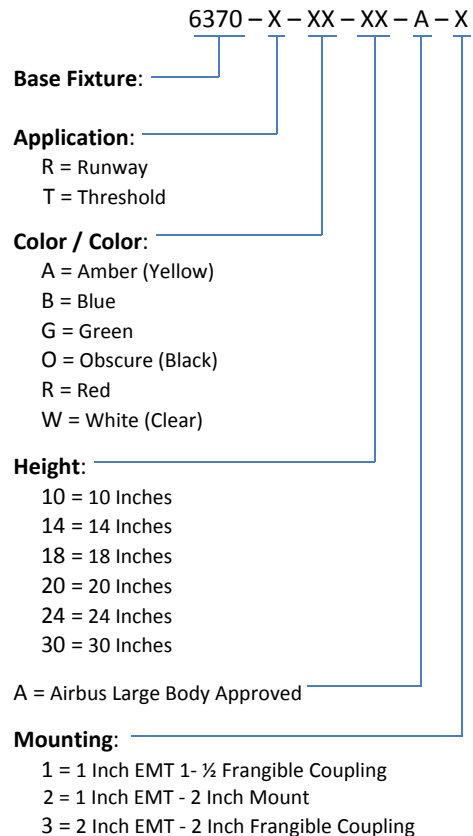
The L-862 Runway Edge lights use a 150W 6.6A bi-pin quartz lamp for all colors.

For the L-862E Threshold/End lights, a 200W 6.6A quartz lamp is used.

Easy lamp replacement is accomplished by loosening one thumbscrew and lifting the entire optic lens assembly from the base unit.



ORDERING INFORMATION



Note: For Threshold Lights the colors "GR" or "GO" are used on the "Left Hand" side of the centerline as viewed from the approach, "RG" or "OG" are used on the "Right Hand" side. Equal Left and Right Hand fixtures should be ordered for most installations.

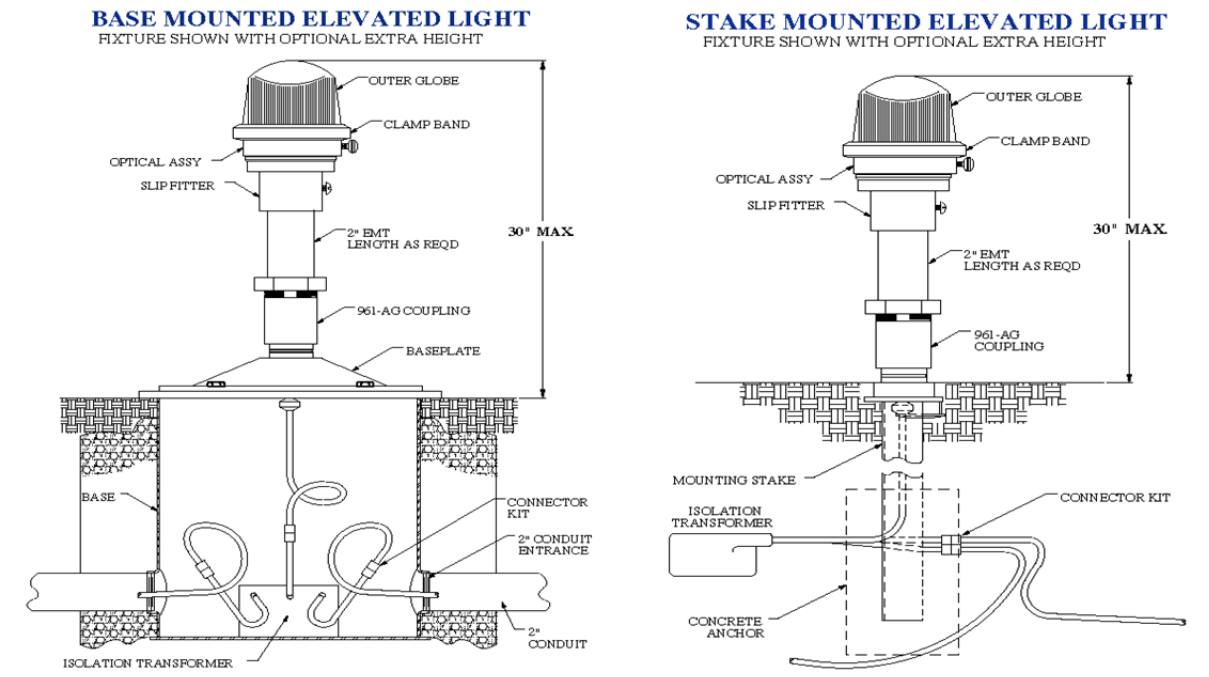
ACCESSORY & REPLACEMENT PARTS

Catalog Number	Description	Catalog Number	Description
6370A	Basic Fixture Assembly (14" h max)	6370-10W	White (Clear) Inner Lens 177°
6370A-L	Basic Fixture Assembly (30" h max)	6370-10A	Amber (Yellow) Inner Lens 177°
9696	120W 6.6A Bi-Pin Quartz Lamp *	6370-10B	Blue Inner Lens 177°
9697	150W 6.6A Bi-Pin Quartz Lamp	6370-10G	Green Inner Lens 177°
9699	200W 6.6A Bi-Pin Quartz Lamp	6370-10R	Red Inner Lens 177°
961	2 Inch Slip Fit Frangible Coupling	6370-100	Obscure (Black) Inner Lens 177°
961-AG	2 Inch EMT Frangible Coupling	6370-09	Clear Outer Lens
964	1-1/2 Inch EMT Frangible Coupling	6370-13-G/R-LH	Green/Red Outer Lens, Left Hand
961-TAS	1-1/2 to 2 Inch Thread Adapter	6370-13-G/R-RH	Green/Red Outer Lens, Right Hand
1170-03	2 Inch Aluminum Baseplate	6370-13-R/B-LH	Red/Blue Outer Lens, Left Hand
1080	1-1/2 Inch Aluminum Baseplate	6370-13-R/B-RH	Red/Blue Outer Lens, Right Hand
AP1832	2 Inch Steel Baseplate	6370-13-R/O-LH	Red/Obscure Outer Lens, Left Hand
AP1975	1-1/2 Inch Steel Baseplate	6370-13-R/O-RH	Red/Obscure Outer Lens, Right Hand
AW2102	2 Inch Stake Assembly	6370-13-G/O-LH	Green/Obscure Outer Lens, Left Hand
AW2205	1-1/2 Inch Stake Assembly	6370-13-G/O-RH	Green/Obscure Outer Lens, Right Hand
6370-21-01	Cable Assembly, 16" Long	6370-20	Inner Lens Retainer
6370-21-02	Cable Assembly, 32" Long	6370-02	O-Ring Gasket
6370-04	Lamp Socket	6370-01	Lens Mounting Casting
6370-06	Clamp Band		

* Not FAA Certified

Contact Factory for additional available options and accessories

TYPICAL INSTALLATIONS



+1.800.806.3548 USA
+1.916.394.2800 Worldwide

www.flightlight.com
sales@flightlight.com

Flight Light Inc., 2708 47th Ave.
Sacramento, CA, 95822, USA