



LED Elevated Taxiway Edge Light (LTE)

Compliance

- ICAO: Annex 14 - Volume I par. 5.3.18.8
- EASA: CS ADR-DSM, Book 1, par.M.720 (c) (3)
- FAA: L-861T(L) AC150/5345-46 and EB No.67
- IEC: TS 61827
- NATO: STANAG 3316
- CAA: CAP 168
- IAAE: TP312

Applications

Taxiway edge for ICAO, FAA and military taxiways. White Omnidirectional Approach and Unserviceability lights.

Benefits

- 60,000 hours LED rated life at full intensity, but over 100,000 hours in field operating conditions.
- In new installation, LED lights mean lower loads, lower size of CCRs and transformers, thus low life cycle costs.
- The light output is variable like a traditional halogen lamp, as indicated by the FAA "Engineering Briefing No.67".
- Color emitted directly by LEDs: absence of colored lenses ensures no energy losses and no color shifts.
- Fully compatible with existing AFL infrastructure (for monitored fixtures, isolation transformer max size: 200 VA).
- Designed with simplicity allowing longer maintenance intervals and fewer spare parts.
- Customized lens gasket to avoid the use of sealing.
- No optical adjustment after LED module or lens replacement.
- Operating with any topology of CCRs designed in compliance with IEC or FAA requirements.

Performance

- Rugged electronics built tough for high resistance to shock and vibration.
- Automatic adaptation to the frequency of the supply current.
- A surge protection device is provided in the electronics as required by the FAA "Engineering Briefing No.67".
- Immediate detection of an internal fault.
- Lightweight and sturdy due to aluminum die-castings.
- Powder coating surface finishing to provide good corrosion resistance.
- Body balanced on the slipfitter for proper levelling by means of three screws.
- High jet blast resistance due to the small size of the fixture, 10" (250mm) high.
- Protection degree: IP67.
- Temperature range: -55°C (-67°F) to +55°C (131°F).

Installation

- The fixture can be installed on pipe elbow or baseplate.
- Specific tools available for easy and precise installation.





PHOTOMETRIC PERFORMANCES

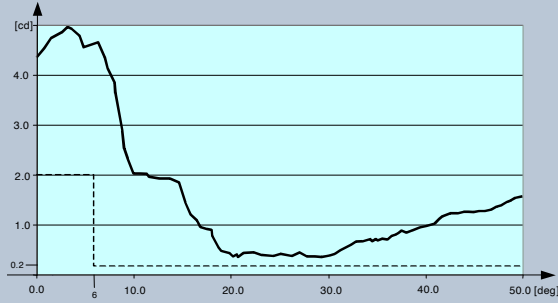
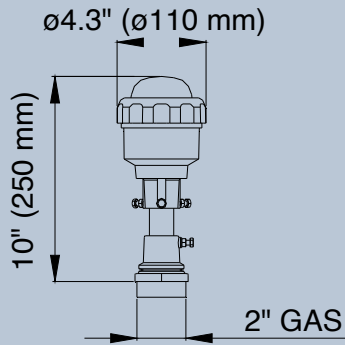


Fig. 1 ICAO par. 5.3.18.8 and FAA L-861T – Blue

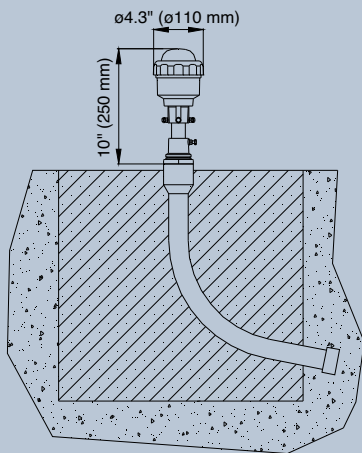
TABLES

POWER CONSUMPTION*	
Electrical System	1 Plug
Omnidirectional (w/o Arctic Kit)	6 VA
Omnidirectional (with Arctic Kit)	18 VA
* Measured at 6.6 A and referred to the highest consumption configuration	

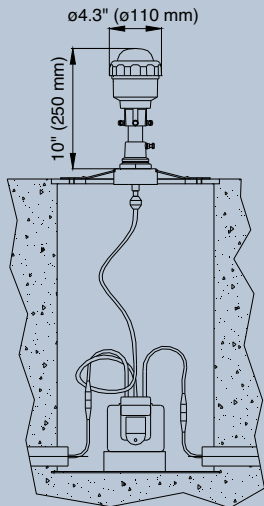
POWER FACTOR		
Input Step	2.8 A	6.6 A
Power Factor	0.96	0.98



Overall Dimensions



Pipe Elbow



FAA L-867 Deep Base and Base Plate

LTE - F - 25 - A - M - A - 0

Basic P/N: _____

Compliance: _____

I = ICAO – IEC

S = STANAG

F = FAA

Height: _____

25 = 250 mm (10")

28 = 280 mm (11")

32 = 320 mm (13")

35 = 350 mm (14")

50 = 500 mm (20")

61 = 610 mm (24")

76 = 760 mm (30")

Breakable Coupling: _____

A = 1 1/2 – 12 UNF

B = 2" – 11 1/2 NPS

C = 2" GAS

D = 2"-11 (for "14" to "30" Height)

Monitoring: _____

0 = Without Monitoring

M = With Monitoring

Arctic Kit: _____

0 = Without Arctic Kit

A = With Arctic Kit

Options: _____

W = White Omnidirectional Approach

R = Red Unserviceability light



RENEWAL PARTS FOR LIGHT UNIT

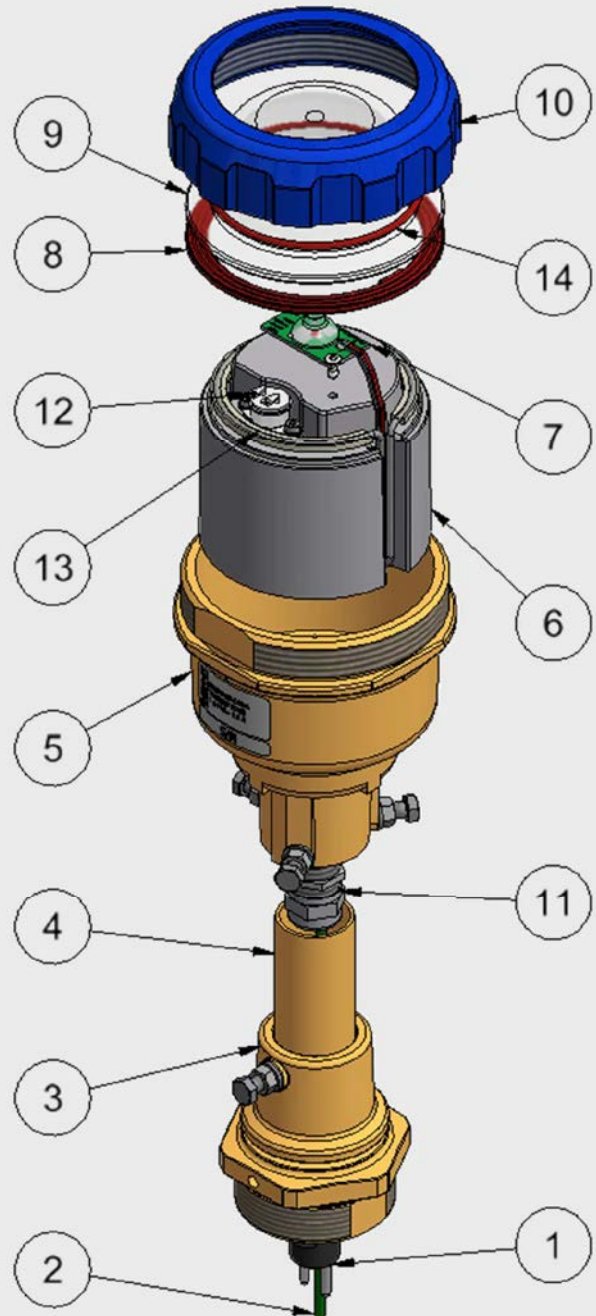
- 1 FAA L-823 plug
- 2 Fixture grounding wire
- 3 Breakable coupling
- 4 Standard 1-inch tube
- 5 Body with slipfitter
- 6 Electronic
- 7 LED module with accessories
- 8 Gasket for lens
- 9 Lens
- 10 Lens locking ring
- 11 Cable gland
- 12 Arctic kit thermostat
- 13 Arctic kit heater
- 14 O-Ring

Refer to the relevant technical manual for the complete list of the available spare parts

ACCESSORIES

- 013.0008 Galvanized steel pipe elbow with upper threaded end only (2" - 11 GAS thread)
- 315.3210 Galvanized steel pipe elbow with both threaded ends (2" - 11 GAS thread)
- 013.0010 Set of two ryton rings for receptacle support inside pipe elbow
- 315.1228 Base L-867, Class IA, Size B, 24" Deep
- 315.1062 Baseplate for L-867 base with gasket and cable clamp (2" - 11 GAS thread)
- 315.1063 Baseplate for L-867 base with gasket and cable clamp (2" - 11 1/2 NPS thread)
- 315.1082 Baseplate for L-867 base with gasket and cable clamp (1 1/2 - 12 UNF thread)
- 332.3500 Levelling device

For any information about isolating transformers and connectors, please see the specific catalogue pages



Shipping Weights and Volumes	
	Light Unit
Weight (kg)	1.3
Volume (m ³)	0.005