



S-1 Series Cutout

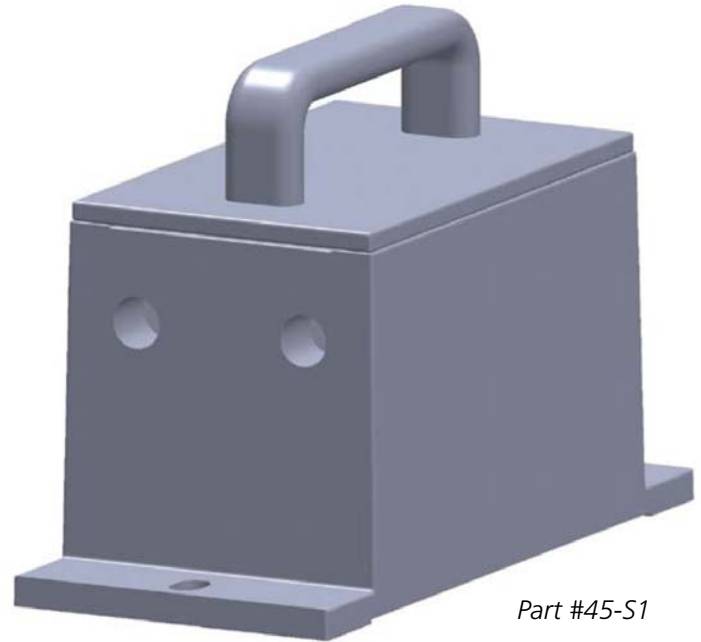
Compliance and Applications

- Complies with AC 150/5340-30

Installed to isolate the series circuit from the constant current regulator for maintenance or testing. Easy two position "handle in" and "handle out" to quickly determine cutout status.

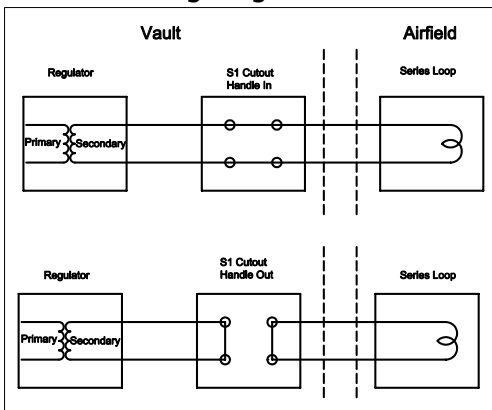
Features

- Isolates the series circuit from the constant current regulator.
- Shorts regulator output for troubleshooting.
- Suitable for 6.6 or 20 amp circuits.
- Removable handle ensures series circuit is de-energized.
- Handle is designed to fit inside a tool box to add a second level of security.
- Housing fabricated from durable non-conductive materials.
- Accepts up to size 6 AWG wire.

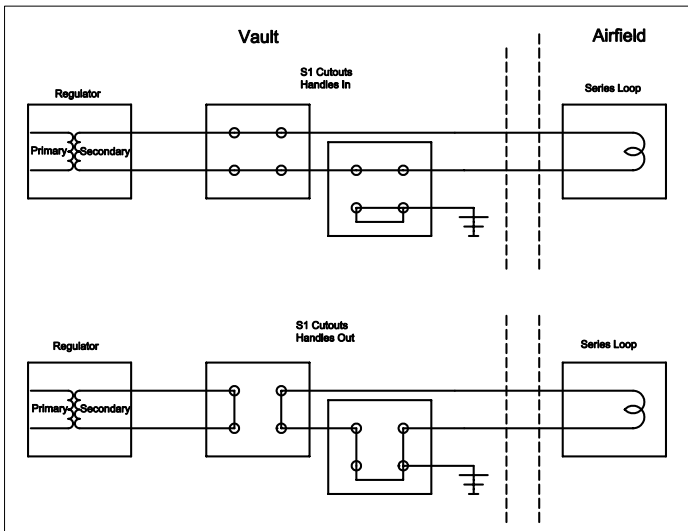


Part #45-S1

Standard Wiring Diagram



International Grounding Diagram



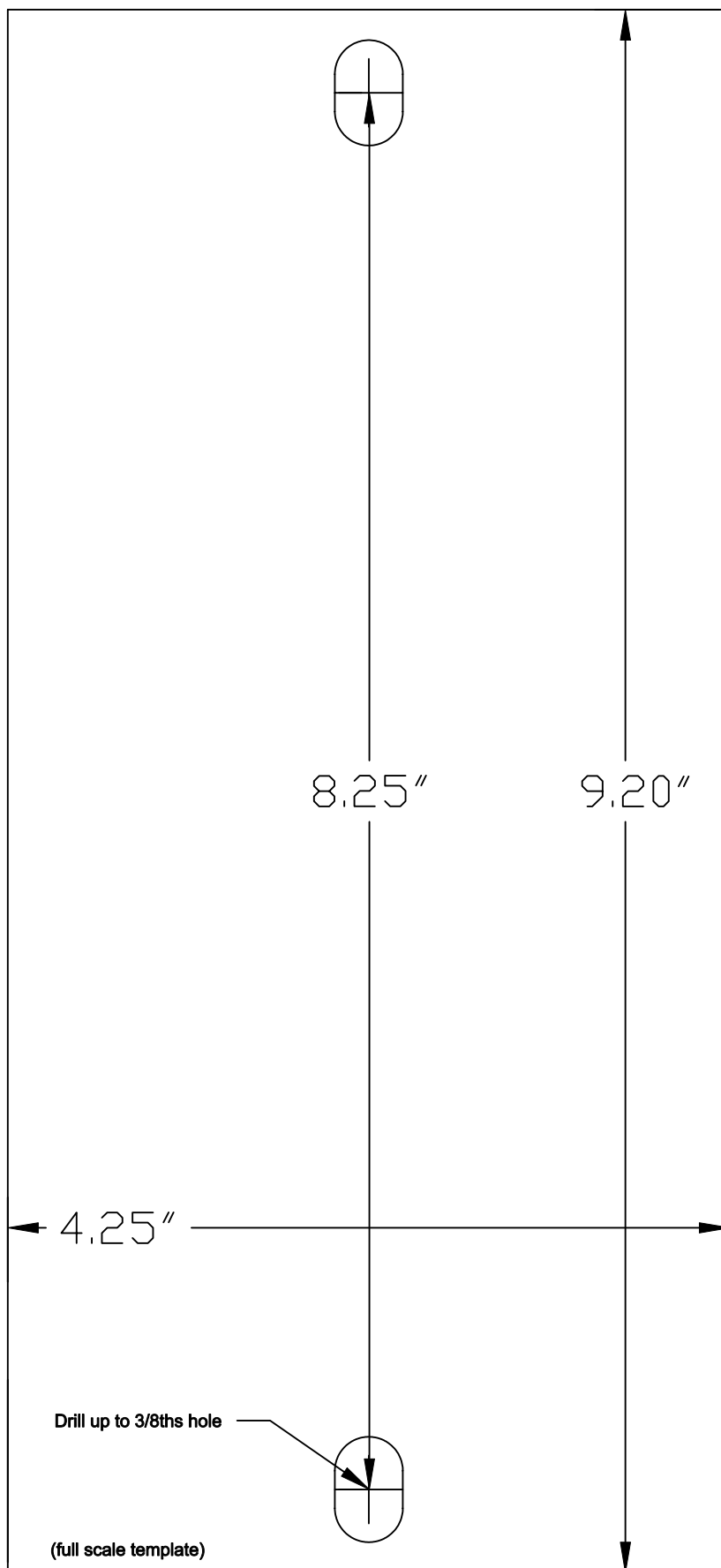
+1.800.806.3548 USA
 +1.916.394.2800 Worldwide

www.flightlight.com
sales@flightlight.com

Flight Light Inc., 2708 47th Ave.
 Sacramento, CA, 95822, USA



Mounting Template



+1.800.806.3548 USA
+1.916.394.2800 Worldwide

www.flightlight.com
sales@flightlight.com

Flight Light Inc., 2708 47th Ave.
Sacramento, CA, 95822, USA