



L-862(L) High Intensity Runway/Threshold Light LED

Compliance

- FAA: AC 150/5345-46 and Engineering Brief No. 67, ETL Certified
- ICAO: Annex 14, Volume 1
- Canada: TP 312

Applications

Runway Edge, Threshold, Displaced Threshold, Threshold/End, Displaced Threshold Precision IFR Runways

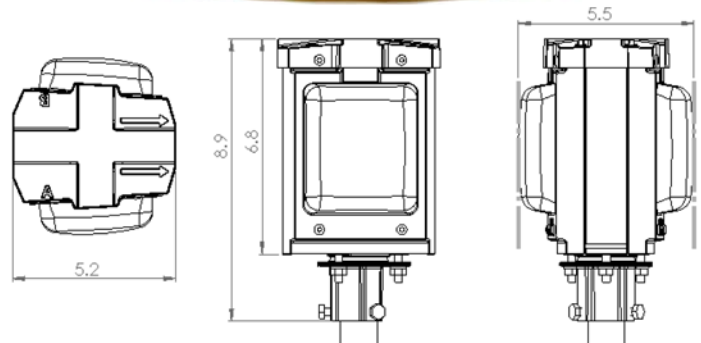
Features

- Long life LEDs for over 56,000 hours of service.
- Light clarity ensured for years with glass lens.
- Dimmable to FAA intensity curve from 2.8 amp to 6.6 amps.
- Fixtures without arctic kits use 30/45W isolation transformers, fixtures with arctic kits use 65W isolation transformers.
- Plug and Know circuit design. Dynamic controller senses the attached light engines, allowing for greater service flexibility.
- Daytime recognition provided on lens retainers.
- Leveling surface and sighting cross on cap eliminates the need for an aiming device.
- Fixture surface area designed to meet LED thermal requirements.

Specifications

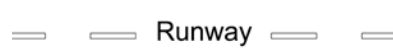
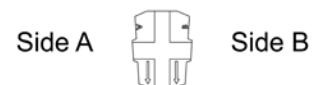
- Height, head assembly: 6.8" (173mm)
- Height, with slip fitter: 8.9" (226mm)
- Width: 5.5" (140mm)
- Length: 5.2" (132mm)
- Weight: 7.2 lb. (3.3kg)

The L-862 fixtures ship in a single box (9-1/8" x 5-3/4" x 7") or in a case of 18 (18" x 17" x 16").



Ordering Codes

Fixture	Side A	Side B	Mounting Height	Options
EHL	W: White Y: Yellow R: Red G: Green (FAA) I: Green (ICAO / TP312) O: Obscure	W: White Y: Yellow R: Red G: Green (FAA) I: Green (ICAO / TP312) O: Obscure	14: 14" (356mm) 20: 20" (508mm) 24: 24" (610mm) 30: 30" (762mm)	0: No Arctic Kit 5: Arctic Kit



Example: EHL-RG-24 is 24" high with Red on Side A and Green on Side B.

Fixture comes with special coupling, P/N 75-62-1060: 1.5" Frangible Metal Hex Coupling (with 6 threaded bolts)

+1.800.806.3548 USA
+1.916.394.2800 Worldwide

www.flightlight.com
sales@flightlight.com

Flight Light Inc., 2708 47th Ave.
Sacramento, CA, 95822, USA



Runway Light Toe Determination

View runway edge lights from runway centerline perpendicular to fixture when determining color in conjunction with right-hand and left-hand fixtures. The first color will be on the left toe-in side of the light fixture.

