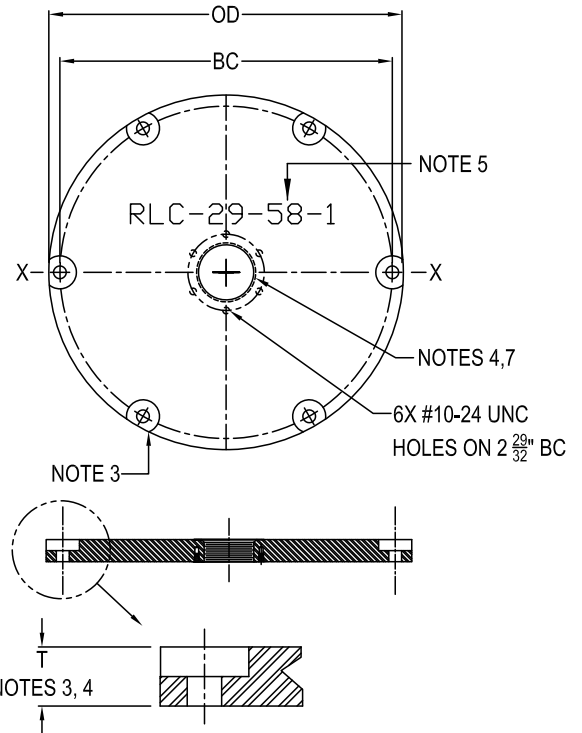


Cover Plates with Threaded Opening



Notes

- ETL Certified L-867 B, D, E; L-868 A, B, C (FAA AC150/5345-42G)
 - Size: A=8", B=12", C=15", D=16", E=24"
- Material:
 - AK series (1A) = Galvanized A-36 to ASTM-A123/A123M-02
 - AKS series (1B) = 304 Stainless Steel
- (6) 7/16" Ø equally spaced, thru holes
 - 8" L868A covers do not have holes on X-X axis
 - For covers thicker than .75", (2) opposite holes (0°, 180°) must be tapped 1/2-13
 - Ø1-1/8" × 3/8" deep counter bore on L-868 covers 1/2" & thicker
 - Ø1-1/8" × 1/4" deep counter bore on L-867 covers 1/2" & thicker, no counter bores on L-867 1/2" or thinner covers
- Diameter:
 - Thread Callouts below: (2-11-1/2" NPS), (1-1/2-12" UNF)
 - Threaded Plate #20: 2-11-1/2", #50: 1-1/2-12"
 - Hub (for plate less than 3/4" thick) #02: 2-11-1/2", #05: 1-1/2-12"
 - Thickness: 1/16" increments
 - (e.g. AK402020: 12" Diameter, 2-11-1/2" NPS, 1-1/4" thick), (e.g. AK100208: 12" Diameter, 2-11-1/2" NPS Hub, 1/2" thick)
- Contact factory for variations:
 - Grounding
 - Engraved Markings
- Pack (1) Cable Clamp kit 6120 & (1) Washer Interface kit
 - 6125 per ea. threaded hub
 - Bolts and Gaskets NOT included
- If more than 1 threaded hub/hole is ordered, standard spacing from center is as follows:
 - 12" (867B)=2.5", 12" (868B)=3.0", 16" (867D)=4.0", 24" (867E)=8.0", 15" (868C)=4.25"



Ordering Codes

Part #	Class	Type	min.T (mm)	BC (mm)	OD (mm)
AK10	1A	12" L-867B	.375" (9.5)	10.25" (260)	13.5" (343)
AKS10	1B	12" L-867B	.375" (9.5)	10.25" (260)	13.5" (343)
AK20	1A	16" L-867D	.375" (9.5)	14.25" (362)	17.375" (441)
AKS20	1B	16" L-867D	.375" (9.5)	14.25" (362)	17.375" (441)
AK70	1A	24" L867E	.5" (12.7)	21.5" (546.1)	24" (609.6)
AKS70	1B	24" L867E	.5" (12.7)	21.5" (546.1)	24" (609.6)
AK80	1A	8" L868A	.75" (19.1)	7.25" (184.2)	8" (203.2)
AKS80	1B	8" L868A	.75" (19.1)	7.25" (184.2)	8" (203.2)
AK40	1A	12" L868B	.75" (19.1)	11.25" (285.8)	12" (304.8)
AKS40	1B	12" L868B	.75" (19.1)	11.25" (285.8)	12" (304.8)
AK50	1A	15" L868C	1.25" (31.75)	14.25" (362)	15" (381)
AKS50	1B	15" L868C	1.25" (31.75)	14.25" (362)	15" (381)

(length in mm)

