

ZA483 Runway Edge High Intensity Bidirectional Inset Fixture



Compliance and Applications

- ICAO Annex 14
- FAA Compliant: L-850C; Class I & IIB (AC 150/5345-46D)
- NATO STANAG 3316
- CAA CAP168 Figs 6A/9, 6A/10

High intensity, inset runway edge fixture suitable for use in category I, II and III all weather operation airfield lighting systems.

Features

- Lightweight and robust due to its aluminum alloy construction
- Components that are common with ZA181 and ZA280 series
- Long life halogen lamps with a life of 1,500 hours at full intensity or over 3,500 hours in normal usage
- Standard adaptor rings to suit 15", 15.5" bases
- Prism removal and replacement achieved without the need for adhesive or sealants
- Color beam variations achieved by dichroic coating
- Lamp bypass options available when required
- Pre-focused optics to simplify maintenance procedures
- Light channel within .2" (5mm) of grade
- Plug for pressure testing
- Low temperature - temperature at center of top cover remains below 160°C ICAO and FAA limit
- All fasteners are stainless steel
- IMM available on request

Options

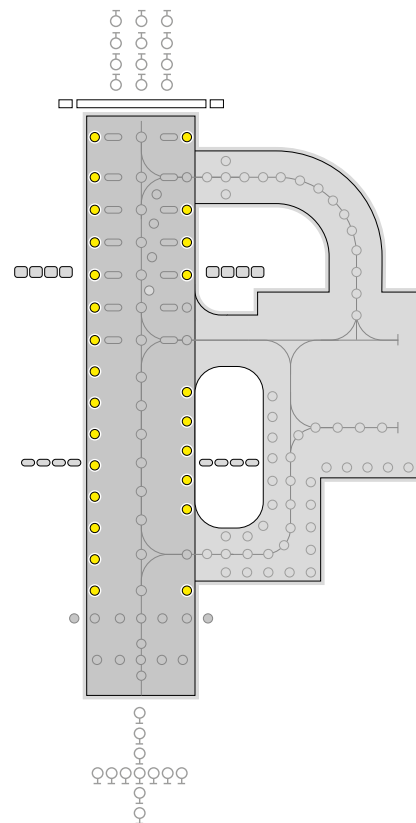
- ZM480 base (wet)
- ZM480 base (dry)
- PSA & FAA adaptors
- ZS023 sighting device
- ZM500/4 lifting handle
- ZM480 installation jig

Electrical Supply

Suitable for use in 6.6A airfield lighting circuits normally supplied from 100W, 200W or 300W isolating transformers.

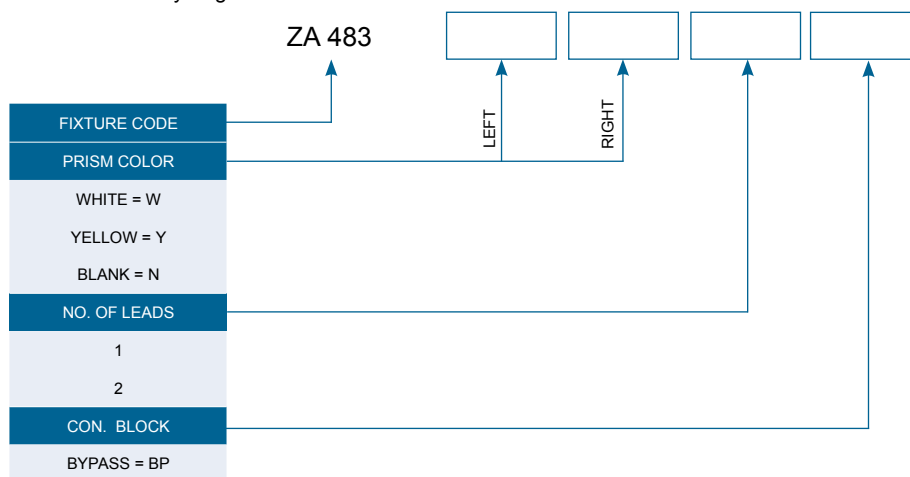
Packaging Data

- Net weight 20.5 lb. (9.3kg)
- Gross weight 22 lb. (10kg)
- Carton size 2" (50mm)(w) x 13" (330mm)(d) x 13" (330mm)(h)



Ordering Code

Inset FAA Runway Edge Fixture



EXAMPLE: ZA 483

N

W

2

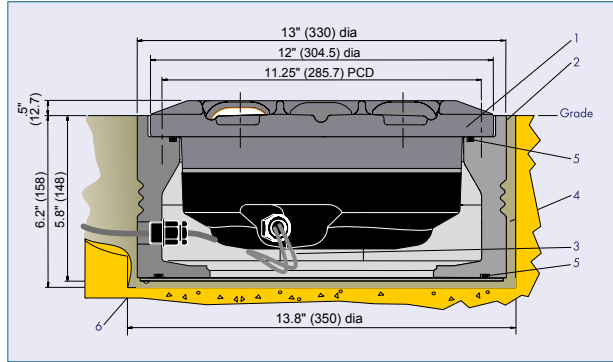
BP

= BI DIRECTIONAL BODY + BLANK PRISM + WHITE PRISM + 2 LEADS + BYPASS

Typical Installation Methods

- In a 12" dia base, atg airports ltd type ZM480

ZA483 Installed in ZM480 Base (dry version)

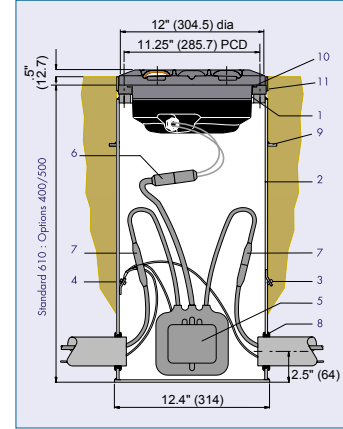


- 1. ZA483 Fixture
- 2. ZM480 Base
- 3. Secondary Connection
- 4. Grout
- 5. 'O' Ring
- 6. Cable Gland

Note ZM480 Wet base arrangement information available on request.

- In a 12" FAA L-868 Base

ZA483 Installed on FAA L-868 Base

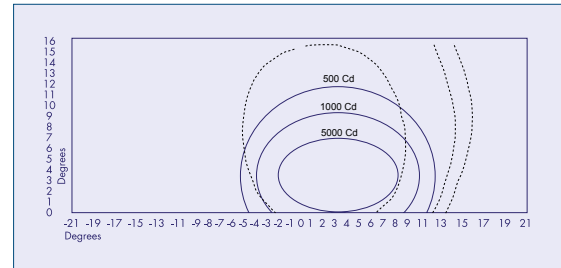


- 1. ZA483 Fixture
- 2. FAA L-868 Base (one piece)
- 3. Outer earth terminal (optional)
- 4. Inner earth terminal (optional)
- 5. Isolating transformer
- 6. Secondary connection
- 7. Primary connection
- 8. Grommet
- 9. Anchor ring
- 10. 'O' Ring
- 11. Dam ring

Photometric Performance

Runway Edge Inset Fixture:

Red	ZA483	Nominal Lamp Details	
Main Ellipse Intensity Measurements (Candelas)		Power	2 x 105 Watts
Average	6028	Current	6.6 Amps
Min. Average	5000	Type	Reflector
Max (B)	7275	CAP168	FIG 6A/2
Min (A)	4141	ICAO	Annex 14 FIG 2.10



Components

- 1 Body casting uni-directional..... Not Saleable
or bi-directional..... Not Saleable
- 2 Clear prism SLC16069
or red prism SLC19141
or blank for prism aperture..... SLC40092
- 3 Prism gasket..... SLC33075
- 4 Prism clamp SLC32037
- 5 Prism clamp gasket SLC33069
- 6 Bottom cover gasket..... SLC33076
- 7 Bottom cover casting (single lead) Not Saleable
or bottom cover casting (twin lead) Not Saleable
or bottom cover casting (three lead) SLC40114
- 8 'B' type plug lead..... SLC13026
- 9 Cable gland assembly..... SLC21282/3/4
- 10 Cable clamp SLC21281
- 11 Reflector lamp 105W SLC08075
- 12 Spring Finger Lampholder..... SLC32040
- 13 PTFE Damper SLC32039
- 14 Mounting plates:
Runway edge SLC21280
Threshold (LHT), runway end SLC21287
Threshold (RHT), runway end..... SLC21286
- 15 Lampholder support block SLC21285
- 16 Pressure test plug..... SLC21256

