



**Flight Light Inc.**  
 2708 47th Ave.  
 Sacramento, California, U.S.A.  
 95822-3806

+1.800.806.3548  
 +1.916.394.2800

www.flightlight.com  
 sales@flightlight.com

## ZA292 Under Vehicle Inspection Light Packages

### General Description

The ZA292 fixture is designed to aid security and safety inspectors by providing high-intensity illumination of vehicle undercarriages. Features include outstanding durability, superior visibility, and low maintenance.

Security applications for the ZA292 include: military bases, airports, maritime ports, border crossings, correctional facilities, embassies, royal palaces, power plants, courthouses and other government buildings. Safety applications for the ZA292 include: aircraft inspections at airport maintenance facilities and vehicle inspections at weigh stations.

### Why Our ZA292 is Better

#### Outstanding Durability

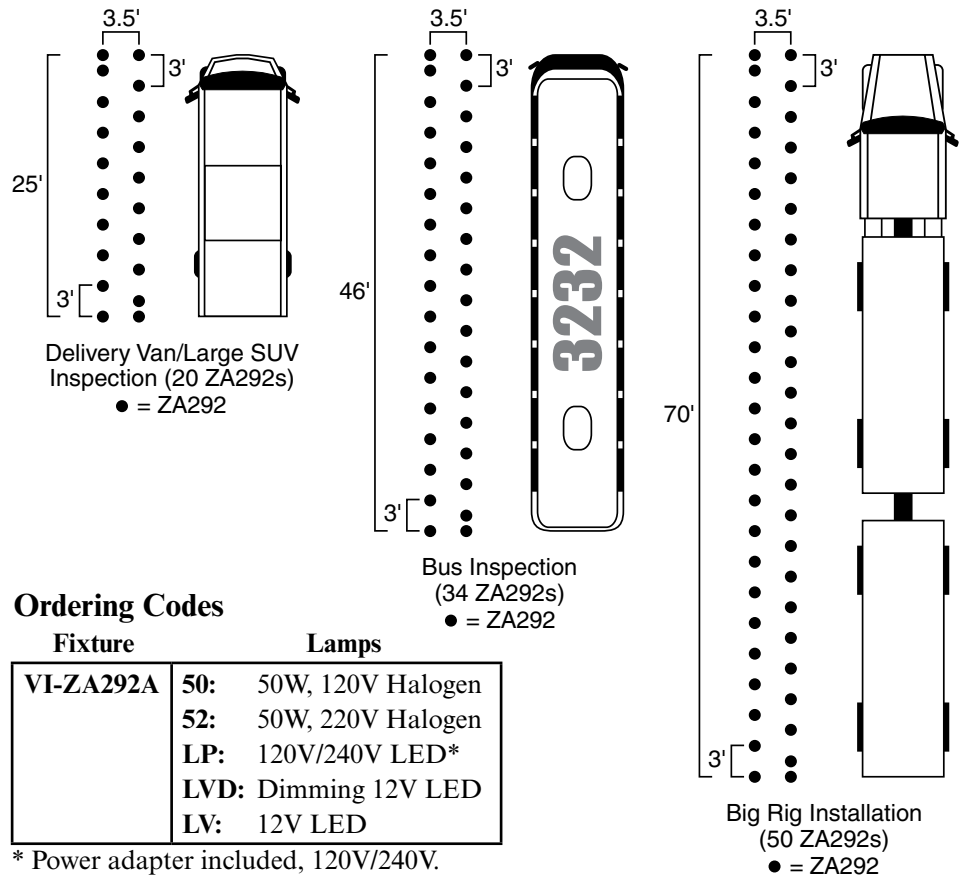
- Corrosion resistant anodized aluminum body provides resistance to weathering.
- High static load rating (44,000 lb.) reduces likelihood of damage from heavy vehicles.
- ZA292 has been tested to 1,000 PSI (pounds per square inch) and conforms with both FAA and IEC requirements.

#### Superior Visibility

- Light source provides high-intensity illumination for improved visibility.

#### Low Maintenance

- LED lamp uses 94% less power and lasts 25X longer than halogen.
- Self-cleaning lens design reduces build-up of dirt and need for frequent cleaning.
- Pressurized light cavity keeps moisture out and reduces the frequency of replacement.
- Adhesive/sealant free prism design reduces time and effort during maintenance.



### Ordering Codes

Fixture	Lamps
VI-ZA292A	50: 50W, 120V Halogen
	52: 50W, 220V Halogen
	LP: 120V/240V LED*
	LVD: Dimming 12V LED
	LV: 12V LED

\* Power adapter included, 120V/240V.

**Visit our web site: [www.flightlight.com](http://www.flightlight.com)**



Flight Light Inc.  
 2708 47th Ave.  
 Sacramento, California, U.S.A.  
 95822-3806

+1.800.806.3548  
 +1.916.394.2800

www.flightlight.com  
 sales@flightlight.com

**ZA292**  
**Under Vehicle Inspection**  
**Light Packages**

**Under Vehicle Inspection Light Packages**

Basic packages may be customized and expanded to fit your needs.

**Package 1: Halogen (120/240 VAC)**

- 2,000 hour lamp life
- Uses off-the-shelf lamps

Qty	Item #	Description
20	VI-ZA292A-50	ZA292: white, 50W halogen, 120 VAC
20	BA-725-5-2MR	Base can: 8.625" x 5" deep, 1" grm @ 0°, 180° with 2" drain, 7.25" BC, .75" mud ring
1	VI-MIRROR	Handheld inspection mirror

**Package 2: LED (120/240 VAC)**

- 50,000 hour LED lamp life
- Uses 94% less power and lasts 25X longer than halogen

Qty	Item #	Description
20	VI-ZA292A-LP	ZA292: white, LED, 120 VAC
20	BA-725-5-2MR	Base can: 8.625" x 5" deep, 1" grm @ 0°, 180° with 2" drain, 7.25" BC, .75" mud ring
1	VI-MIRROR	Handheld inspection mirror

**Package 3: Dimming LED Low Voltage (15 VDC)**

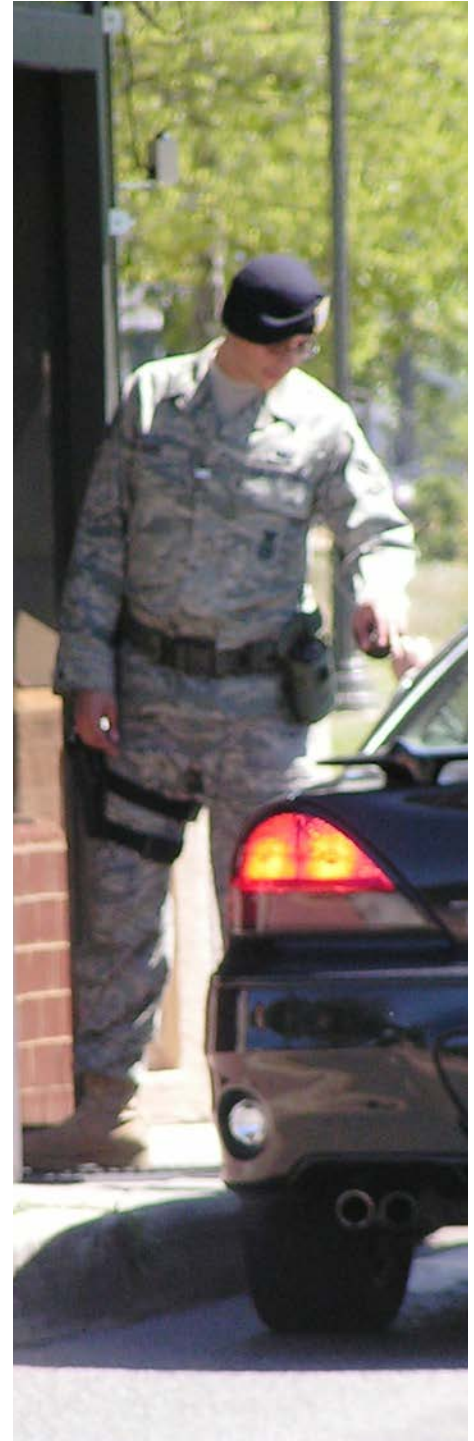
- 50,000 hour LED lamp life
- Uses 94% less power and lasts 25X longer than halogen
- Safe low voltage DC operation
- Dim lights at night to reduce glare - select from three brightness levels

Qty	Item #	Description
20	VI-ZA292A-LVD	ZA292: white, LED, 12 VDC, dimming
20	BA-725-5-2MR	Base can: 8.625" x 5" deep, 1" grm @ 0°, 180° with 2" drain, 7.25" BC, .75" mud ring
1	VI-2000-D	Dimming Controller
1	VI-MIRROR	Handheld inspection mirror

**Package 4: LED Low Voltage (15 VDC)**

- 50,000 hour LED lamp life
- Uses 94% less power and lasts 25X longer than halogen
- Safe low voltage DC operation

Qty	Item #	Description
20	VI-ZA292A-LV	ZA292: white, LED, 12 VDC
20	BA-725-5-2MR	Base can: 8.625" x 5" deep, 1" grm @ 0°, 180° with 2" drain, 7.25" BC, .75" mud ring
1	VI-2000	Low Voltage System Controller
1	VI-MIRROR	Handheld inspection mirror



**Visit our web site: [www.flightlight.com](http://www.flightlight.com)**



Flight Light Inc.  
2708 47th Ave.  
Sacramento, California, U.S.A.  
95822-3806

+1.800.806.3548  
+1.916.394.2800

www.flightlight.com  
sales@flightlight.com

## ZA292 Under Vehicle Inspection Light Packages

### Under Vehicle Inspection System Specifications

#### ZA292 Fixture:

Low profile: 0.39" (10mm)  
7.25" diameter bolt circle  
Net weight 6.6 lbs. (3kg),  
gross weight 7.7 lbs. (3.5kg)  
Input voltage (LED): 10 to  
30 VDC



Maximum output current to LEDs: 350 mA  
LED power consumption: 3.15 watts  
6500°K color temperature (LED)  
3-Step LED fixture intensity (with VI-2000-D):  
Low = 188 Candelas (Cd)  
Medium = 384 Cd  
High = 770 Cd

Low maintenance LED light source: 50,000 hour lifetime  
(25X longer than halogen)

Halogen fixture maximum intensity: 830 Cd

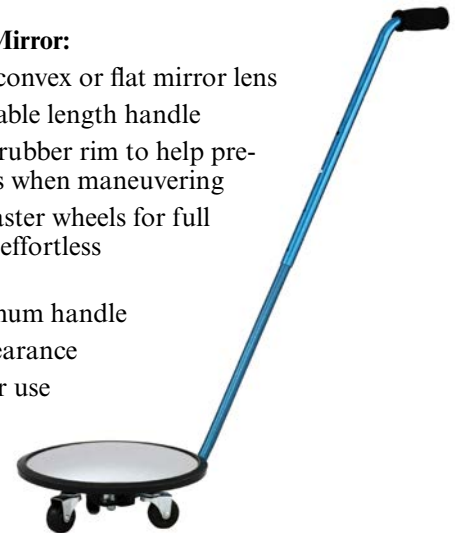


#### VI-2000-D Dimming Controller:

Input voltage: 100-240 VAC @ 50 or 60Hz  
Efficiency: 85%  
Output voltage: 15 VDC  
Output current (maximum): 10A for 150W version, 22A for  
300W version  
3-step brightness control  
Enclosure: 10" height x 10" wide x 6" deep  
Approved per UL 508 Type 4 and complies with  
NEMA 4 requirements  
Finish: Powder coated 16 gauge steel  
Weight: 15 lbs.

#### Handheld Inspection Mirror:

Available with round convex or flat mirror lens  
Equipped with adjustable length handle  
Heavy-duty extruded rubber rim to help pre-  
vent damaging objects when maneuvering  
Tripod ball-bearing caster wheels for full  
range of motion with effortless  
maneuvering  
51" lightweight aluminum handle  
Low 3-1/2" ground clearance  
For indoor or outdoor use  
Weight: 12 lbs.



#### VI-2000 Low Voltage System Controller:

Input voltage: 85-265 VAC @ 47-63Hz  
Output voltage: 15 VDC  
Simple operation: Internal on/off power switch  
Wide operating temperature range: -10°C to + 55°C  
Input transient protection  
Output overload and over-voltage protection  
Over-temperature shut-down protection  
Enclosure: 11.5" height x 8" wide x 4.75" deep  
Approved per UL 508 Type 4 and complies with  
NEMA 4 requirements  
Finish: Powder coated 16 gauge steel

Visit our web site: [www.flightlight.com](http://www.flightlight.com)





**Flight Light Inc.**  
 2708 47th Ave.  
 Sacramento, California, U.S.A.  
 95822-3806

+1.800.806.3548  
 +1.916.394.2800

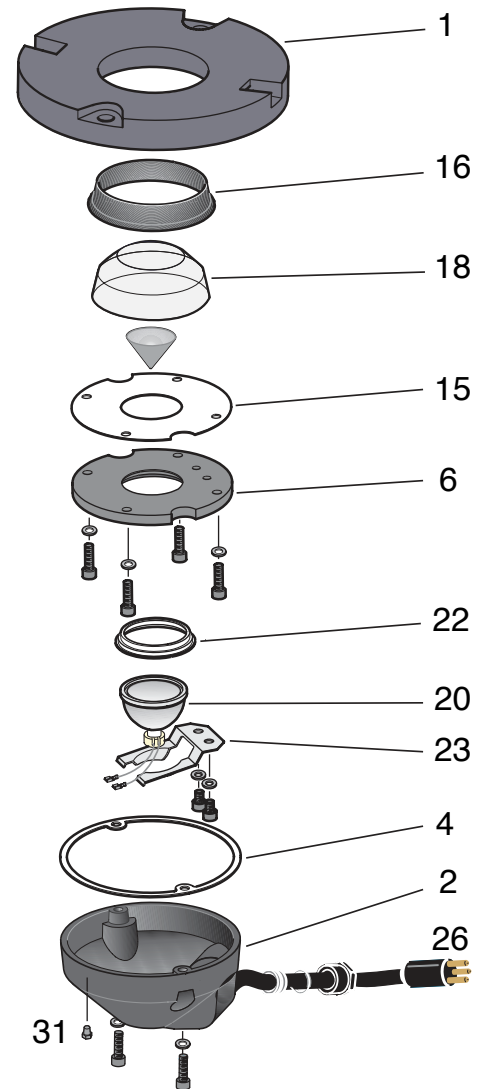
[www.flightlight.com](http://www.flightlight.com)  
[sales@flightlight.com](mailto:sales@flightlight.com)

## ZA292 Under Vehicle Inspection Light Packages

### How to Specify the ZA292 Fixture

The fixture shall be model VI-ZA292A-50/52 (halogen lamp) or VI-ZA292A-LP/LV/LVD (LED) as marketed by Flight Light Inc. or an approved equivalent. In order to be considered equal, the alternate fixture shall have the following characteristics:

- **Construction** - The diameter of the fixture shall not be more than 8" and all mounting hardware shall be stainless steel. The fixture shall operate from a 120/240 VAC or 15 VDC power source. The fixture shall be furnished with a female wire connector. The finish of the upper casting shall be anodized and gray in color. The bottom casting shall be painted black. The top and bottom castings shall be sealed by means of a flat gasket and shall have indexing pins to insure proper seating. The fixture shall project no more than 0.39" above the roadway when installed in the factory supplied mounting base.
- **Durability** - Fixture shall withstand a static load of 44,000 lb. without sustaining permanent deformation or cracking of materials. Leads, gaskets, etc. shall be rated to withstand 300 degrees F.
- **Lamp/Light Cavity** - The lens shall be molded of high performance optical grade glass and shall provide a sealed fit within the fixture with a high density silicone rubber gasket. Each fixture shall be installed with a Schrader valve to prevent moisture intrusion, verify the entire assembly is sealed at the time of installation and to allow for re-testing.
- **Photometric Performance** - The LED version of the ZA292 uses low-energy Light-Emitting Diodes which consume only 3.15 watts with an average life of 50,000 hours. The output light intensity from each LED fixture is 770 candelas maximum with a dimmable feature if the VI-2000-D Dimming Controller option is utilized. The halogen version uses an off-the-shelf MR16, 120V halogen lamp rated at 50 watts with an average life of 2,000 hours. The output light intensity from each halogen fixture is 830 candelas.
- **Mounting Base** - Fixture shall be installed in mounting base (BA-725-5-2MR) of high strength steel, hot dip galvanized after fabrication per ASTM-153 specifications, with a 7.25" diameter bolt circle, a 0.75" mud ring, and standard base depth of 5". The mud ring shall be detachable from the base. Mounting base without mud ring shall be made available upon request. The base shall be supplied with a plywood cover to protect the mounting flange during installation.
- **Warranty** - Individually ordered parts (with the exception of halogen lamps which shall be warranted for 3 months from date of shipment) shall be warranted by the manufacturer against defects in materials and workmanship for one year from the date of shipment in non-snowplow applications. The Under Vehicle Inspection light packages (ZA292, base, etc.) shall have a five-year warranty against defects in materials and workmanship from the date of shipment in non-snowplow applications.



**ZA292 Parts Breakout**

### Common Replacement Parts

1..... Body Casting	ALT .. 50W, 230V, MR16.....LA-64826
2..... Bottom Cover Casting .....	80-040206
3..... Elky Gland Set .....	80-021114/5/6
4..... Bottom Cover Gasket .....	80-033080
6..... Prism Clamp .....	80-021307
8..... Bottom Cover Spinning Clamp.....	80-021311
15..... Prism Clamp Gasket .....	80-021309
16..... Prism Gasket.....	80-033090
18..... White (Clear) Prism Dome.....	80-016077
20..... 50W, 120V, MR16.....	LA-008084
22..... Lamp Gasket .....	80-033077
23..... Lamp Retaining Spring.....	80-032039
24..... 2-Pin Male Connector.....	TRC-10518-114-D02
25..... 2-Conductor Female Connector ..	TRC-1051903021
26..... 3-Pin Male Connector.....	80-013031
27..... 3-Conductor Female Connector ..	80-012022
30..... 120V/240V lamp holder .....	80-015057
31..... Pressure Test Plug .....	80-021256
ALT .. Schrader Tank Valve.....	80-021327

**Visit our web site: [www.flightlight.com](http://www.flightlight.com)**

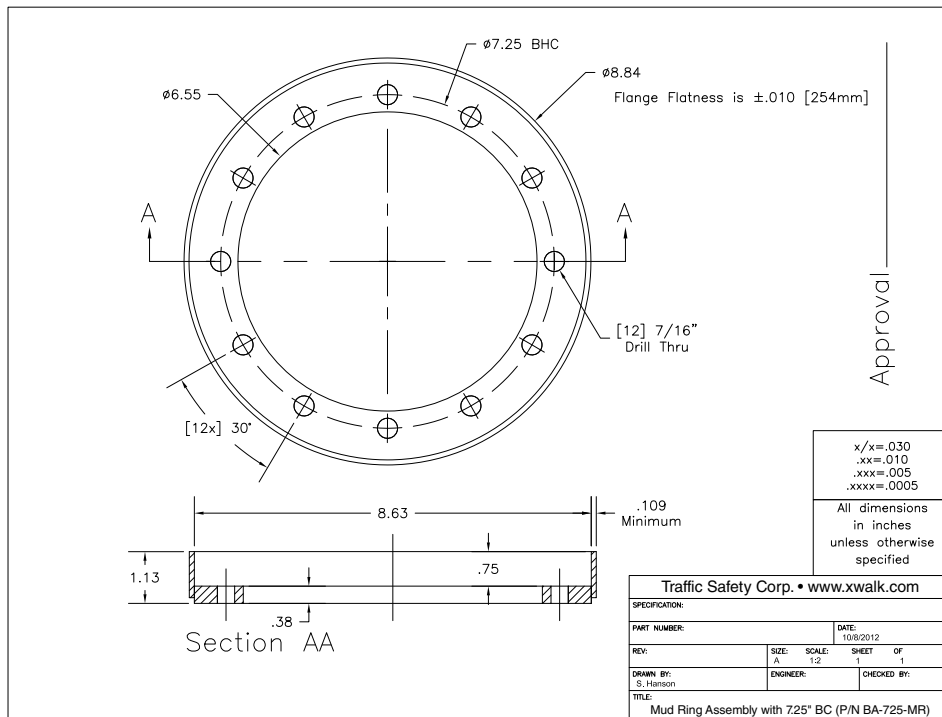
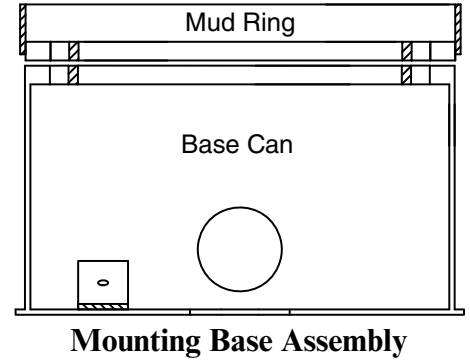
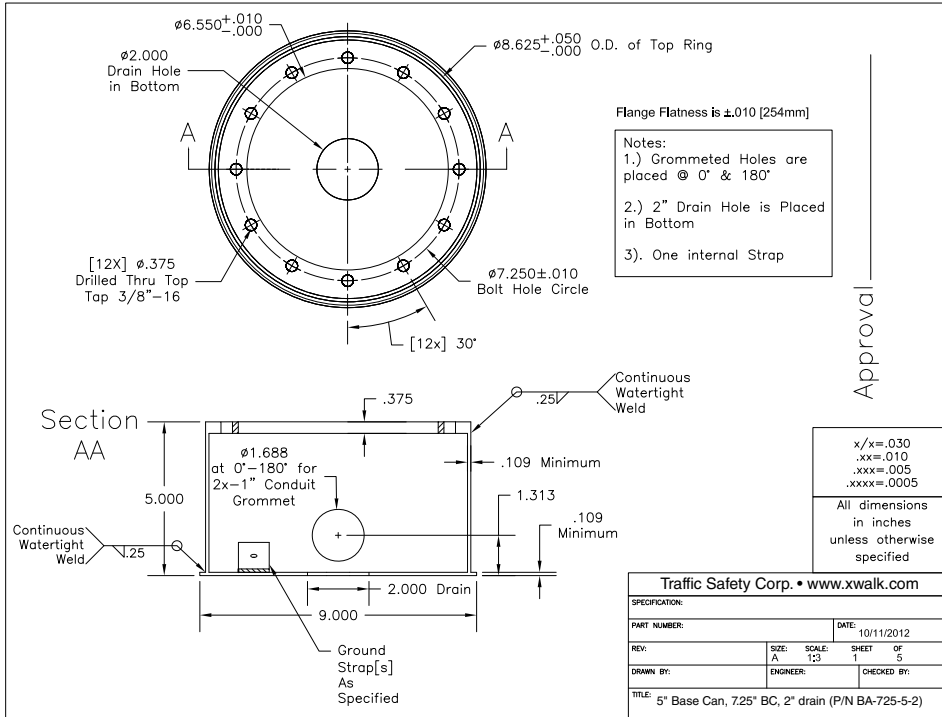


**Flight Light Inc.**  
 2708 47th Ave.  
 Sacramento, California, U.S.A.  
 95822-3806

+1.800.806.3548  
 +1.916.394.2800

www.flightlight.com  
 sales@flightlight.com

**ZA292**  
**Under Vehicle Inspection**  
**Light Packages**



**Visit our web site: [www.flightlight.com](http://www.flightlight.com)**