



Flight Light Inc.
2708 47th Ave.
Sacramento, California, U.S.A.
95822-3806



atg airports ZA181 High Intensity Runway
Centerline and Touch Down Zone Inset Light
FAA Compliant: L-850A & B

+1.800.806.3548 www.flightlight.com
+1.916.394.2800 sales@flightlight.com

Compliance and Applications

FAA Compliant: L-850A, L-850B
AC 150/5345-46D
NATO Stanag 3316
ICAO Annex 14

Category I, II and III all weather operation airfield lighting systems.

Suitable for use as high intensity inset runway centerline and touch down zone lights.

Features

- Lightweight and robust aluminum alloy construction.
- Prism removal and replacement achieved without need for adhesives or sealants.
- Pre-focused optics simplify maintenance.
- Pressure test plug ensures moisture-proof light cavity.
- Installation and maintenance manual AVD 104.

Specifications

- Low profile: 0.47" (12mm) projection.
- Long life lamps: 1,500 hours at full intensity. Over 3,500 hours in normal use.
- 6.6A from 45W, 100W, or 200W isolating transformer. TDZ uses 1@45/49W lamp. RWCL uses 2@45/49W lamps.
- Corrosion resistant anodized finish. Stainless steel fasteners.
- Net weight 11 lb. (5kg). Gross weight 13.2 lb. (6kg). Carton size 8.7 in. x 8.7 in. x 5 in. (220mm x 220mm x 126mm).



Application Variations

FAA#	Application	Config.	Lamps	Color	Code
L-850A ..	Centerline.....	Bidirectional.....	2.....	White/White.....	80-ZA181iWW
L-850A ..	Centerline.....	Bidirectional.....	2.....	White/Red.....	80-ZA181iWR
L-850A ..	Centerline.....	Unidirectional.....	1.....	Red/Blank.....	80-ZA181iRX
L-850B...	Touch down zone ...	Unidirectional.....	1.....	White/Blank.....	80-ZA181iWX

Ordering Code

Fixture	Color (LH)	Color (RH)	Plug Leads	Lamps	Bypass
80-ZA181i	W: White R: Red X: Blank	W: White R: Red X: Blank	1: Single 'B' type 2: Two 'B' type	1: Single 45/49W 2: Two 45/49W 3: Single 105W 4: Two 105W	B: Lamp bypass Blank: No bypass

If mounting on L-868B base, order with 12" FAA L-868B mounting adapter (BA-AA122820), sold separately.

80-ZA181i					
-----------	--	--	--	--	--

Visit our web site: www.flightlight.com



Flight Light Inc.
2708 47th Ave.
Sacramento, California, U.S.A.
95822-3806



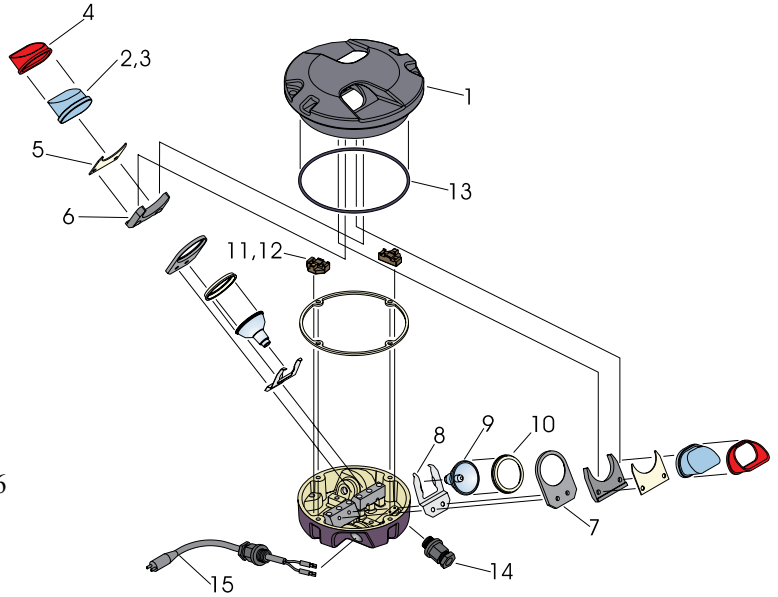
atg airports ZA181 High Intensity Runway
Centerline and Touch Down Zone Inset Light
FAA Compliant: L-850A & B

+1.800.806.3548
+1.916.394.2800

www.flightlight.com
sales@flightlight.com

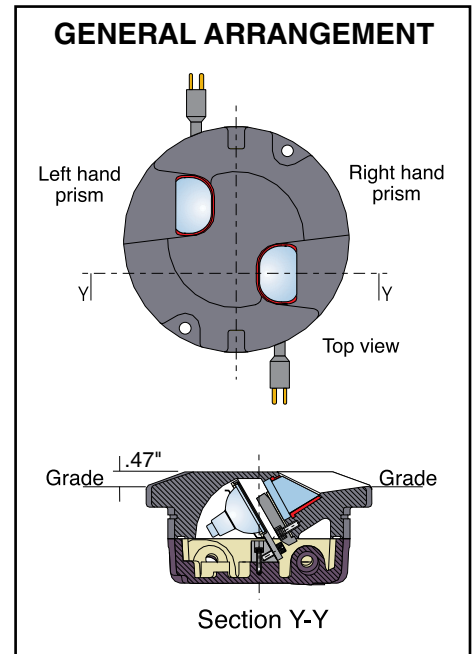
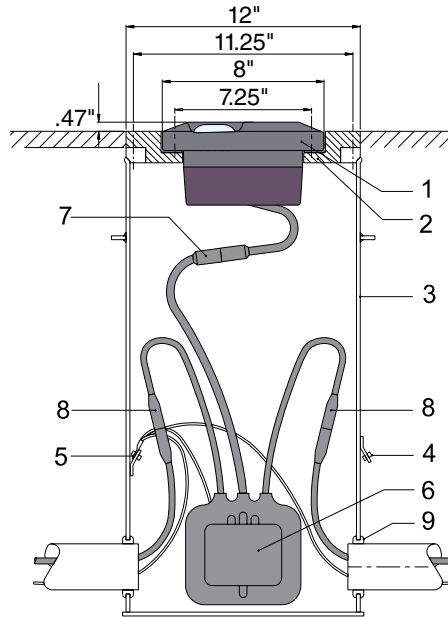
Components

1	Body casting	
2/3	White (clear) prism	80-016069
2/3	Red dichroic prism	80-019141
2/3	Blank for prism aperture	80-040092
4	Prism gasket	80-033058
5	Prism clamp gasket	80-033069
6	Prism retaining clamp	80-032037
7	Lampholder	80-032040
8	Lamp retaining spring	80-032039
9	Lamp, MR16, 6.6A, 49W	80-008065
10	Lamp gasket	80-033077
11	Lamp by-pass disc assembly	80-031030
12	45W by-pass disc	80-021134
13	'O' ring seal	80-033070
14	Cable gland assembly	80-021114/5/6
15	'B' type plug lead	80-013001



ZA181 on L-868 Base

1. ZA181 fixture
2. 12" FAA L-868B mounting adapter (BA-AA122820)
3. FAA L-868 base (one piece)
4. Outer earth terminal
5. Inner earth terminal
6. Isolation transformer (L-830)
7. Secondary connection
8. Primary connector (L-823)
9. Grommet



Visit our web site: www.flightlight.com



Flight Light Inc.
 2708 47th Ave.
 Sacramento, California, U.S.A.
 95822-3806



atg airports ZA181 High Intensity Runway
 Centerline and Touch Down Zone Inset Light
 FAA Compliant: L-850A & B

+1.800.806.3548 www.flightlight.com
 +1.916.394.2800 sales@flightlight.com

Adapter Ring for 12" L-868B Base Can to 8" Inset Fixture



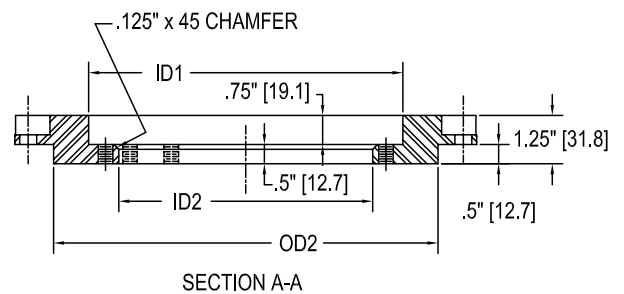
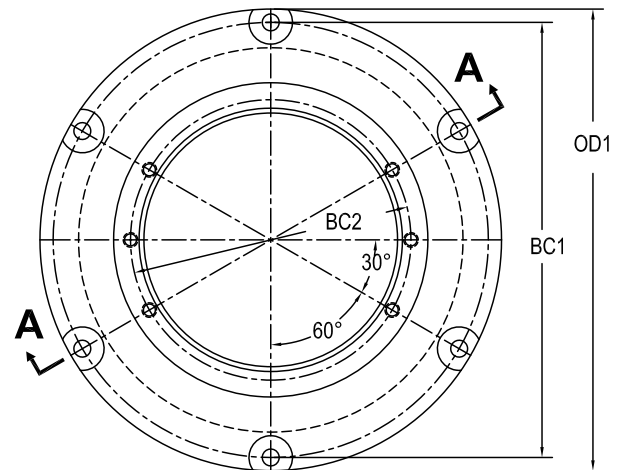
Compliance and Applications

Certified to FAA AC 150/5345-42 (Current Revision), Size: B=12"

Adapter ring for mounting 8" diameter (7.25" BC) inset fixture to 12" L-868B base can.

Specifications

- Ductile iron castings with a black powder coat finish
- (6) 7/16" Ø equally spaced, thru holes with 1-1/8" Ø x 1/2" deep counter bore
- (6) 3/8"-16 tapped holes
- Adapter rings are shipped with:
 - (2) 3/8"-16 x 1-1/4" stainless hex head cap screws
 - (2) 3/8", 2 piece locking washers
 - (1) Bolt Set containing:
 - + (6) 3/8"-16 x 1" stainless hex head cap screws
 - + (6) 3/8", 2 piece locking washers



Ordering Codes

Part #	OD1	BC1	OD2	ID1	BC2	ID2
BA-AA122820 12" L-868B	11.938" (303.2)	11.25" (285.8)	9.938" (252.4)	8.125" (206.4)	7.25" (184.2)	6.563" (166.7)

(length in mm)

Visit our web site: www.flightlight.com