



**Flight Light Inc.**  
 2708 47th Ave.  
 Sacramento, California, U.S.A.  
 95822-3806



+1.800.806.3548  
 +1.916.394.2800

www.flightlight.com  
 sales@flightlight.com

**White Flashing  
 Omni-Directional Approach Lights:  
 (ODALs) FAA L-859**

**Omni-Directional Approach Lights (ODALs)**

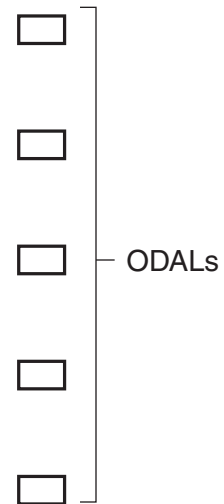
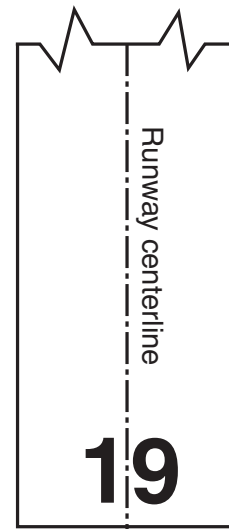
ODALs are used to identify the approach end and centerline of the runway. The omnidirectional horizontal beam pattern, bright flashes and a sequential strobing flash pattern that rolls

toward the runway threshold helps the pilot identify the runway in use. Three intensity settings allow the approach to be used under changing weather conditions.



**ODAL  
 FAA Type L859  
 Style F**

<b>COMMON FEATURES</b>	<p><b>Flashhead</b></p> <ul style="list-style-type: none"> <li>• High Intensity: 5,000 effective candela nominal</li> <li>• Medium Intensity: 1,500 effective candela nominal</li> <li>• Low Intensity: 300 effective candela nominal</li> <li>• 60 flashes per minute - day</li> </ul>	<p><b>Compliances</b></p> <ul style="list-style-type: none"> <li>• FAA Advisory Circular 150/5345 - 51</li> <li>• Transport Canada K312</li> </ul> <p>Instruction manuals and maintenance support available</p>
<b>VOLTAGE POWERED</b>	<p><b>Power Converter</b></p> <ul style="list-style-type: none"> <li>• 240vac + 10% 60Hz, 1 Phase; 50Hz system</li> <li>• 120w (high); 85w (medium); 65w (low)</li> </ul>	<ul style="list-style-type: none"> <li>• 300 va (high intensity)</li> <li>• Solid state circuitry</li> <li>• Safety interlocks</li> <li>• Internal surge protection</li> </ul>
<b>CURRENT DRIVEN</b>	<p><b>Power Converter</b></p> <ul style="list-style-type: none"> <li>• Directly connected to secondary of standard FAA type L-830 isolation transformer</li> <li>• 120w (high); 85w (medium); 65w (low)</li> </ul>	<ul style="list-style-type: none"> <li>• 300 va (high intensity)</li> <li>• Solid state circuitry</li> <li>• Safety interlocks</li> <li>• Internal surge protection</li> </ul>



**Visit our web site: [www.flightlight.com](http://www.flightlight.com)**

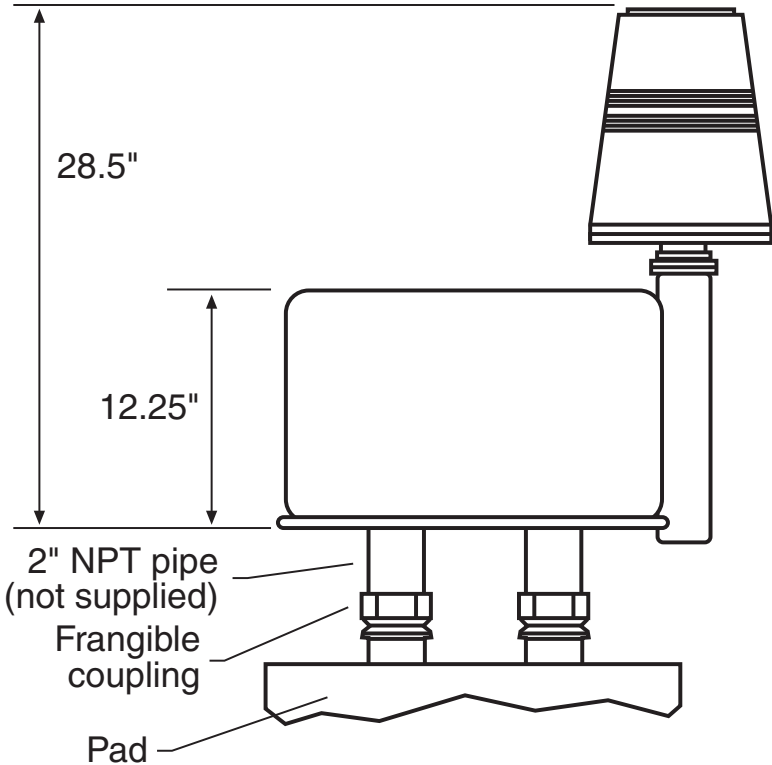


Flight Light Inc.  
 2708 47th Ave.  
 Sacramento, California, U.S.A.  
 95822-3806  
[www.flightlight.com](http://www.flightlight.com)  
[sales@flightlight.com](mailto:sales@flightlight.com)

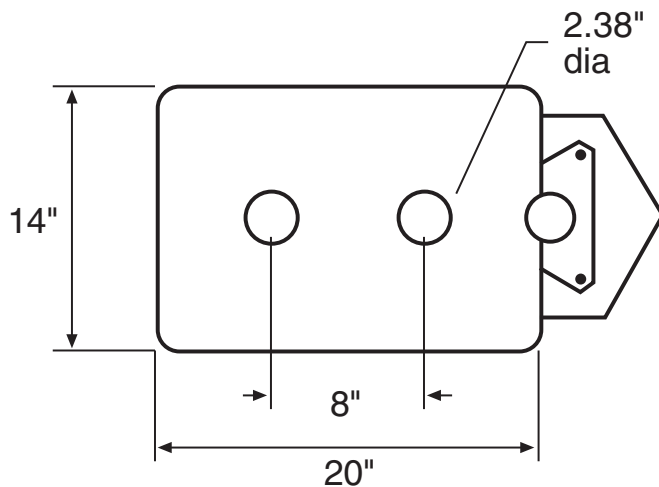
+1.800.806.3548  
 +1.916.394.2800



**White Flashing  
 Omni-Directional Approach Lights:  
 (ODALs) FAA L-859**



Ordering Codes		
Fixture	Config.	Power
38-FTS 417	Omnidirectional	Voltage-powered
38-FTS 437	Omnidirectional	Current-driven



**For technical  
 information  
 and renewal parts  
 call 1-800-806-3548**

**Visit our web site: [www.flightlight.com](http://www.flightlight.com)**