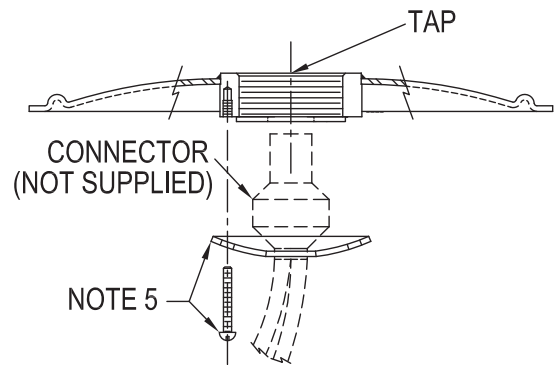


L-867B & L-867D Corten Base Plate



Notes

- ETL Certified L-894 Elevated Light Covers (FAA AC 150/5345-42)
 - Sizes: 12" L-867B & 16" L-867D
 - Ground required
- Material: .109" min. thickness Corten A606 steel
- Finish: Aviation yellow powder coat
- (6) 7/16" Ø equally spaced, thru holes
- Base plate shipped with:
 - Neoprene gasket:
 - 12" L-867B: BA-2052
 - 16" L-867D: BA-6052
 - Hardware pack up #6120 which contains:
 - (1) 3 hole cable clamp (8089)
 - (3) #10-24 x 1-1/2" SS machine screws (10670781)
- Grounded version available (see p.K-01f)
Add "G" suffix to part number
- (1) 1/4" Ø Weep Hole Standard
Add "AK" suffix to P/N for baseplate w/o weep hole,
Foam Gasket & 6120 pack up (Alaskan Application)
- Other thread types available (e.g. 2"-11 BSP)



Ordering Codes

Part #	Type	OD (mm)	BC (mm)	Tap (mm)
BA-1932	12" L-867B	12" (304.8)	10.25" (260.4)	2" (50.8) NPS
BA-1935	12" L-867B	12" (304.8)	10.25" (260.4)	1-1/2"-12 (38.1) NF
BA-2932	16" L-867D	16" (406.4)	14.25" (362)	2" (50.8) NPS
BA-2935	16" L-867D	16" (406.4)	14.25" (362)	1-1/2"-12 (38.1) NF

* Ground required for ETL certification. Add "G" suffix to part number.

