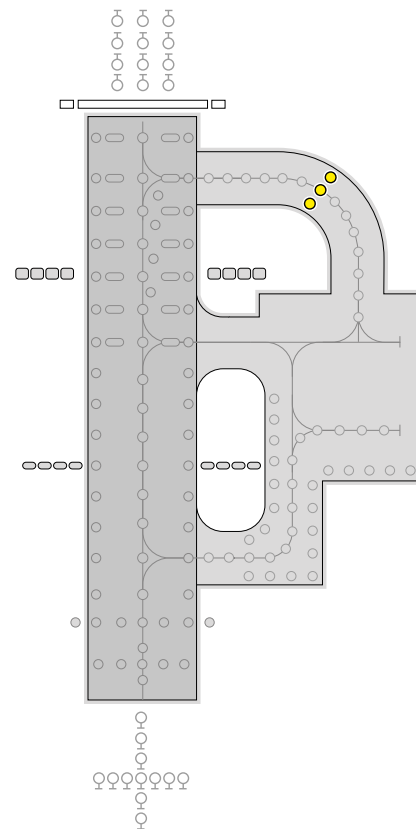
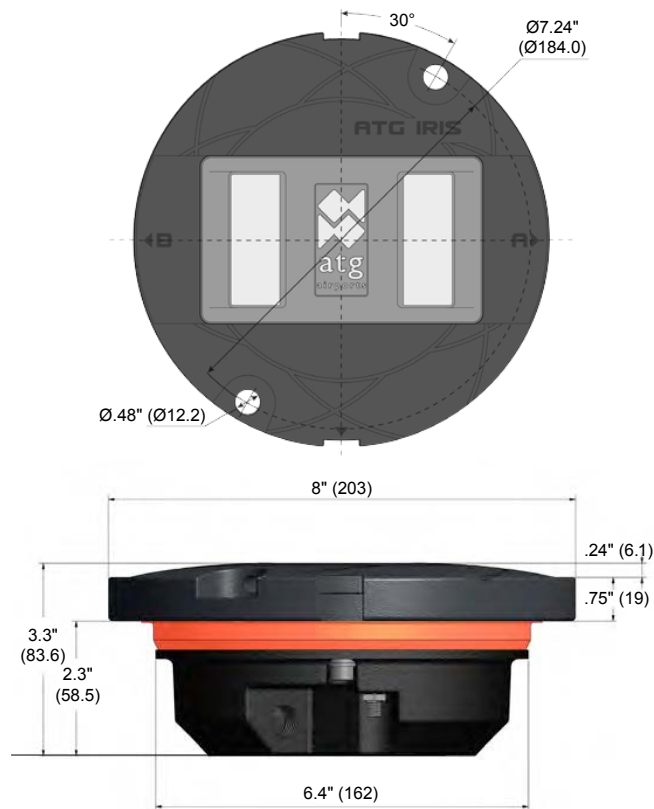


# IR852SK | L-852SK(L) IRIS LED 8" Stopbar Intensity Lighting Solutions, Curved Section

## Compliance and Applications

- ICAO Annex 14
- FAA AC150 5345 46
- FAA Engineering Brief 67
- IEC61827
- MAA (Military Aviation Authority)

IRIS LED high intensity, bi-directional/uni-directional stopbar (curved sections) fixture suitable for CAT III all weather operation airfield ground lighting (agl) systems. The goal of the IRIS range is to enhance the efficiency of an airfield by optimizing power consumption, increasing reliability and reducing costs to the airport.



Ordering Codes IR852S (K(L))

**Application**  
L-852K(L)

**Beam Type**  
**A Side**  
 4 = Curve left  
 5 = Curve right  
 6 = Blank  
 .....  
**B Side**  
 4 = Curve left  
 5 = Curve right  
 6 = Blank

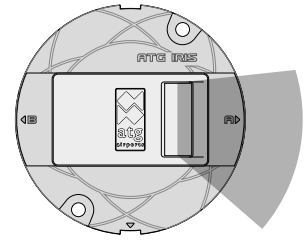
**Color**  
**A Side**  
 R = Red  
 B = Blank  
 .....  
**B Side**  
 R = Red  
 B = Blank

**Specification**  
 1 = FAA  
 2 = ICAO

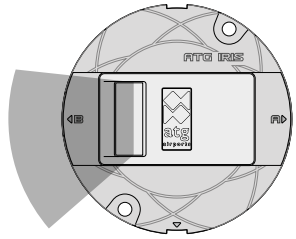
**Connections**  
 1 = 1 Plug Bi Pin  
 2 = 2 Plug Bi Pin

**Open Circuit (Fail Open) Feature**  
 0 = No Open Circuit  
 1 = Open Circuit

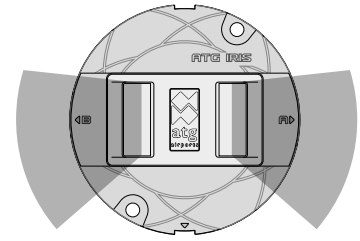
**Beam Options**



IR850SK(L)  
Uni-Directional



IR850SK(L)  
Uni-Directional



IR850SK(L)  
Bi-Directional

Additional optional features are available upon request.

**Packaging**

- Net weight: 6.88 lb. (3.12Kg)
- Gross weight: 7.76 lb. (3.52Kg) (boxed)
- Box: 10.2" (260mm) (L) x 10.2" (260mm) (W) x 6.9" (175mm) (H)

## Electrical Performance

Main Beam Aperture		Color	Typical Power Consumption - Watts (VA) @ 6.6A				
Horiz(°)	Vert(°)		Per Beam Watts	Fixture* Watts (VA)	PF	Tx Primary** Watts (VA)	PF
-3.5 to +35	1 to 10	RED/RED	6.36/ 6.36	31.22 (31.29)	0.997	41.64 (42.11)	0.989
-3.5 to +35	1 to 10	RED/BLK	6.36/-	18.28 (18.35)	0.995	28.85 (29.69)	0.972

\* as measured at the input leads of the fixture.

\*\* as measured across the primary winding of an appropriately sized isolation transformer with a total fixture and transformer secondary length not exceeding ~ 1.85m (72").

Note: Isolating transformer shall be suitably sized to accommodate specific secondary and other applicable losses.

## Environmental Conditions

- ▶ Ambient Temperature -55 °C to +55°C (-67 °F to +131°F)
- ▶ Storage Temperature -55°C to +55°C (-67 °F to +131°F)
- ▶ Ingress Protection IP67

## Photometry

### Specification

#### Stopbar - Curved Beam

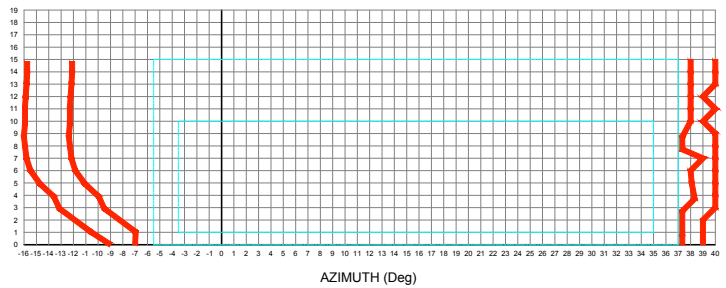
Color	Red
Max/Min Intensity Ratio	<3.0
Main rect. average intensity	100 cds
Main rect. minimum intensity	50 cds
Second rect. minimum intensity	10 cds

### Typical Measured Values

#### Stopbar - Curved Beam

Color	Red
Max/Min Intensity Ratio	2.89
Main rect. average intensity	131 cds
Main rect. maximum intensity (A)	182 cds
Main rect. minimum intensity (B)	63 cds
Second rect. minimum intensity	45 cds

Intensity Chart - IRIS Stopbar (Curved-left) Red



Intensity Chart - IRIS Stopbar (Curved-right) Red

