



Toll Free: 800.806.3548  
 Tel: 916.394.2800  
 Email: sales@flightlight.com  
 Web: www.flightlight.com

# FL-81021 Photo Control PCR Series



The PCR Series of photo control is a combination of precision electronic circuitry, electromechanical output, and unique molded plastic housing. Designed and built to meet the demands of the most rigorous requirement of tower and obstruction lighting control, each unit is factory calibrated to meet FAA and FCC specifications. Electronic circuit, output contactor, and terminal block are all contained within front plastic housing. Edge support molded into the bottom edge of housing allows easy wiring of new and existing installations. Available with or without cast aluminum junction box.

### Features:

- Automatic lighting circuit operation: dusk to dawn
- Meets FAA/FCC requirements for obstruction lighting
- Two 20A load contacts
- Direct replacement of popular photo controls
- Time delay eliminates contact chatter

### Available Models:

- PCR10
- PCR11
- PCR12
- PCR13

### Operation

When the amount of light sensed falls below the actuation level for energization, the output relay energizes. Conversely, when the amount rises above the actuation level for de-energization, the output relay de-energizes.

### Order Table:

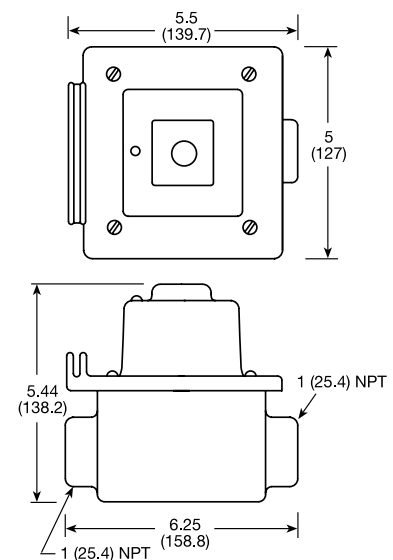
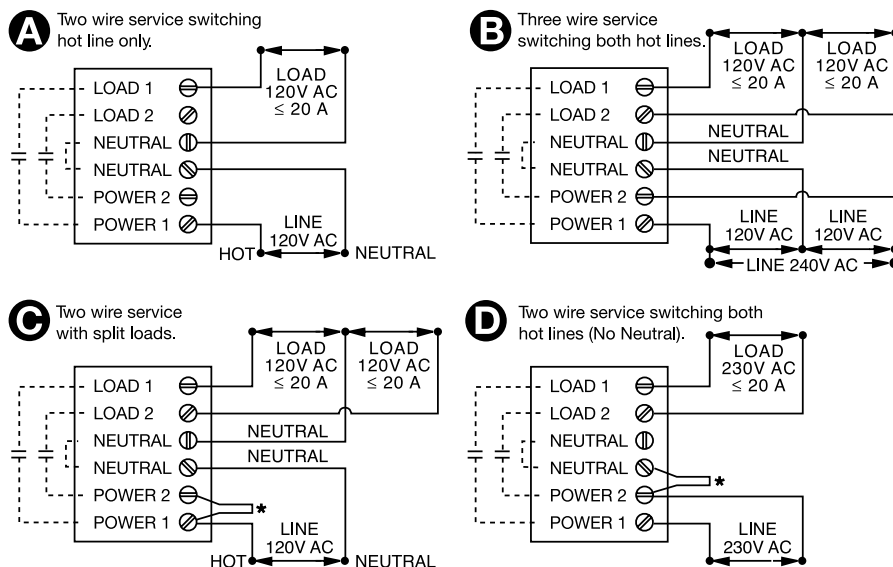
Input	Description	Part Number
120VAC	Photo Control without aluminum box	PCR10
230VAC	Photo Control without aluminum box	PCR12
120VAC	Photo Control with aluminum box	PCR11
230VAC	Photo Control with aluminum box	PCR13

Part Number	REPLACES	
	Hughey & Phillips	Crouse Hinds
PCR11	PC800 120V	PEC52010
PCR13	PC800 240V	PEC52010-1

### Specifications:

Indication	LED indicates power is applied
Light Actuation Levels (Factory Calibrated)	Energized: $\leq 35$ fc De-energized: $\geq 60$ fc
Voltage	120VAC or 230VAC
AC Line Frequency	50/60Hz
Tolerance	120 & 230VAC: -20% - 10%
Output Rating	Two SPST NO 20A contacts 1 hp @ 120VAC 2.5 hp @ 240VAC
Termination	Screw terminals for up to #8 (M4 x 0.7) AWG wire
Dimensions	ABS plastic housing with gasket seal. Multiple knockout holes for optional mounting to Crouse Hinds or Hughey & Phillips cast aluminum electrical boxes.

### PCR Series Connection Diagrams



\* Customer Supplied Jumper    - - - - Internal Connection