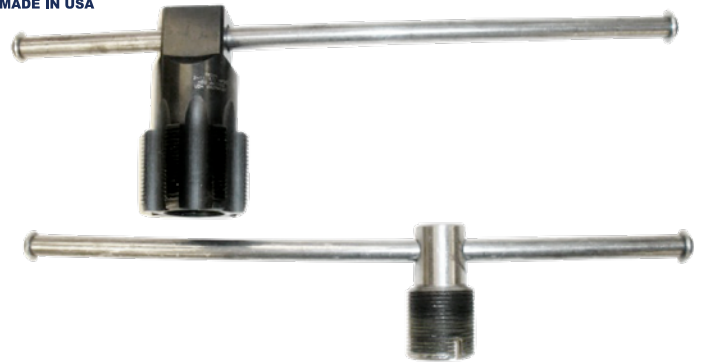


Base Plate Thread Repair Taps

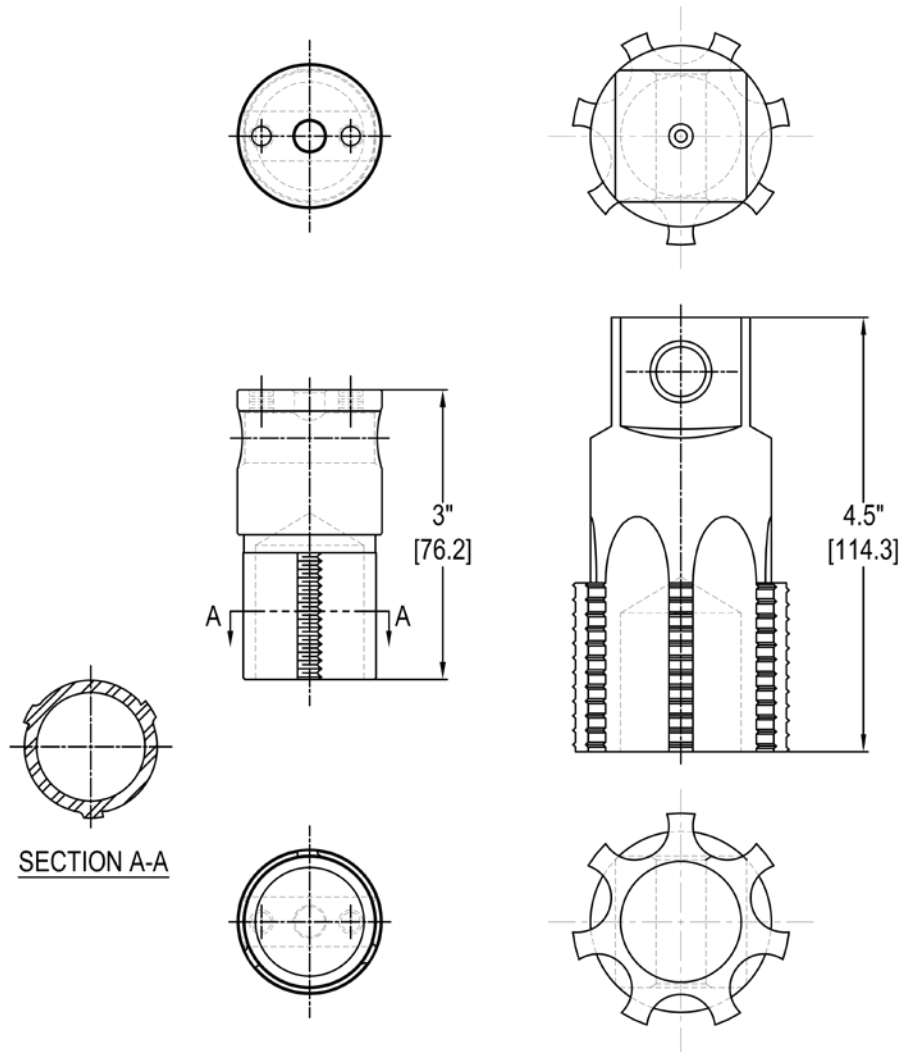


- For the restoration of damaged threads in either 1-1/2" or 2" tapped base plates.
- Taps have recess on the bottom that allows for re-tapping without removal of L-823 secondary connector.
- Each tap includes 15" torque bar.

Models

AW7015: 1-1/2"-12

AW7020: 2" NPS



AW7015
1-1/2"-12

AW7020
2" NPS

[] = dimensions in metrics; mm