

# A704 Solar Medium Intensity Runway Light

The A704 meets traditional airfield requirements in an easy-to-install, low maintenance package.

- Third-party tested for ICAO and FAA compliance
- Long-lasting batteries
- Available in 3 battery sizes

## Applications

- Medium-intensity runway edge & threshold (MIRL)
- Simple approach lighting
- NVG operations, covert-only mode
- Emergency or temporary lighting

## Advanced Design

- Improved optical efficiency with latest LEDs
- High-efficiency monocrystalline solar panels
- Reduced standby power consumption
- Multiple battery sizes for best value-for-performance
- Optional wireless control provides remote operation using either 900 MHz or 2.4 GHz communication

## Easy Installation

Limited crew. No trenching. No airfield interruptions. Just place the A704 and it emits light dusk-to-dawn while maintaining its battery.

## Low Maintenance

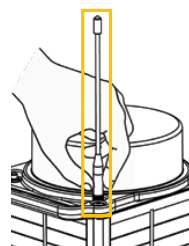
The A704 integrates solar panels, battery, electronics and LED light source into a compact, stand-alone unit requiring minimal maintenance for 7 years on average.

## Reliable

The Energy Management System (EMS) monitors all operations to provide consistent output in the harshest environments. Testing to ICAO, FAA and MIL specifications ensures high performance for many years.

## Trusted

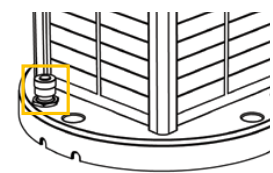
With thousands of installations worldwide, our solar LED lights operate year-round at over 500 airports and military bases.



Optional wireless control



Optional handheld controller  
- 900 MHz OR 2.4GHz with encrypted signal  
- Control 8 groups of lights



Optional military and barrel charge ports

+1.800.806.3548 USA  
+1.916.394.2800 Worldwide

[www.flightlight.com](http://www.flightlight.com)  
[sales@flightlight.com](mailto:sales@flightlight.com)

Flight Light Inc., 2708 47th Ave.  
Sacramento, CA, 95822, USA

**A704 Specifications**

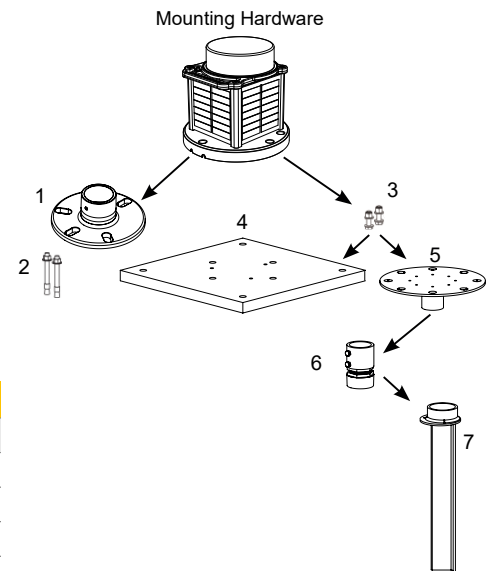
SPECIFICATIONS		WEIGHTS AND DIMENSIONS	
Compliance	ICAO MIRL (Annex 14, Vol. 1, 5.3.9.9)	<b>COMPACT</b> 12.4 lbs (5.6 kg) Battery (60X) - 4.2V, 15 Ahr	
	FAA L-861 MIRL (AC 150/5345-46E, EB67)		
	FAA L-861E & L-861SE MIRL (AC 150/5345-46E, EB67)		
	FAA L-860 LIRL (AC 150/5345-46E, EB67)		
	FAA L-863 Portable (AC 150/5345-50)		
	FAA L-858 Sign Lighting (AC 150/5345-44)		
	FAA L-810 Red (AC 150/5345-43)		
	ICAO Annex 14 Red Low-Intensity Obstacle Light Type A and Type B, 8th edition		
Optical	Red output for airport barricade and construction applications (CFR Part 139, FAA AC 150/5370-2G)	<b>STANDARD</b> 16.4 lb (7.4 kg) Battery (96E) - 4.2V, 24 Ahr	
	High-powered LEDs meet IES LM-80 lumen maintenance ensuring consistent photometrics for life of product		
	ICAO, SAE25050 (FAA) and FAA EB 67 compliant chromaticity		
	NVG-compatible infrared LEDs		
Solar Panel	Steady-on and flash, IR only mode	<b>LARGE</b> 24.5 lbs (11.1 kg) Battery (200BC) - 4.2V, 50 Ahr	
	High-efficiency solar cells with blocking diodes		
Battery	Maximum power point tracking with temperature compensation (MPPT-TC) for optimal energy collection in all solar conditions	Pure-lead VRLA AGM battery with manufacturer operating range -85 to 176°F (-65 to 80°C) Onboard battery status	
	Optional port for battery charging and cabled operation		
	Designed for 5-year battery life; Replaceable and recyclable		
Energy Management System (EMS)	2500 cycles or 7-year lifetime on average	Intelligent, microprocessor Onboard diagnostics and data-logger Push button interface for local control Autonomous (dusk-to-dawn), temporary, continuous and emergency modes	
	Intelligent, microprocessor		
	Onboard diagnostics and data-logger		
	Push button interface for local control		
Automatic Light Control (ALC)	When enabled, automatically adjusts to low levels of sunlight to ensure continuous operation		
Construction	Premium, UV-resistant polycarbonate lens (jet blast resistant glass lens available)	Corrosion-resistant, powder-coated aluminum chassis with integrated handle Waterproof, vented battery compartment	
	Corrosion-resistant, powder-coated aluminum chassis with integrated handle		
Temperature	-22 to 122°F (-30 to 50°C) Optimal -40 to 176°F (-40 to 80°C) Maximum		
Wind Loading	400 mph (644 kph)		
Ice Loading	0.03 psi (22 kg/m <sup>2</sup> )		
Shock & Vibration	MIL-STD-202G and MIL-STD-810G		
Ingress	EN 60529 IP 67 immersion	MIL-STD-202G immersion & damp heat cycling MIL-STD-810G rain & salt fog	
	MIL-STD-202G immersion & damp heat cycling		
	MIL-STD-810G rain & salt fog		
CONFIGURATION			
Model	Color	Battery Size	
A704	White/IR	Compact Standard Large	
	White/Yellow/IR		
	Red/Green/IR		
	Green/IR		
	Yellow/IR		
	Red/IR		
	White/Red/IR		
Lens	Control	Charge Port	
Polycarbonate Tempered Glass	Non-wireless Wireless (900 MHz) Wireless (2.4GHz)	None Charge Port Military Charge Port	

**A704 Intensities (cd)**

A704	Auto Low	Auto Medium	Auto High	Temp Low	Temp Medium	Temp High						
White	6	13	25	25	75	250						
White/Yellow	6	4	13	8	25	15	25	15	75	45	250	150
Red/Green	4	1	9	3	18	5	18	5	53	15	175	50
White/Red	6	1	13	3	25	5	25	5	75	15	250	50
Yellow/Red	4	1	8	3	15	5	15	5	45	15	150	50
Green/Yellow	4	4	9	8	18	15	18	15	53	45	175	150
Yellow	4	8	15	15	45	150						
Green	26	44	66	218	258	323						
Red	15	37	47	15	37	47						
Infrared/NVG (mW/sr)	16	34	80	16	34	80						

**A704 Accessories**

MOUNTING		
REFERENCE	PN	DESCRIPTION
1	82612	Frangible floor flange
2	76520	Anchor bolt kit
3	76516	Standard bolt kit, 700 series (2x stainless steel bolts)
4	81802	16 x 16" rubber mat
5	65714	Standard mounting plate
6	65711	Frangible coupling, 1.5" pipe x 2 thread
7	38925	2" hub stake - 15" long
-	65717	Extended mounting plate

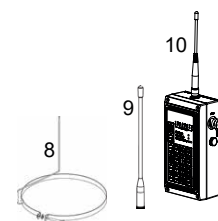


BATTERY/CHARGER		
REFERENCE	PN	DESCRIPTION
-	72890	Battery kit, A704 compact
-	72891	Battery kit, A704 standard
-	72892	Battery kit, A704 large
-	74314	Battery charger, A704 with military charge port, 100-240 VAC, 50/60 Hz
-	69885	Battery charger, A704 battery pack and barrel charge port, 100-240 VAC, 50/60 Hz

OPTICS		
REFERENCE	PN	DESCRIPTION
-	74690	Optical shield, 180 degree, several models
-	Inquire	Head kit, several models

MISCELLANEOUS PARTS		
REFERENCE	PN	DESCRIPTION
8	40865	A704 series bird deterrent
9	56150	Replacement antenna
10	-	Handheld Controller (see page 2 for additional wireless control options)
-	48984	Installation tool kit with 5/32" security bit for head/battery changes and small socket set

Miscellaneous Parts



+1.800.806.3548 USA  
 +1.916.394.2800 Worldwide

[www.flightlight.com](http://www.flightlight.com)  
[sales@flightlight.com](mailto:sales@flightlight.com)

Flight Light Inc., 2708 47th Ave.  
 Sacramento, CA, 95822, USA