

OL2A Solar Safety Light

Applications

A practical, compact and low-maintenance solution for marking barricades, fencing, construction areas, ground obstacles and other hazards. Ideal for remote or hard-to-access locations.

- More than three times the range of the original OL2.
- Custom optics, high-efficiency solar panels and premium materials.
- Excellent value and extremely reliable operation (5+ years).

Advanced Optics

- Up to 29 cd intensity.
- Up to 40 user-adjustable flash patterns with ability to direct enter intensity.
- Available in red, white, green, yellow and blue.

Easy Installation

- Installs in minutes; "out-of-box" operation.
- Flange-mount and pole-mount options.
- Automatic dusk-to-dawn operation or optional on/off switch.
- Optional mini IR remote accessory.

Low Maintenance

- Replaceable batteries: AA NiMH, high-temperature-rated.
- Next generation, energy-saving Automatic Light Control; five-day data trending regulates intensities for longer battery life and optimal performance 12-months a year.

Reliable

- Premium grade, UV resistant polycarbonate body and lens material.
- Waterproof; IP 68 immersion.
- Ventilated battery compartment.
- Life expectancy over 15 years; 3 year warranty.



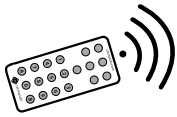
Ordering Codes

Model	Output	Mount
OL2A	R: Red G: Green W: White Y: Yellow B: Blue IR: Infrared	FM: Flange Mount FMS: Flange Mount with Switch PM: Pole Mount

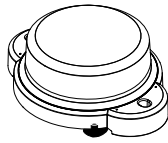
+1.800.806.3548 USA
 +1.916.394.2800 Worldwide

www.flightlight.com
sales@flightlight.com

Flight Light Inc., 2708 47th Ave.
 Sacramento, CA, 95822, USA



OPTIONAL INFRARED PROGRAMMER



FLANGE MOUNT

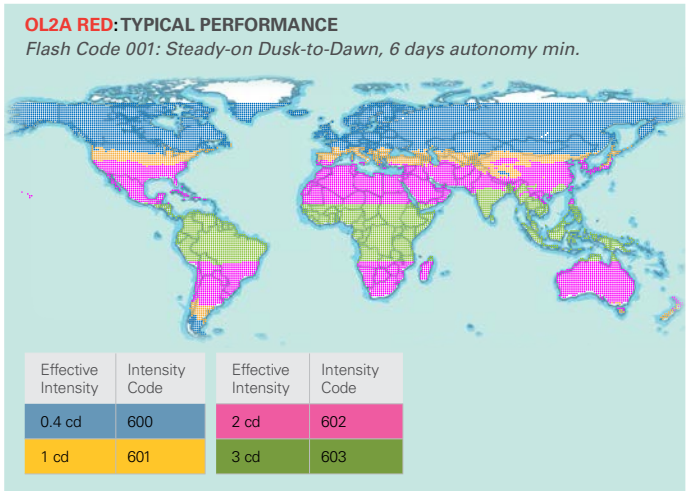


POLE MOUNT

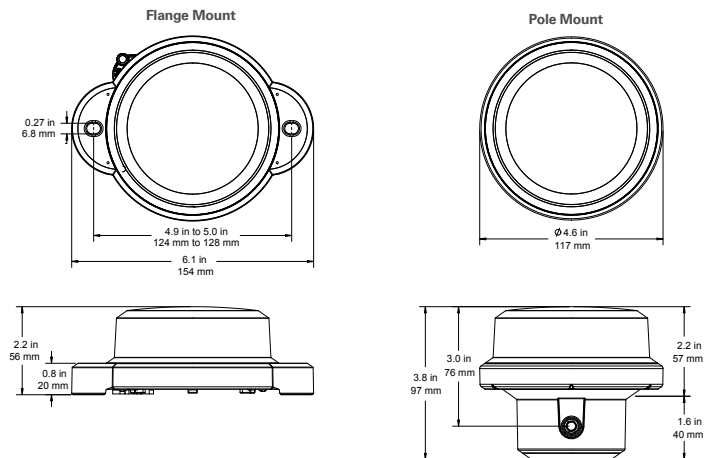
SPECIFICATIONS	
Optical	29 cd peak intensity; see table
	High Power LED
	Red, Green, White, Yellow, Blue
	Proprietary optical design
	40 flash patterns
Energy Collection	Best-in-class high-efficiency solar cells 0.6W
Battery	Three high-temperature NiMH AA batteries rated for -40 to 185 °F (-40 to 85 °C)
	Designed for 5 year battery life; Replaceable and recyclable
Energy Management System (EMS)	Intelligent, microprocessor EMS
Automatic Light Control 2.0 (ALC 2.0)	When enabled, ALC adjusts output intensity in response to unusually low amounts of sunlight to ensure continued operation
Programming	Programmable with optional infrared programmer
Construction	Premium grade UV resistant, polycarbonate body and lens
	Waterproof battery compartment with Gore® vent
	Color indicator matches LED color
Temperature	-22 to 122 °F (-30 to 50 °C) operating
	-40 to 176 °F (-40 to 80 °C) storage
Weight	Flange Mount: 0.8 lbs (0.37 kg), Pole Mount: 0.9lbs (0.40 kg)
Mounting	Flange or pole-mount options. Refer to dimensional diagram for details
Wind Loading	140 knots (72 m/s)
Ice Loading	0.03 psi (22 kg/m ²)
Shock & Vibration	MIL-STD-202G (for Shock and Vibration)
Ingress	IP 68 immersion, 24 hrs at 1 m (3 ft)
	MIL-STD-202G immersion & damp heat cycling
	MIL-STD-810G rain & salt fog
Compliance	RoHS; WEEE
	FCC, CE

PEAK INTENSITY	
COLOR	INTENSITY
Red	18 cd
Green	23 cd
White	29 cd
Yellow	25 cd
Blue	8 cd

Note: Peak intensity dependent on location and flash pattern.



DIMENSIONS



With sleeve: 1.9 in (48 mm) pole ID
 Without sleeve: 2.4 in (61 mm) pole ID
 Overtop mount: 2.8 in (71 mm) pole OD



+1.800.806.3548 USA
 +1.916.394.2800 Worldwide

www.flightlight.com
sales@flightlight.com

Flight Light Inc., 2708 47th Ave.
 Sacramento, CA, 95822, USA

OL2A SERIES ACCESSORIES

MOUNTING

REF.	PART NO.	DESCRIPTION
-	61867	Magnetic mounting kit (3 x magnets) ideal for mounting on cranes
-	61876	Magnetic sign mounting kit

BATTERY & HARDWARE

REF.	PART NO.	DESCRIPTION
-	70955	Battery replacement kit (3x batteries)
1A	38334	Bolt kit (1/4-20 UNC x 1.5" long x3)
1B	53290	Security bolt kit (1/4-20 UNC x 1.5" long x2) driver or socket not included

TOOLS

REF.	PART NO.	DESCRIPTION
6	69899	IR programmer, slim
-	53284	Security bolt kit driver
-	53285	Security bolt kit socket

1A/B



6

