



# LED Precision Approach Path Indicator

## AV-PAPI Series 3 (Voltage Powered Systems)



### Compliance

- Certified to FAA L880/881 AC 150/5345-28H Style A Class I, Style B Class I (includes Heated Lens and Tilt Switch options)
- Photometrically compliant to ICAO, DGAC and UFC standards
- Buy American List compliant

### Applications

- Airfield lighting

### Features

- Cost Effective
  - Low power consumption
  - Low maintenance
- High Performance
  - Fully integratable into an Avlite runway system
  - Remote control options
- Reliable
  - No bulbs blown – ever
  - Latest LED technology
  - No moving parts
- Optional Add-Ons
  - Solar power supplies
  - Mounting solutions
  - Marine grade stainless steel
  - External baffles (blinking devices)

The Avlite LED Series 3 PAPI is a highly efficient Precision Approach Path Indicator. It uses LEDs as a light source to reduce maintenance, lower power consumption, and increase reliability, safety and visibility. The light head unit is designed for energy efficiency, and can be supplied with AC or DC voltage input, or optional solar power supplies. The Series 3 is also available with optional marine-grade finishes to withstand prolonged exposure in environments with high humidity and salinity.

### Patented LED Optics

Innovative optics achieve the industry's lowest power consumption, uniform intensity, and sharpest red/white transition for critically accurate approach slope information to the pilot.

### Field Proven Design

The Avlite LED PAPI was developed by Laser Guidance Inc, a United States designer and manufacturer of high precision aviation lighting products. Now in its 3rd generation, over 100 systems have been deployed globally on all seven continents.



### Permanent or Portable Operations

Available with permanent frangible or temporary mounting legs, the PAPI is designed to support various usage conditions.

### Designed for Commercial or Military Applications

The Avlite LED PAPI is one of the only PAPIs on the market capable of supporting visual and infrared operational states within the same optic. Switchable by ground operators, the visual PAPI allows pilots to identify approach slope information using traditional means of WHITE/RED light or flashing infrared combinations.

+1.800.806.3548 USA  
+1.916.394.2800 Worldwide

[www.flightlight.com](http://www.flightlight.com)  
[sales@flightlight.com](mailto:sales@flightlight.com)

Flight Light Inc., 2708 47th Ave.  
Sacramento, CA, 95822, USA



**Technical Specifications .\***

AV-PAPI Series 3		AC	DC	
<b>Electrical Characteristics</b>				
Input Voltage	90-264VAC		24V Nominal (21 - 28 VDC)	
Input Frequency	50/60 Hz		N/A	
<b>Power Consumption</b>				
ICAO/FAA L-880 (4-Box)	328 VA		267 W	
FAA L-881 (2-Box)	161 VA		134 W	
ICAO APAPI	85 VA		70 W	
<b>Physical Characteristics</b>				
Body Material	Epoxy painted aluminum chassis with aviation orange standard; yellow and other colors available			
Hardware Material	Stainless steel & anodized aluminum			
Lens Design	Optical glass lens			
Mounting	Permanent and portable			
<b>Dimensions (LHA Only)</b>	<b>Height (inches/mm)</b>	<b>Width (inches/mm)</b>	<b>Length (inches/mm)</b>	<b>Weight (lb/kg)</b>
Permanent	Minimum: 22.27 / 566 Maximum: 42.67 / 1083	12.75 / 324	26.87 / 682	17.8 / 8.07
Portable	Extended: 19.45 / 494 Collapsed: 14.2 / 360	13.22 / 335	26.47 / 672	25 / 11.34
<b>Environmental Factors</b>				
Temperature	-31 to 131 °F (-35 to +55 °C) - Ambient -67 to 176 °F (-55 to +80 °C) - Storage			
Wind Loading	100 mph (45 m/s)			
<b>Certifications and Compliance</b>				
CE	EN61000-6-3:2007 EN61000-6-1:2007			
Quality Assurance	ISO 9001:2015			
ICAO	Annex 14 Part 1 PAPI (2 & 4 LHA) & APAPI (2 LHA) Compliant			
FAA	L-880/881 (2 & 4 LHA) AC 150/5345-28H Certified Style A Class I, Style B Class I			
UFC	3-535-01 (4 LHA) Compliant			
DGAC	Pending			
<b>Intellectual Property</b>				
Patents	U.S. Patent No. US 9,863,601 B2			
Trademarks	AVLITE® is a registered trademark of Avlite Systems			
Warranty *	Avlite PAPI systems (AV-PAPI) are warranted against mechanical and physical defects in design or manufacture for a period of 12 months from date of installation or 24 months from shipment date; and are warranted against electrical defects in design or manufacture of the LED or LED specific circuitry for a period of 4 years per FAA EB67 (applicable edition).			
Options Available	<ul style="list-style-type: none"> <li>• IR mode</li> <li>• Solar power supply</li> <li>• Generator kit</li> <li>• Battery kit</li> <li>• 2.4 GHz, PALC/ARCAL</li> <li>• Hardwired control</li> <li>• Mounting solutions</li> <li>• Marine grade stainless steel</li> <li>• External baffles (blanking devices)</li> </ul>			

CE \* Specifications subject to change or variation without notice. \* Subject to standard terms and conditions.  
 † FAA 150/5345-28H Certified

**Available Configurations**

Model	Size	Mounting	Output	Power	Control
PAPI	Standard 2 LHA	Permanent	Visible	Solar Kit	Wired
	Standard 4 LHA	Portable	Visible / IR	Generator Kit	Wireless
Marine Grade PAPI				Battery Kit	Photocell
				AC	CCR
				CCR	

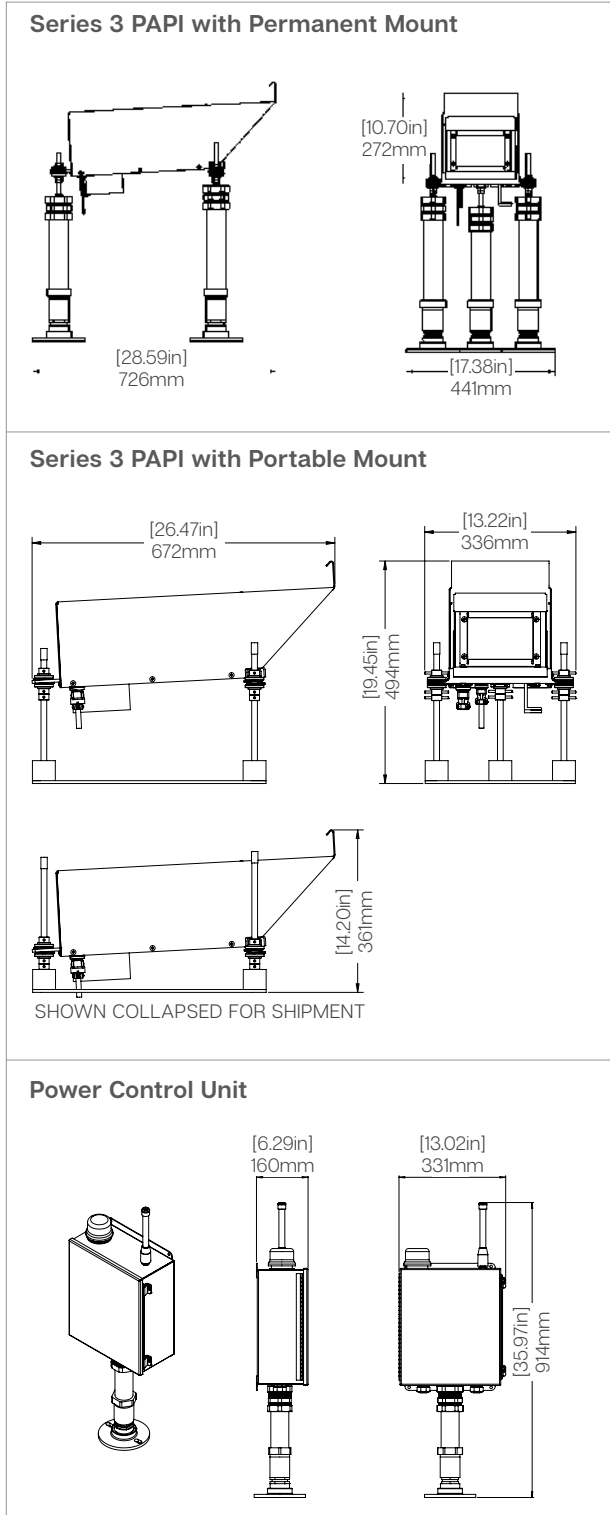
+1.800.806.3548 USA  
 +1.916.394.2800 Worldwide

[www.flightlight.com](http://www.flightlight.com)  
[sales@flightlight.com](mailto:sales@flightlight.com)

Flight Light Inc., 2708 47th Ave.  
 Sacramento, CA, 95822, USA



Technical Illustrations



How to Order AV-PAPI Series 3

AV-PAPI - [?] - [??] - [??] - [??]\* - [?]

**Product No.:** \_\_\_\_\_

**Standard/Size:** \_\_\_\_\_

A = ICAO Abbreviated-PAPI 2-LHA  
 2 = FAA 2-LHA  
 4 = FAA/ICAO 4-LHA

**Mounting:** \_\_\_\_\_

PO = Permanent  
 P1 = Portable

**Input Voltage:** \_\_\_\_\_

UM = 100-240VAC (FAA Style A)  
 24 = 24VDC  
 66 = 6.6 AMP

- Options:**
- 0 = None
  - 1 = Radiofrequency Control
  - 2 = Infrared Only
  - 3 = Infrared and Radiofrequency Control
  - 4 = Heated Lens
  - 5 = Radiofrequency Control and Heated Lens
  - 6 = Infrared and Heated Lens
  - 7 = Infrared, Radiofrequency Control, and Heated Lens
  - 8 = Tilt Switch
  - 9 = Radiofrequency Control and Tilt Switch
  - 10 = Infrared and Tilt Switch
  - 11 = Infrared, Radiofrequency Control, and Tilt Switch
  - 12 = Heated Lens and Tilt Switch (Standard FAA Version)
  - 13 = Radiofrequency Control, Heated Lens, and Tilt Switch
  - 14 = Infrared, Heated Lens, and Tilt Switch
  - 15 = Infrared, Radiofrequency Control, Heated Lens, and Tilt Switch

- Color:**
- 0 = FAA Orange
  - 1 = ICAO Yellow
  - 2 = Marine Grade Orange
  - 3 = Marine Grade Yellow
  - 4 = Desert Sand
  - 5 = NATO Green
  - 6 = Marine Grade Desert Sand
  - 7 = Marine Grade NATO Green

\*Note: Multiple/all options are available together.