

A704 Solar Medium Intensity Runway Light

The A704 meets traditional airfield requirements in an easy-to-install, low maintenance package.

- Third-party tested for ICAO and FAA compliance
- Long-lasting batteries
- Available in 3 battery sizes

Applications

- Medium-intensity runway edge & threshold (MIRL)
- Simple approach lighting
- NVG operations, covert-only mode
- Emergency or temporary lighting

Advanced Design

- Improved optical efficiency with latest LEDs
- High-efficiency monocrystalline solar panels
- Reduced standby power consumption
- Multiple battery sizes for best value-for-performance
- Optional wireless control provides remote operation using either 900 MHz or 2.4 GHz communication

Easy Installation

Limited crew. No trenching. No airfield interruptions. Just place the A704 and it emits light dusk-to-dawn while maintaining its battery.

Low Maintenance

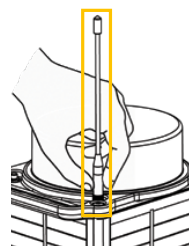
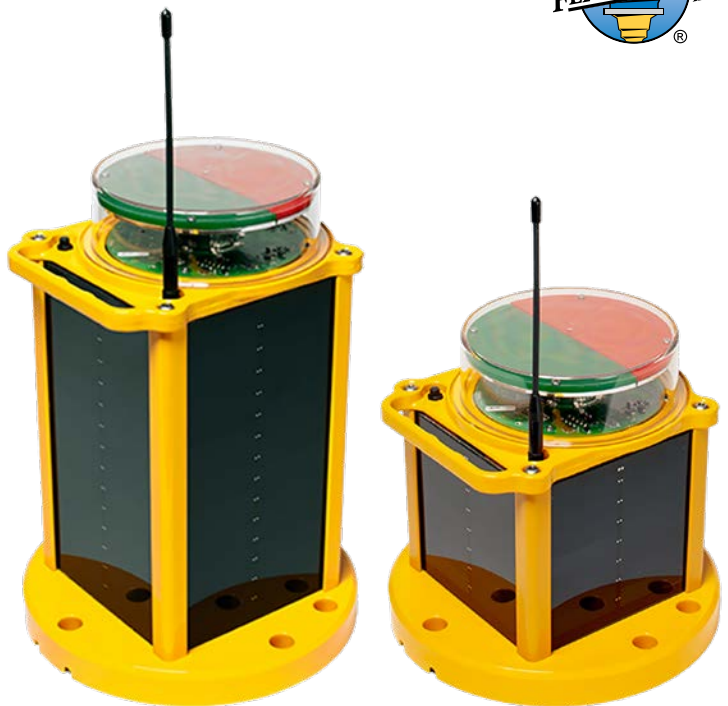
The A704 integrates solar panels, battery, electronics and LED light source into a compact, stand-alone unit requiring minimal maintenance for 7 years on average.

Reliable

The Energy Management System (EMS) monitors all operations to provide consistent output in the harshest environments. Testing to ICAO, FAA and MIL specifications ensures high performance for many years.

Trusted

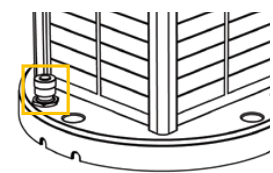
With thousands of installations worldwide, our solar LED lights operate year-round at over 500 airports and military bases.



Optional wireless control



Optional handheld controller
- 900 MHz OR 2.4GHz with encrypted signal
- Control 8 groups of lights



Optional military and barrel charge ports

A704 Specifications

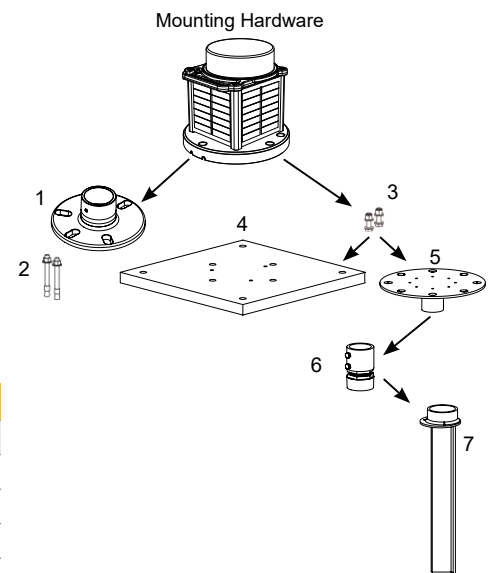
SPECIFICATIONS		WEIGHTS AND DIMENSIONS	
Compliance	ICAO MIRL (Annex 14, Vol. 1, 5.3.9.9)	COMPACT 12.4 lbs (5.6 kg) Battery (60X) - 4.2V, 15 Ahr	
	FAA L-861 MIRL (AC 150/5345-46E, EB67)		
	FAA L-861E & L-861SE MIRL (AC 150/5345-46E, EB67)		
	FAA L-860 LIRL (AC 150/5345-46E, EB67)		
	FAA L-863 Portable (AC 150/5345-50)		
	FAA L-858 Sign Lighting (AC 150/5345-44)		
	FAA L-810 Red (AC 150/5345-43)		
	ICAO Annex 14 Red Low-Intensity Obstacle Light Type A and Type B, 8th edition		
Optical	Red output for airport barricade and construction applications (CFR Part 139, FAA AC 150/5370-2G)	STANDARD 16.4 lb (7.4 kg) Battery (96E) - 4.2V, 24 Ahr	
	High-powered LEDs meet IES LM-80 lumen maintenance ensuring consistent photometrics for life of product		
	ICAO, SAE25050 (FAA) and FAA EB 67 compliant chromaticity		
	NVG-compatible infrared LEDs		
Solar Panel	Steady-on and flash, IR only mode	LARGE 24.5 lbs (11.1 kg) Battery (200BC) - 4.2V, 50 Ahr	
	High-efficiency solar cells with blocking diodes		
Battery	Maximum power point tracking with temperature compensation (MPPT-TC) for optimal energy collection in all solar conditions	Pure-lead VRLA AGM battery with manufacturer operating range -85 to 176°F (-65 to 80°C) Onboard battery status	
	Optional port for battery charging and cabled operation		
	Designed for 5-year battery life; Replaceable and recyclable		
Energy Management System (EMS)	2500 cycles or 7-year lifetime on average	Intelligent, microprocessor Onboard diagnostics and data-logger Push button interface for local control Autonomous (dusk-to-dawn), temporary, continuous and emergency modes	
	Intelligent, microprocessor		
	Onboard diagnostics and data-logger		
	Push button interface for local control		
Automatic Light Control (ALC)	When enabled, automatically adjusts to low levels of sunlight to ensure continuous operation		
Construction	Premium, UV-resistant polycarbonate lens (jet blast resistant glass lens available)	Corrosion-resistant, powder-coated aluminum chassis with integrated handle Waterproof, vented battery compartment	
	Corrosion-resistant, powder-coated aluminum chassis with integrated handle		
Temperature	-22 to 122°F (-30 to 50°C) Optimal -40 to 176°F (-40 to 80°C) Maximum		
Wind Loading	400 mph (644 kph)		
Ice Loading	0.03 psi (22 kg/m ²)		
Shock & Vibration	MIL-STD-202G and MIL-STD-810G		
Ingress	EN 60529 IP 67 immersion	MIL-STD-202G immersion & damp heat cycling MIL-STD-810G rain & salt fog	
	MIL-STD-202G immersion & damp heat cycling		
	MIL-STD-810G rain & salt fog		
CONFIGURATION			
Model	Color	Battery Size	
A704	White/IR	Compact Standard Large	
	White/Yellow/IR		
	Red/Green/IR		
	Green/IR		
	Yellow/IR		
	Red/IR		
	White/Red/IR		
Red/Yellow/IR			
Green/Yellow/IR			
Lens	Control	Charge Port	
Polycarbonate Tempered Glass	Non-wireless Wireless (900 MHz) Wireless (2.4GHz)	None Charge Port Military Charge Port	

A704 Intensities (cd)

A704	Auto Low	Auto Medium	Auto High	Temp Low	Temp Medium	Temp High						
White	6	13	25	25	75	250						
White/Yellow	6	4	13	8	25	15	25	15	75	45	250	150
Red/Green	4	1	9	3	18	5	18	5	53	15	175	50
White/Red	6	1	13	3	25	5	25	5	75	15	250	50
Yellow/Red	4	1	8	3	15	5	15	5	45	15	150	50
Green/Yellow	4	4	9	8	18	15	18	15	53	45	175	150
Yellow	4	8	15	15	45	150						
Green	26	44	66	218	258	323						
Red	15	37	47	15	37	47						
Infrared/NVG (mW/sr)	16	34	80	16	34	80						

A704 Accessories

MOUNTING		
REFERENCE	PN	DESCRIPTION
1	82612	Frangible floor flange
2	76520	Anchor bolt kit
3	76516	Standard bolt kit, 700 series (2x stainless steel bolts)
4	81802	16 x 16" rubber mat
5	65714	Standard mounting plate
6	65711	Frangible coupling, 1.5" pipe x 2 thread
7	38925	2" hub stake - 15" long
-	65717	Extended mounting plate

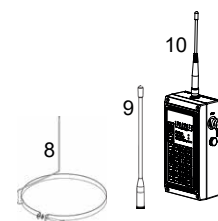


BATTERY/CHARGER		
REFERENCE	PN	DESCRIPTION
-	72890	Battery kit, A704 compact
-	72891	Battery kit, A704 standard
-	72892	Battery kit, A704 large
-	74314	Battery charger, A704 with military charge port, 100-240 VAC, 50/60 Hz
-	69885	Battery charger, A704 battery pack and barrel charge port, 100-240 VAC, 50/60 Hz

OPTICS		
REFERENCE	PN	DESCRIPTION
-	74690	Optical shield, 180 degree, several models
-	Inquire	Head kit, several models

MISCELLANEOUS PARTS		
REFERENCE	PN	DESCRIPTION
8	40865	A704 series bird deterrent
9	56150	Replacement antenna
10	-	Handheld Controller (see page 2 for additional wireless control options)
-	48984	Installation tool kit with 5/32" security bit for head/battery changes and small socket set

Miscellaneous Parts



+1.800.806.3548 USA
 +1.916.394.2800 Worldwide
 +1.916.394.2809 Fax

www.flightlight.com
sales@flightlight.com

Flight Light Inc., 2708 47th Ave.
 Sacramento, CA, 95822, USA