



L-862(L) High Intensity LED Light

Compliance

- ETL Certified L-862(L): FAA AC 150/5345-46 (Current Edition) and Engineering Brief No. 67

Applications

Runway Edge, Threshold, Displaced Threshold, Threshold/End, Displaced Threshold Precision IFR Runways

Features

- LEDs with expected life in excess of 56,000 hours
- Light clarity ensured for years with glass lens
- Dimmable to FAA intensity curve from 2.8 amp to 6.6 amps
- Bidirectional fixtures use 65W, unidirectional fixtures use 45W
- Plug and Know circuit design: Dynamic controller senses the attached light engines, allowing for greater service flexibility
- Daytime recognition provided on lens retainers
- Leveling surface and sighting cross on cap eliminates the need for an aiming device
- Fixture surface area designed to meet LED thermal requirements

Specifications

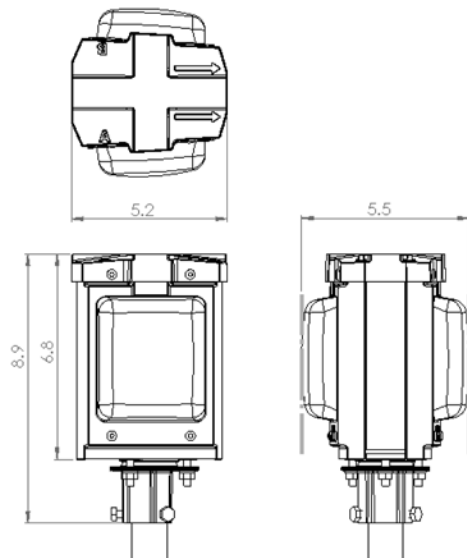
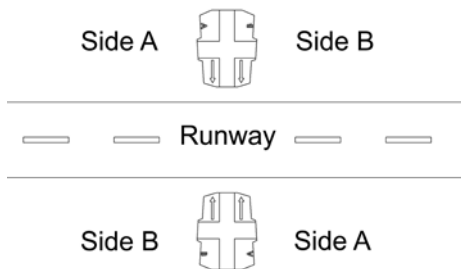
- Height, head assembly: 6.8" (173mm)
- Height, with slip fitter: 8.9" (226mm)
- Width: 5.5" (140mm)
- Length: 5.2" (132mm)
- Weight: 7.2 lb. (3.3kg)

The fixtures ship in a single box (9-1/8" x 7" x 5-3/4") or in a case of 9 (17" x 16-1/2" x 10").

Ordering Codes

Fixture	Side A	Side B	Mounting Height
EHL	W: White	W: White	14: 14" (356mm)
	Y: Yellow	Y: Yellow	20: 20" (508mm)
	R: Red	R: Red	24: 24" (610mm)
	G: Green	G: Green	30: 30" (762mm)
	O: Obscure	O: Obscure	

Example: EHL-RG-24 is 24" high with Red on Side A and Green on Side B.



+1.800.806.3548 USA
 +1.916.394.2800 Worldwide
 +1.916.394.2809 Fax

www.flightlight.com
sales@flightlight.com

Flight Light Inc., 2708 47th Ave.
 Sacramento, CA, 95822, USA



Runway Light Toe Determination

View runway lights from runway centerline perpendicular to fixture when determining color in conjunction with right-hand and left-hand fixtures. The first color will be on the left toe-in side.

