



# FTS 350i Wind Turbine Lighting System

## Medium Intensity Red LED Aviation Obstruction Light



### Compliance

- ETL Certified L-864(L): FAA AC 150/5345-43J
- ICAO Annex 14 8th edition, Medium Intensity Type B
- Transport Canada CAR 621 CL-864

### Applications

The FTS 350i is an economical FAA L-864 / ICAO Type B red LED lighting system specifically designed for wind turbine applications that do not require the advanced features of the FTS 370i.

Small and light, this stand-alone obstruction light does not have a controller taking up scarce space inside the nacelle. The weather-proof, UV-resistant, polycarbonate construction provides a 90% weight reduction over the FTS 370i.

The FTS 350i is compliant to FAA AC 70/7460-1M and 1L requirements for turbines with rotor tip heights less than 699 feet and is certified to AC 150/5345-43J with infrared LEDs.

### Standard Features

- Fully integrated system – no external controller
- Easy to carry and install on turbines due to extremely low weight
- Infrared (IR) LEDs for compatibility with NVG and NVIS per FAA AC 150/5345-43J
- Fresnel optics minimize ground scatter, making the light more community friendly
- 10kA surge protection, two times the FAA-specified minimum
- GPS for synchronized flashing
- Handheld remote controller simplifies light setup
- Field-configurable flash rate of 20 or 30 fpm
- Dry contact alarm for beacon, GPS sync and mode change
- 2-year replacement warranty

### Optional Features

- Adaptor plates for existing mounting brackets
- Mounting brackets available for multiple turbine manufacturers
- Overvoltage protection device (OVP)

### Obstruction Light Comparison

	FTS 350i	FTS 370i
Surge Protection	10kA	25kA
Warranty	2-year replacement	5-year parts
Weight	2.9 lb. (1.3 kg)	26.3 lb. (11.9 kg)
Wind Area	26.8 in <sup>2</sup> (17,290 mm <sup>2</sup> )	99 in <sup>2</sup> (63,870.8 mm <sup>2</sup> )
Power Consumption at 30 fpm	9 W	10 W
GPS Sync	√	√
Alarm Relay	√	√
Infrared LEDs	√	√
Radar Interface	–	√





SPECIFICATIONS

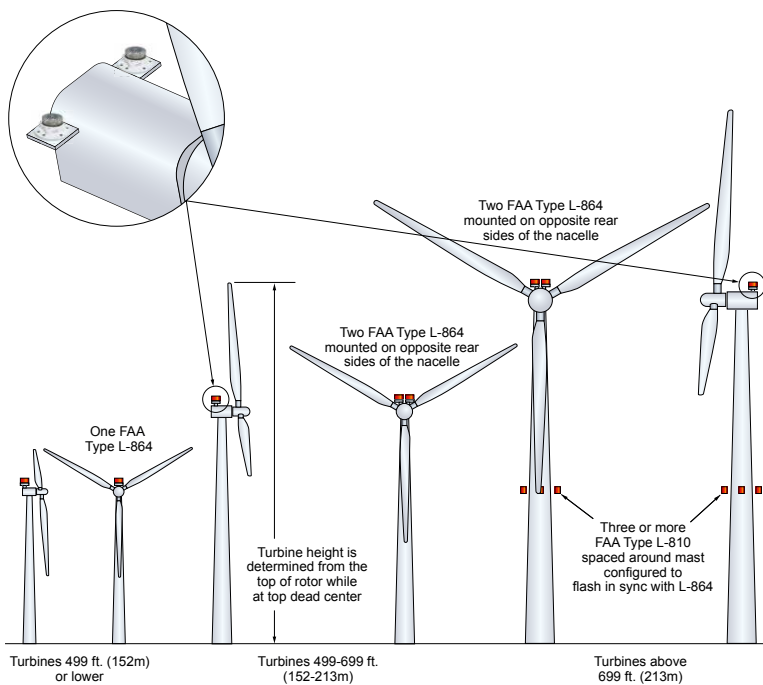
Input Voltage	120-240 VAC
Frequency	50-60 Hz
FH Weight	2.9 lb. (1.3 kg)
FH Aerodynamic Wind Area	26.8 in <sup>2</sup> (17,290 mm <sup>2</sup> )
Protection Rating	IP66

POWER CONSUMPTION

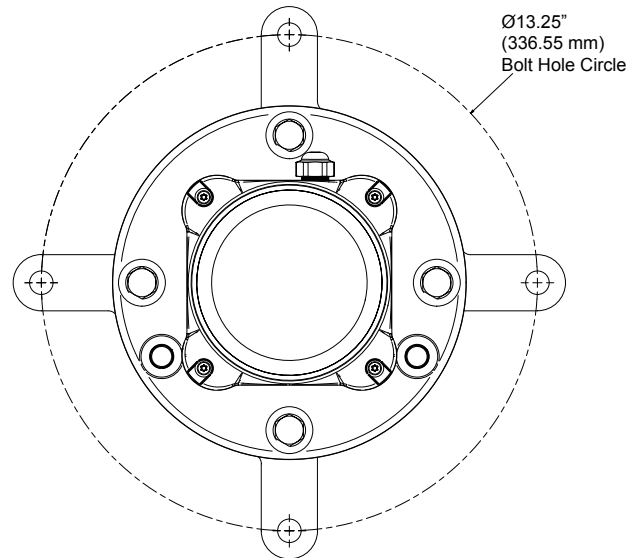
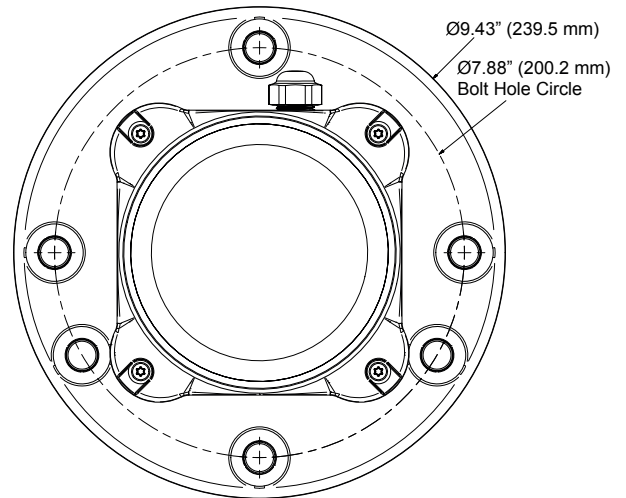
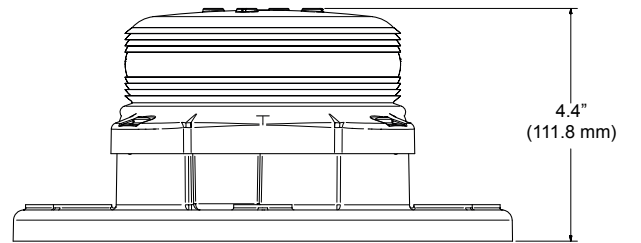
	20 fpm	30 fpm
L-864 red night at 2,000 ± 25% ECD flash intensity	6W	9W

Power consumption is 1 watt in stand-by.

FAA WIND TURBINE LIGHTING



DIMENSIONS



FTS 350i with Adaptor Plates

+1.800.806.3548 USA  
 +1.916.394.2800 Worldwide  
 +1.916.394.2809 Fax

[www.flightlight.com](http://www.flightlight.com)  
[sales@flightlight.com](mailto:sales@flightlight.com)

Flight Light Inc., 2708 47th Ave.  
 Sacramento, CA, 95822, USA