

ZA280DL | L-852DL

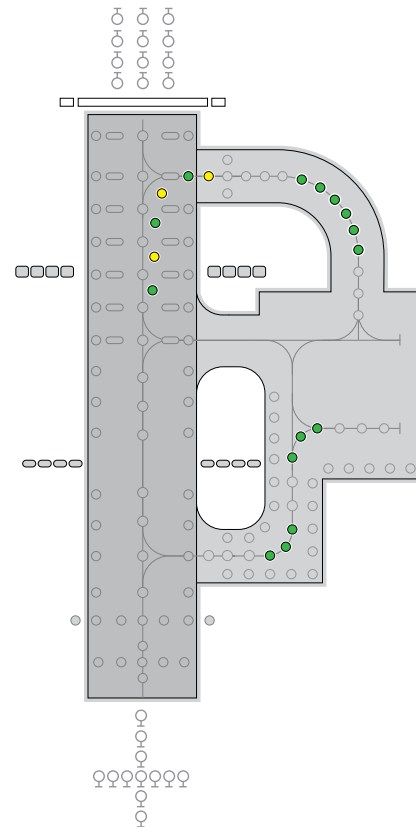
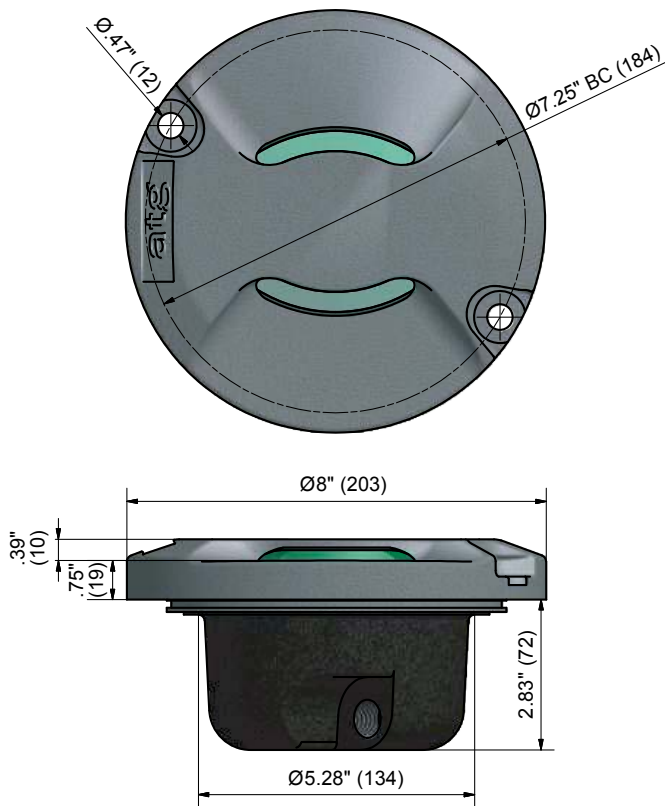
LED 8" Taxiway Centerline, Curved Sections (Wide), High Intensity Lighting Solutions

Compliance and Applications

- FAA Certified: L-852DL (AC 150/5345-46)
- FAA Eng Brief No 67
- ICAO Annex 14. Vol 1
- IEC 61827
- EASA
- Stanag 3316 (NATO)

The ZA280DL is a high intensity, inset LED taxiway centerline (wide curved sections) fixture with a wide beam, suitable for CAT III all weather operation airfield ground lighting (agl) systems.

The fixture may be used in 6.6A airfield lighting circuits normally supplied from 1 x 45W, 1 x 65W or 100W isolating transformer.



Ordering Codes 80-ZA280 DL

Application
L-852DL Taxiway Centerline
Curved (Wide)

Color
A Side
 G = Green
 Y = Yellow
 X = Blank

B Side
 G = Green
 Y = Yellow
 X = Blank

Specification
1 = FAA

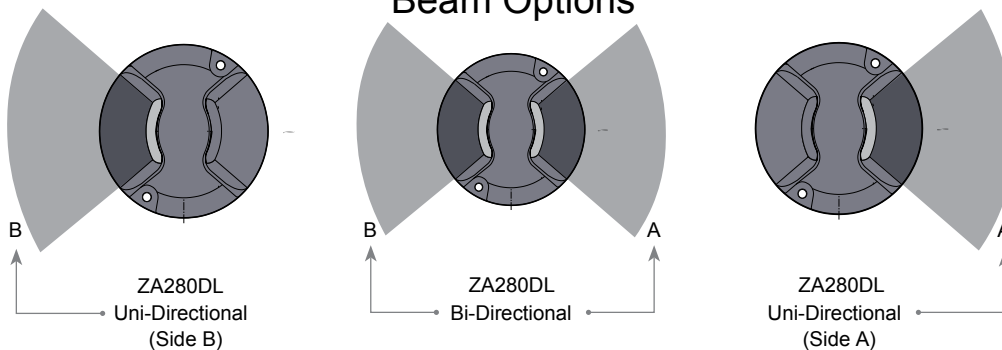
Connections
1 = 1 Bi Pin Plug

Additional optional features are available upon request.

Packaging

- Net weight: 6.6 lb. (3Kg)
- Gross weight: 7.7 lb. (3.5Kg)
- Box: 9.1" (230mm) (w) x 9.1" (230mm) (d) x 5.7" (146mm) (h)

Beam Options



Electrical Performance

Main Beam Aperture		Color	Typical Power Consumption - Watts (VA) @ 6.6A				
Horiz(°)	Vert(°)		Per Beam Watts	Fixture* Watts (VA)	PF	Tx Primary** Watts (VA)	PF
-30 to +30	1 to 10	GRN/GRN	2.9/2.9	16.14 (16.43)	0.99	24.19 (24.54)	0.98
-30 to +30	1 to 10	YEL/YEL	3.0/3.0	16.14 (16.43)	0.99	24.19 (24.54)	0.98
-30 to +30	1 to 10	GRN/YEL	2.9/3.0	16.14 (16.43)	0.99	24.19 (24.54)	0.98
-30 to +30	1 to 10	GRN/BLK	2.9/-	16.14 (16.43)	0.99	24.19 (24.54)	0.98
-30 to +30	1 to 10	YEL/BLK	3.0/-	16.14 (16.43)	0.99	24.19 (24.54)	0.98

Fixture Operational Current Range: 2.7 to 6.7A RMS

* as measured at the input leads of the fixture.

** as measured across the primary winding of an appropriately sized isolation transformer with a total fixture and transformer secondary length not exceeding ~72" (1.85m).

Note: Isolating transformer shall be suitably sized to accommodate specific secondary and other applicable losses.

For bi-directional twin lead option use unidirectional electrical performance for each direction.

Environmental Conditions

▶ Ambient Temperature -67 °F to +131°F (-55 °C to +55°C)

▶ Ingress Protection IP67

▶ Storage Temperature -67 °F to +131°F (-55 °C to +55°C)

Photometry

Specification

Taxiway Centerline curved (Wide) - FAA L-852DL

Color	Green
Max/Min Intensity Ratio	< 3.0
Main rect. average intensity	100 cds
Main rect. minimum intensity	50 cds
Second rect. minimum intensity	10 cds

Typical Measured Values

Color	Green
Max/Min Intensity Ratio (Ref.)	< 3.0
Main rect. average intensity	156 cds
Main rect. minimum intensity	57 cds
Second rect. minimum intensity	43 cds

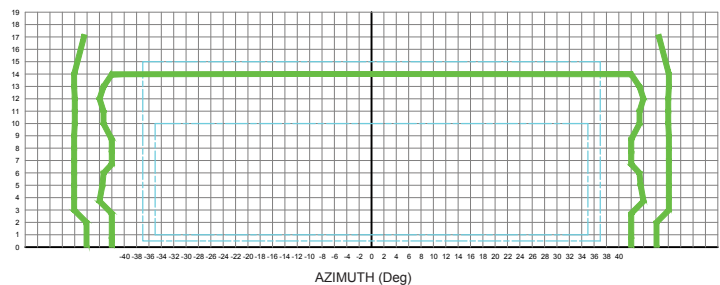
Specification

Color	Yellow
Max/Min Intensity Ratio	< 3.0
Main rect. average intensity	100 cds
Main rect. minimum intensity	50 cds
Second rect. minimum intensity	10 cds

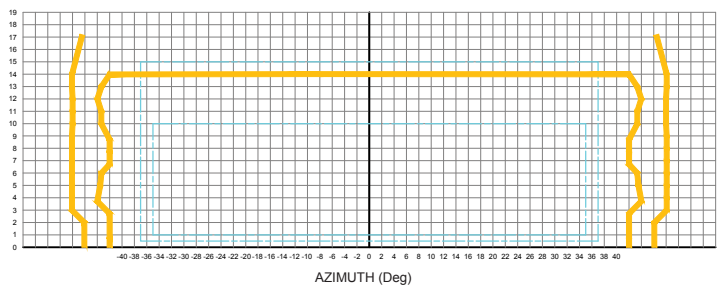
Typical Measured Values

Color	Yellow
Max/Min Intensity Ratio (Ref.)	2.63
Main rect. average intensity	199 cds
Main rect. maximum intensity (A)	260 cds
Main rect. minimum intensity (B)	83 cds
Second rect. minimum intensity	57 cds

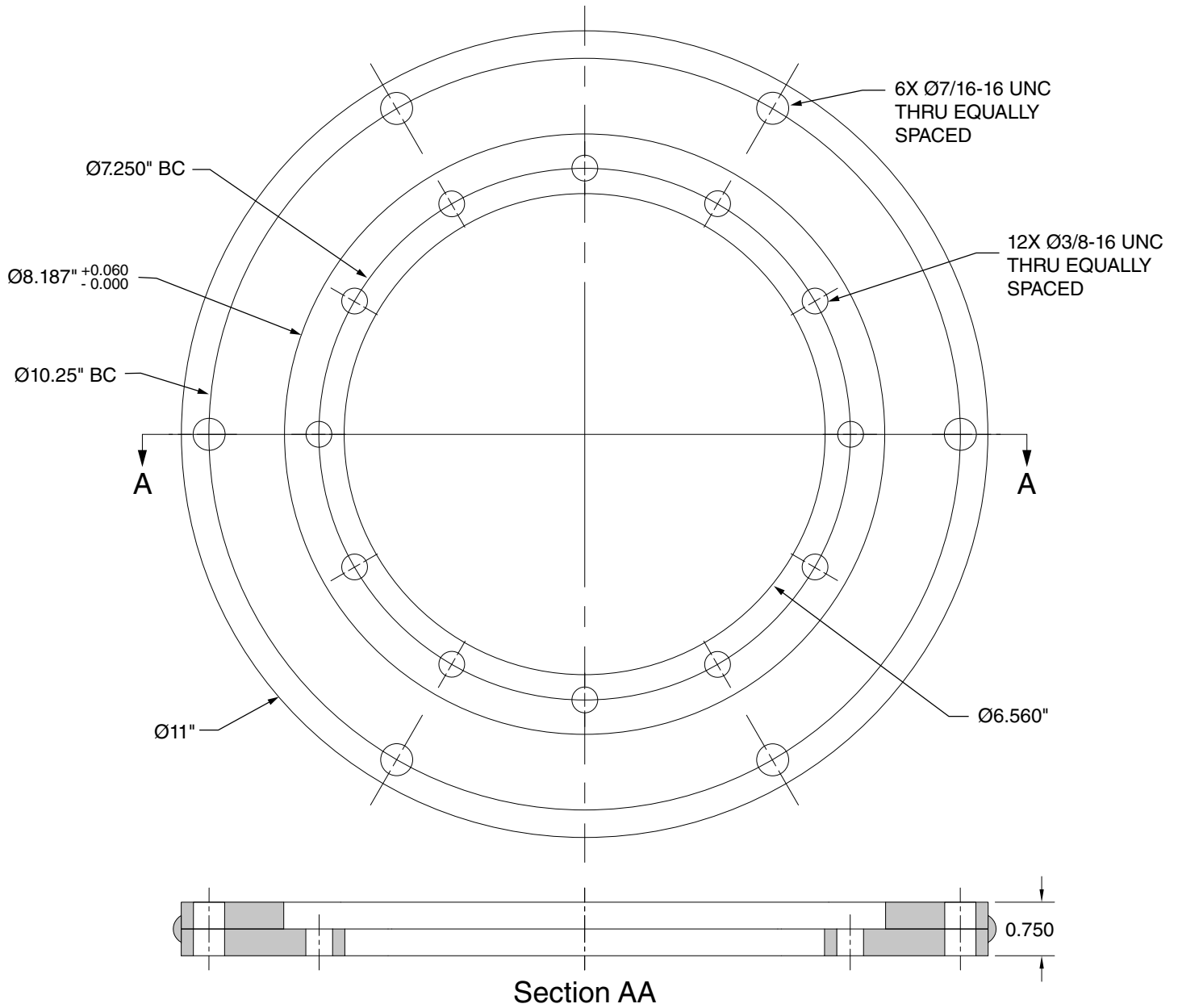
Intensity Chart - Taxiway Centerline Luminaire (curved wide) Green

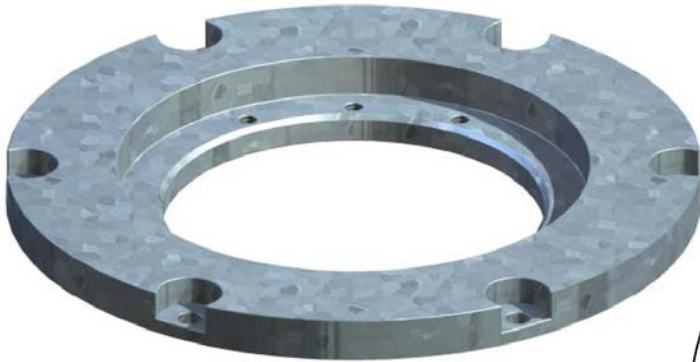


Intensity Chart - Taxiway Centerline Luminaire (curved wide) Yellow



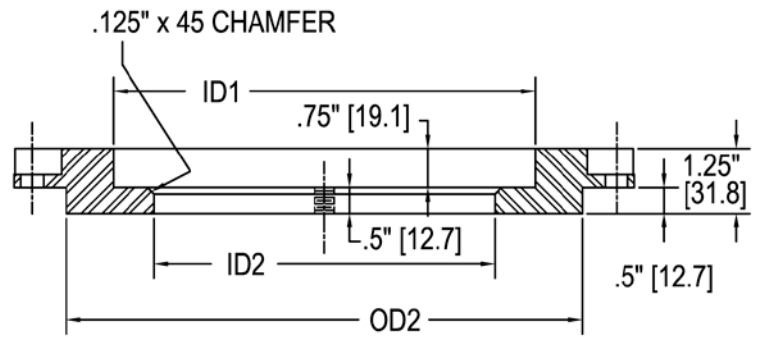
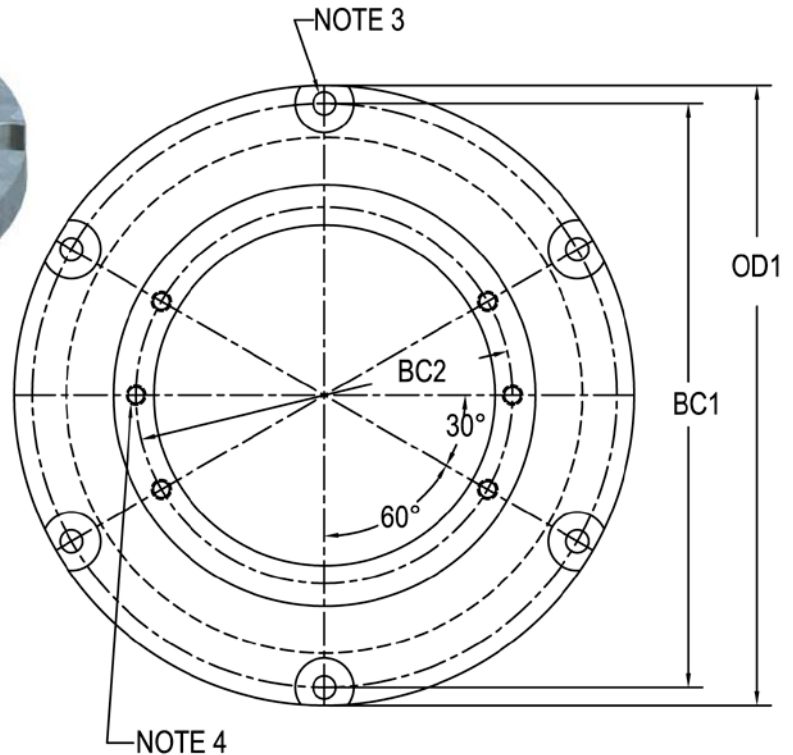
L-867 to 8" One Piece Adapter Ring (30-86712-25)





**L-868B 8" -12" Adapter/Flange Ring
(30-AA122820)**

1. Approved and Certified to FAA Advisory Circular AC150/5345-42F. Size: B=12"
 2. Adapter Plates are galvanized to ASTM-A123/A123M-02.
 3. (6) 7/16" Ø equally spaced, thru holes with 1-1/8" Ø x 1/2" deep counter bore.
 4. Standard Plate: (6) 3/8"-16 tapped holes.
Metric Plate: (6) M10-1.5 tapped holes.
 5. Standard Adapter Plates are shipped with:
 - (2) 3/8"-16 x 1-1/4" SS hex head bolts (10650202)
 - (2) 3/8", 2 piece locking washers (10680607)
 - (1) Bolt Set (6100) containing:
 - (6) 3/8"-16 x 1" SS hex head bolts (10650198)
 - (6) 3/8", 2 piece locking washers (10680607)
- Metric Adapter Plates are shipped with:
- (2) M10x1.5x30mm SS hex head bolts (10652820)
 - (2) 3/8", 2 piece locking washers (10680607)
 - (1) Bolt Set (6100M) containing:
 - (6) M10x1.5x30mm SS hex head bolts (10652820)
 - (6) 3/8", 2 piece locking washers (10680607)



TYPE	OD1	BC1	OD2	ID1	BC2	ID2
30-AA122820	11.938" [303.2]	11.25" [285.8]	9.938" [252.4]	8.125" [206.4]	7.25" [184.2]	6.563" [166.7]

Add "M" to the end of the part number to note Metric Adapter Plate

[] = metric dimensions in mm