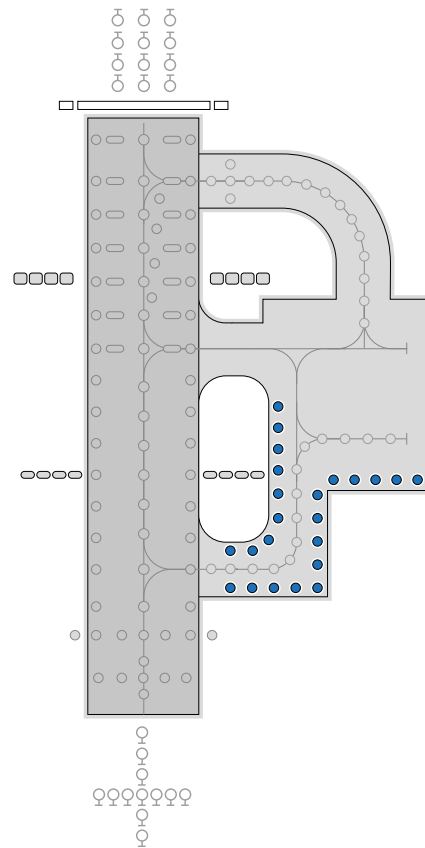
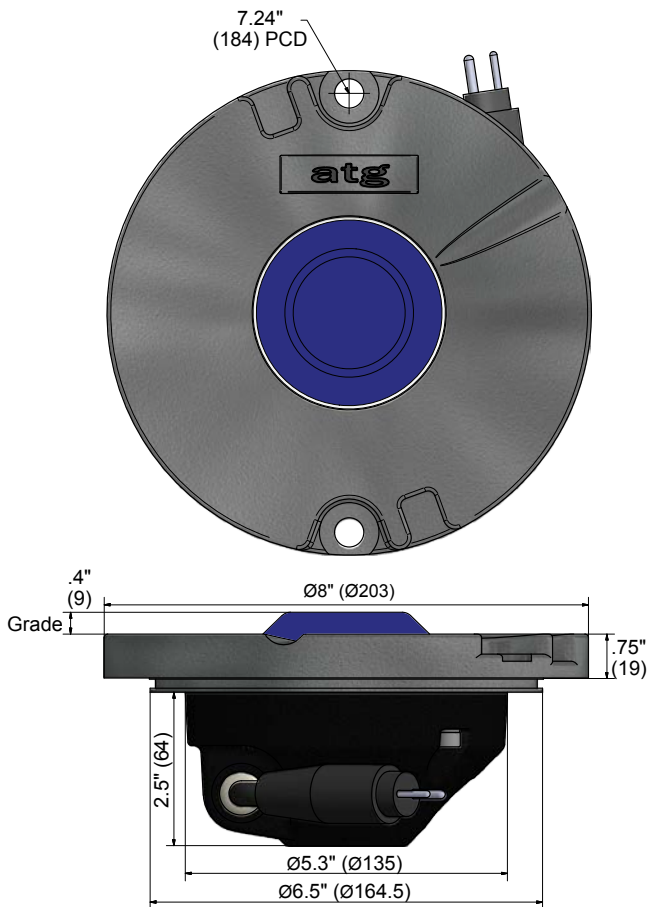


IR852T | L-852T(L) IRIS LED 8" Taxiway and Apron Edge, Omni-Directional, High Intensity Lighting Solutions

Compliance and Applications

- FAA Certified: L-852T(L)(FAA AC 150/5345-46)
- ICAO Annex 14, Vol 1
- FAA Engineering Brief No. 67
- IEC 61827
- EASA
- Stanag 3316 (NATO)

IRIS LED high intensity, omni-directional taxiway and apron edge fixture suitable for CAT III all weather operation airfield ground lighting (agl) systems. The goal of the IRIS range is to enhance the efficiency of an airfield by optimizing power consumption, increasing reliability and reducing costs to the airport.





Electrical Performance

Main Beam Aperture		Color	Typical Power Consumption - Watts (VA) @ 6.6A					
Horiz(°)	Vert(°)		Per Beam Watts	Fixture*		Tx Primary**		Isolating Transformer
				Watts (VA)	PF	Watts (VA)	PF	
0-359	0-6	Blue	0.75	4.71 (4.74)	0.993	12.87 (13.01)	0.991	10W
0-359	0-6	Blue	0.75	4.67 (4.70)	0.993	13.76 (14.09)	0.977	25W
0-359	0-6	Blue	0.75	4.64 (4.66)	0.994	16.23 (17.16)	0.948	45W

Fixture Operational Current Range: 2.7 to 6.7A RMS

Notes: Isolating transformer shall be suitably sized to accommodate specific secondary and other applicable losses.

* as measured at the input leads of the fixture.

** as measured across the primary winding of an appropriately sized isolation transformer with a total fixture and transformer secondary length not exceeding - 1.85m (72"). CCR shall be suitably sized for the indicated transformer VA for the relevant isolating transformer utilized.

*** main beam vertical requirements for FAA is 1° to 6° for IR852T

Environmental Conditions

- ▶ Ambient Temperature -55 °C to +55°C (-67 °F to +131°F)
- ▶ Storage Temperature -55°C to +55°C (-67 °F to +131°F)

▶ Ingress Protection IP67

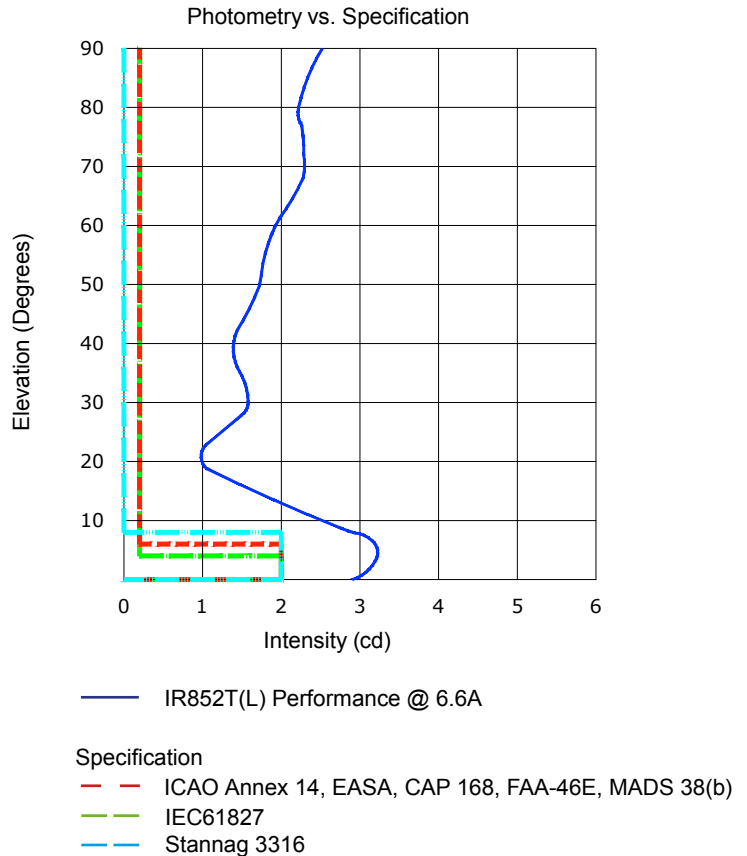
Photometry

Specification

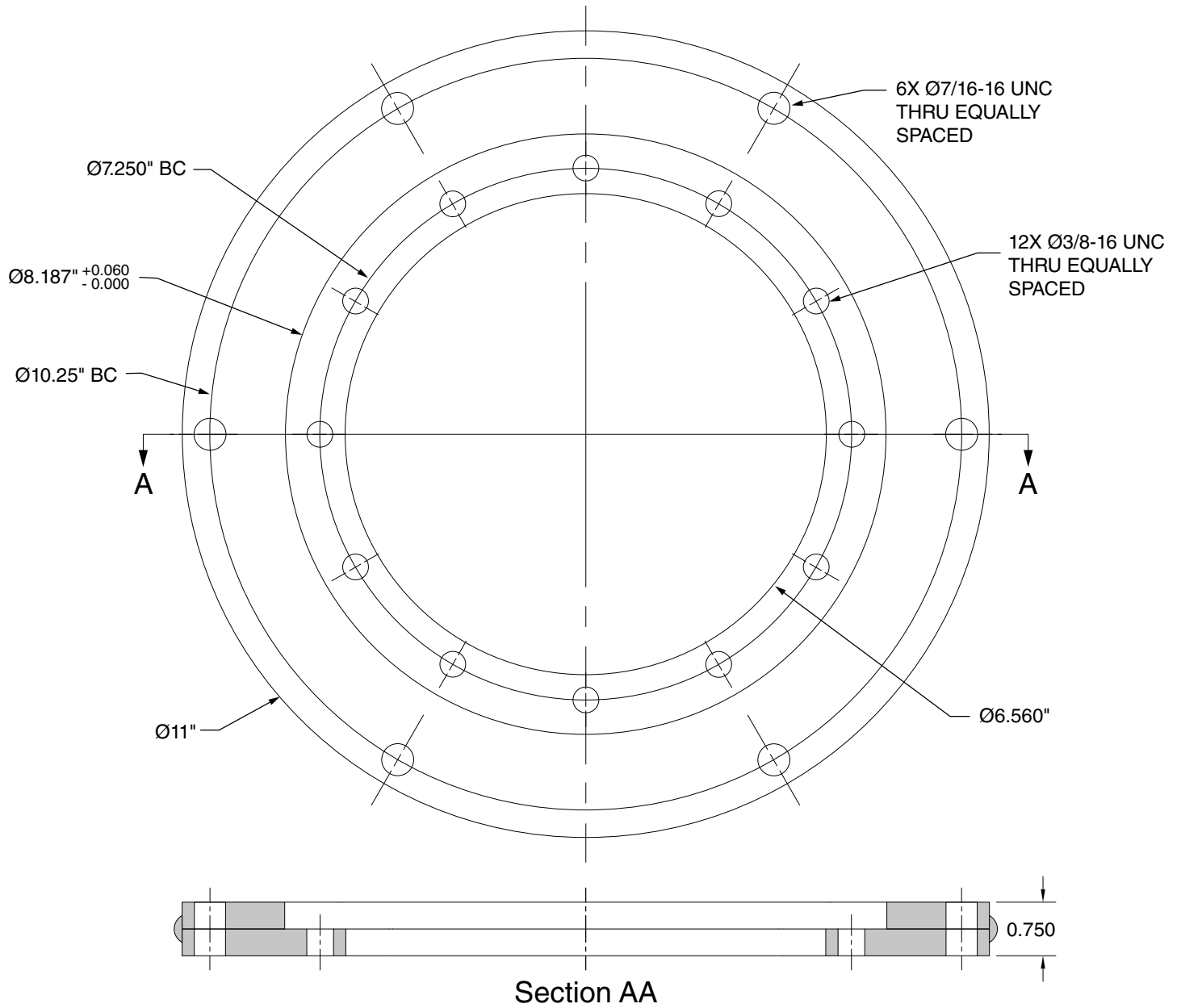
Taxiway & Apron Edge omni-directional ICAO - 5.3.18.7/8	FAAL-852T
Color	Blue
Main rect. minimum intensity 0°-6°	2 cd
Second rect. minimum intensity 6°-90°	0.2 cd

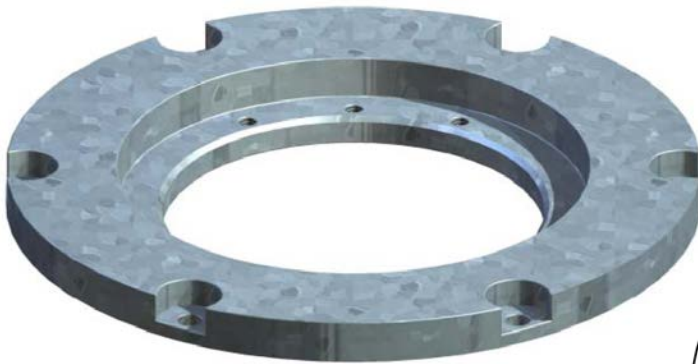
Typical Measured Values

Color	Blue
Main rect. minimum intensity 0°-6°	3.0 cd
Main rect. minimum intensity 0°-8° (Stannag)	2.9 cd
Second rect. minimum intensity 6°-90°	1.0 cd



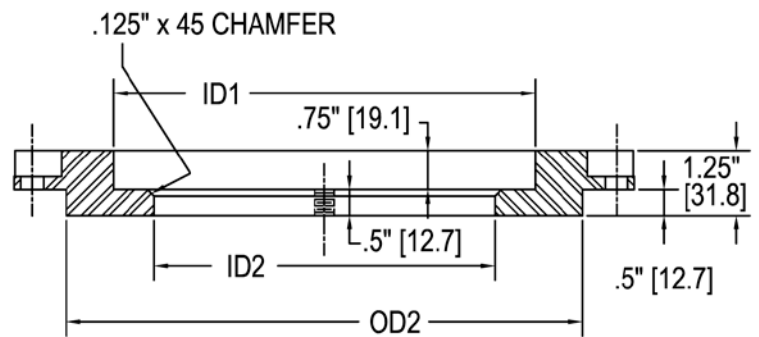
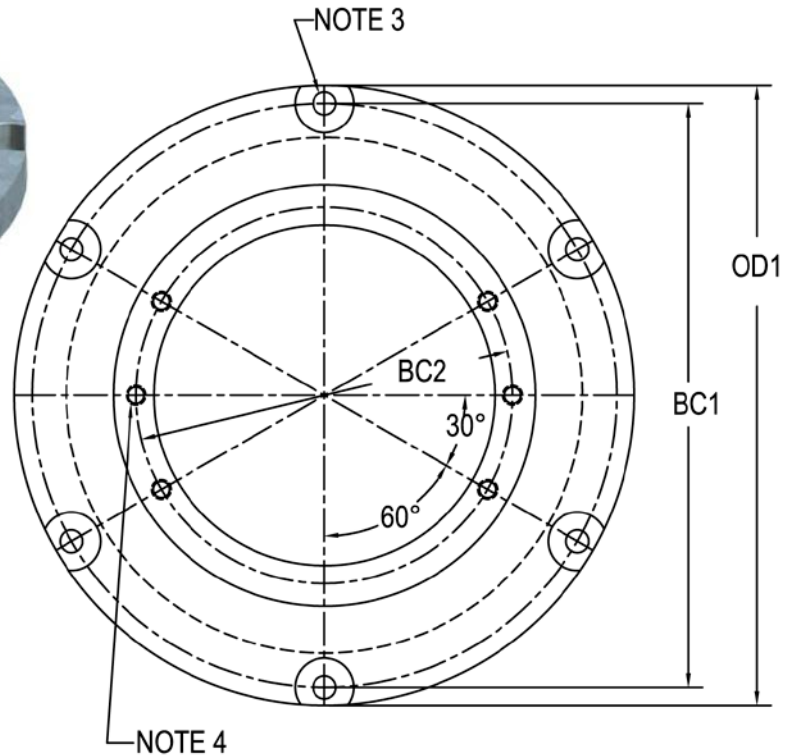
L-867 to 8" One Piece Adapter Ring (30-86712-25)





**L-868B 8" -12" Adapter/Flange Ring
(30-AA122820)**

1. Approved and Certified to FAA Advisory Circular AC150/5345-42F. Size: B=12"
 2. Adapter Plates are galvanized to ASTM-A123/A123M-02.
 3. (6) 7/16" Ø equally spaced, thru holes with 1-1/8" Ø x 1/2" deep counter bore.
 4. Standard Plate: (6) 3/8"-16 tapped holes.
Metric Plate: (6) M10-1.5 tapped holes.
 5. Standard Adapter Plates are shipped with:
 - (2) 3/8"-16 x 1-1/4" SS hex head bolts (10650202)
 - (2) 3/8", 2 piece locking washers (10680607)
 - (1) Bolt Set (6100) containing:
 - (6) 3/8"-16 x 1" SS hex head bolts (10650198)
 - (6) 3/8", 2 piece locking washers (10680607)
- Metric Adapter Plates are shipped with:
- (2) M10x1.5x30mm SS hex head bolts (10652820)
 - (2) 3/8", 2 piece locking washers (10680607)
 - (1) Bolt Set (6100M) containing:
 - (6) M10x1.5x30mm SS hex head bolts (10652820)
 - (6) 3/8", 2 piece locking washers (10680607)



TYPE	OD1	BC1	OD2	ID1	BC2	ID2
30-AA122820	11.938" [303.2]	11.25" [285.8]	9.938" [252.4]	8.125" [206.4]	7.25" [184.2]	6.563" [166.7]

Add "M" to the end of the part number to note Metric Adapter Plate

[] = metric dimensions in mm