

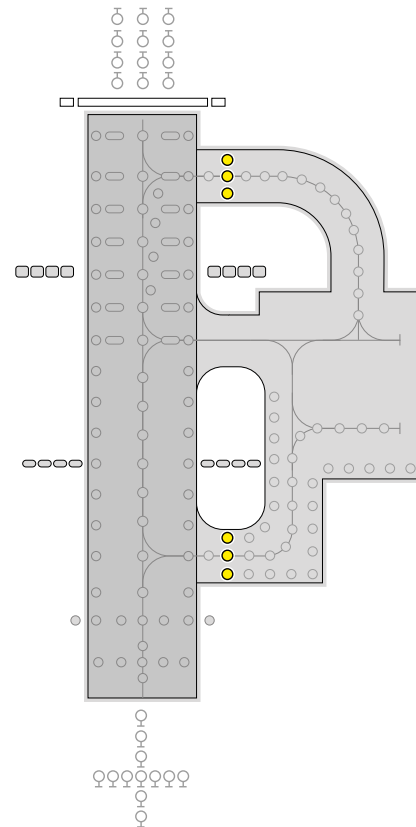
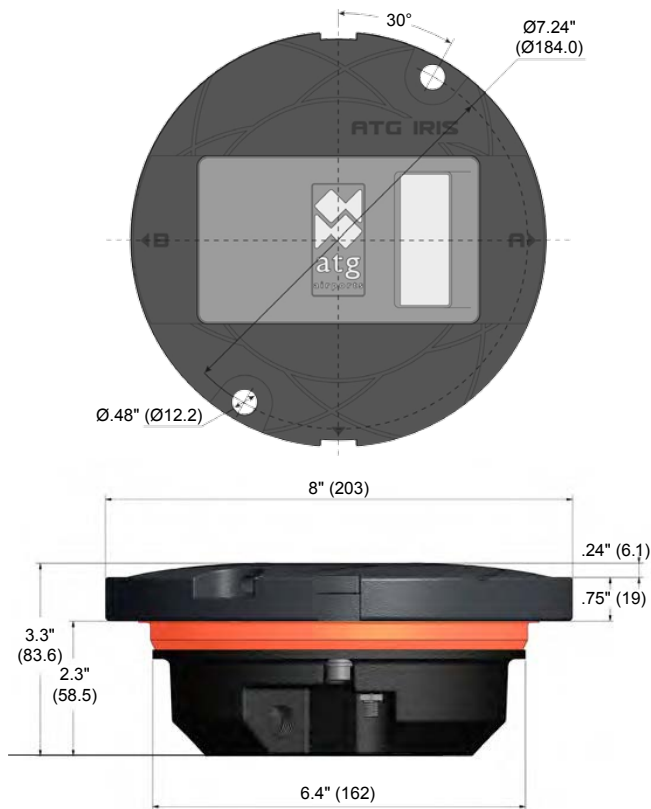
IR852S | L-852S(L)

IRIS LED 8" Stopbar Intensity Lighting Solutions Straight Sections (Wide)

Compliance and Applications

- FAA AC150/5345-46
- FAA Engineering brief 67

IRIS LED high intensity, uni-directional stopbar (wide sections) fixture suitable for CAT III all weather operation airfield ground lighting (agl) systems. The goal of the IRIS range is to enhance the efficiency of an airfield by optimizing power consumption, increasing reliability and reducing costs to the airport.



Ordering Codes IR852 (S)(L) ○ ○ ○ ○ ○ ○ ○ ○ ○ ○

Application
L-852S(L) Stopbar Straight (Wide)

Beam Type
A Side
 5 = Wide
 0 = Blank

B Side
 5 = Wide
 0 = Blank

Color
A Side
 R = Red
 N = Not Applicable

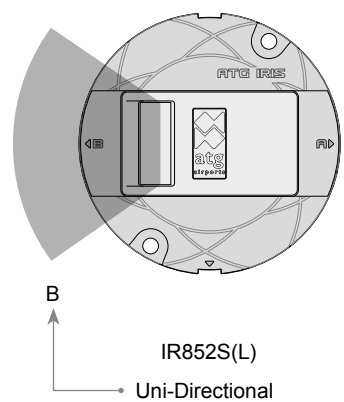
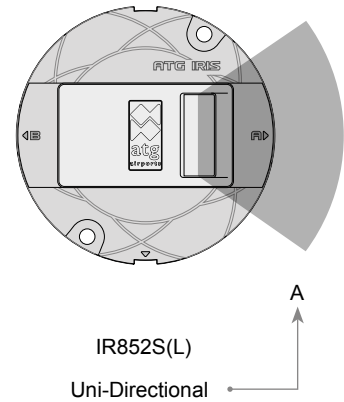
Color
B Side
 R = Red
 N = Not Applicable

Specification
1 = FAA

Connections
1 = 1 Plug Bi Pin

Open Circuit (Fail Open) Feature
 0 = No Open Circuit
 1 = Open Circuit

Beam Options



Bi-directional option not specified by FAA

Additional optional features are available upon request.

- Packaging**
- Net weight: 6.88 lb. (3.12Kg)
 - Gross weight: 7.76 lb. (3.52Kg) (boxed)
 - Box: 10.2" (260mm) (L) x 10.2" (260mm) (W) x 6.9" (175mm) (H)

+1.800.806.3548 US & Canada
 +1.916.394.2800 Worldwide
 +1.916.394.2809 Fax

www.flightlight.com
sales@flightlight.com

Flight Light Inc., 2708 47th Ave.
 Sacramento, CA, 95822, USA

Electrical Performance

Application		Main Beam Aperture		Color	Typical Power Consumption - Watts (VA) @ 6.6A				
ICAO	FAA	Horiz(°)	Vert(°)		Per Beam Watts	Fixture* Watts (VA)	PF	Tx Primary** Watts (VA)	PF
N/A	L-852S	+24/-24	1-10	Red	18/-	30.92/31.02	0.998	40.12/40.66	0.99

* as measured at the input leads of the fixture.

** as measured across the primary winding of an appropriately sized isolation transformer with a total fixture and transformer secondary length not exceeding ~ 1.85m (72").

Note: Isolating transformer shall be suitably sized to accommodate specific secondary and other applicable losses.

Environmental Conditions

- ▶ Ambient Temperature -55 °C to +55°C (-67 °F to +131°F)
- ▶ Storage Temperature -55°C to +55°C (-67 °F to +131°F)
- ▶ Ingress Protection IP67

Photometry

Specification Stopbar L-852S

Color	Red
Max/Min Intensity Ratio	<3.0
Main rect. average intensity	300 cds
Main rect. minimum intensity	150 cds
Second rect. minimum intensity	30 cds

Typical Measured Values

Color	Red
Max/Min Intensity Ratio (Ref)	<3.0
Main rect. average intensity	367 cds
Main rect. minimum intensity	190 cds
Second rect. minimum intensity	44 cds

Intensity Chart - IRIS Stopbar (Wide) Red

