

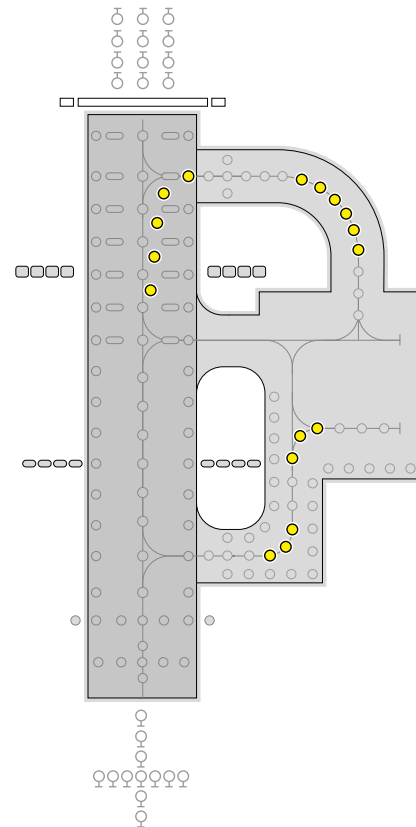
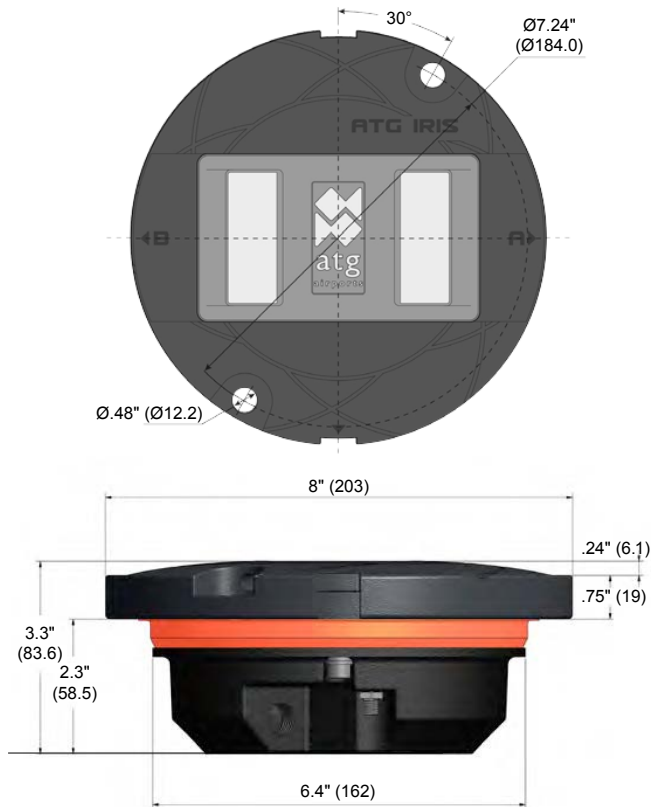
IR852D | L-852D(L)

IRIS LED 8" Taxiway Centerline, High Intensity Lighting Solutions, Curved Sections

Compliance and Applications

- FAA AC 150/5345-46
- FAA Engineering Brief No. 67
- IEC 61827
- EASA
- Stannag 3316 (NATO)

IRIS LED high intensity, inset bi-directional/uni-directional taxiway centerline (curved sections) fixture suitable for CAT III all weather operation airfield ground lighting (agl) systems. The goal of the IRIS range is to enhance the efficiency of an airfield by optimizing power consumption, increasing reliability and reducing costs to the airport.



Ordering Codes IR852



Application
L-852D(L) Taxiway
Centerline Straight (Wide)

Beam Type
A Side
5 = Straight (Wide)
0 = blank
.....
B Side
5 = Straight (Wide)
0 = Blank

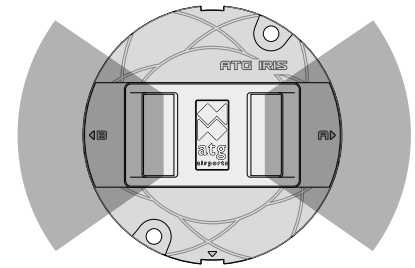
Color
A Side
G = Green
Y = Yellow
C = Cyan/Green
N = Not Applicable
.....
B Side
G = Green
Y = Yellow
C = Cyan/Green
N = Not Applicable

Specification
1 = FAA
2 = ICAO

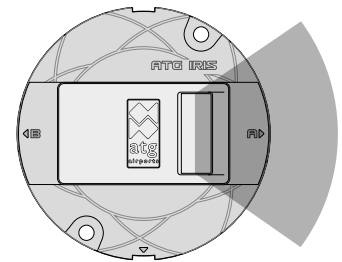
Connections
1 = 1 Bi Pin Plug
2 = 2 Bi Pin Plug

Open Circuit (Fail Open) Feature
0 = No Open Circuit
1 = Open Circuit

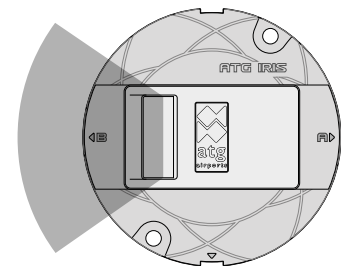
Beam Options



IR852D
Bi-Directional



IR852D
Uni-Directional



IR852D
Uni-Directional

Additional optional features are available upon request.

Packaging

- Net weight: 6.88 lb. (3.12Kg)
- Gross weight: 7.76 lb. (3.52Kg) (boxed)
- Box: 10.2" (260mm) (L) x 10.2" (260mm) (W) x 6.9" (175mm) (H)

Electrical Performance

| Main Beam Aperture | | Color | Typical Power Consumption - Watts (VA) @ 6.6A | | | | |
|--------------------|---------|---------|---|---------------------|-------|-------------------------|-------|
| Horiz(°) | Vert(°) | | Per Beam Watts | Fixture* Watts (VA) | PF | Tx Primary** Watts (VA) | PF |
| -30 to +30 | 1 to 10 | GRN/GRN | 9.35/9.35 | 30.92 (31.02) | 0.998 | 40.12 (40.66) | 0.987 |
| -30 to +30 | 1 to 10 | YEL/YEL | 10.45/10.45 | 33.32 (33.40) | 0.998 | 42.28 (42.82) | 0.988 |
| -30 to +30 | 1 to 10 | GRN/YEL | 9.35/10.45 | 32.43 (32.52) | 0.998 | 41.50 (42.00) | 0.988 |
| -30 to +30 | 1 to 10 | GRN/BLK | 9.35/- | 16.77 (16.79) | 0.998 | 25.82 (26.38) | 0.979 |
| -30 to +30 | 1 to 10 | YEL/BLK | 10.45/- | 17.98 (18.01) | 0.998 | 27.11 (27.63) | 0.981 |

* as measured at the input leads of the fixture.

** as measured across the primary winding of an appropriately sized isolation transformer with a total fixture and transformer secondary length not exceeding ~ 1.85m (72").

Note: Isolating transformer shall be suitably sized to accommodate specific secondary and other applicable losses.

Environmental Conditions

- ▶ Ambient Temperature -55 °C to +55°C (-67 °F to +131°F)
- ▶ Storage Temperature -55°C to +55°C (-67 °F to +131°F)
- ▶ Ingress Protection IP67

Photometry

Specification

Taxiway Centerline - FAA L-852D

| | |
|--------------------------------|---------|
| Color | Green |
| Max/Min Intensity Ratio | <3.0 |
| Main rect. average intensity | 100 cds |
| Main rect. minimum intensity | 50 cds |
| Second rect. minimum intensity | 10 cds |

Typical Measured Values

| | |
|--------------------------------|---------|
| Color | Green |
| Max/Min Intensity Ratio (Ref) | <3.0 |
| Main rect. average intensity | 156 cds |
| Main rect. minimum intensity | 57 cds |
| Second rect. minimum intensity | 43 cds |

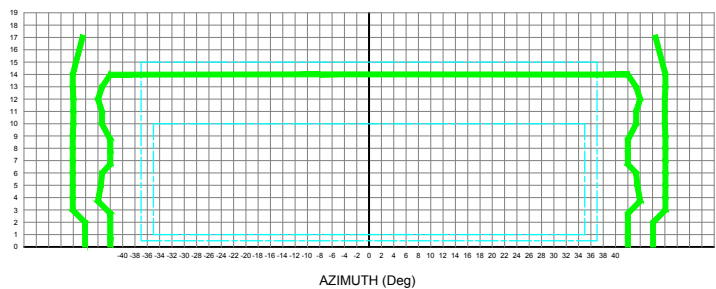
Specification

| | |
|--------------------------------|---------|
| Color | Yellow |
| Max/Min Intensity Ratio | <3.0 |
| Main rect. average intensity | 100 cds |
| Main rect. minimum intensity | 50 cds |
| Second rect. minimum intensity | 10 cds |

Typical Measured Values

| | |
|----------------------------------|---------|
| Color | Yellow |
| Max/Min Intensity Ratio (Ref) | 2.63 |
| Main rect. average intensity | 199 cds |
| Main rect. maximum intensity (A) | 260 cds |
| Main rect. minimum intensity (B) | 83 cds |
| Second rect. minimum intensity | 57 cds |

Intensity Chart - IRIS Taxiway Centerline Luminaire (Wide) Green



Intensity Chart - IRIS Taxiway Centerline Luminaire (Wide) Yellow

