

# Solar Powered ICAO Type A Low Intensity Obstruction Light AV-OL-75 Avlite

## Compliance

Low Intensity Type A Obstruction Light, ICAO Annex 14, Volume 1, Sixth Edition, July 2013, 'Aerodrome Design and Operations'

## Applications

- Wind Turbine
- Crane
- Buildings
- Towers

## Features

- Self-contained solar powered obstruction light with integrated solar/battery system.
- Dual internal high-performance solar modules angled to maximize solar collection.
- Save time, maintenance costs and increase safety by maintaining the light with your phone or tablet from the ground.
- Conveniently check the user-replaceable battery.
- Fast and easy to deploy - no programming.
- Ultra-high intensity LED (no changing lamps ever).
- Smallest and lightest self-contained ICAO compliant LIOL Type A Obstruction Light.
- IP68 waterproof rating.
- Tough UV-stabilized LEXAN® polycarbonate lens and light base.

The AV-OL-75 is a next generation, low maintenance, self-contained solar LED obstruction light designed to comply with ICAO LIOL Type A requirements. The model is suitable for a variety of applications including telecommunication towers, wind turbines, buildings and other structures up to 45 meters.

Manufactured using the latest in LED technology, the AV-OL-75 is an ultra bright, energy efficient and cost effective self-contained solar obstruction light with Bluetooth® connectivity for convenient servicing via your phone or tablet.

## Bluetooth® for Monitoring

Convenient servicing via the new Bluetooth® connected AvlitePro™ mobile application, the AV-OL-75 can be monitored from a distance up to 50 meters. An built-in solar calculator confirms the light's ability to operate at the set location, ensuring optimal operating performance.

## Dual High Performance Solar Modules

The AV-OL-75 boasts dual high performance solar modules which are tilted to obtain maximum sunlight capture, allowing



*Small Form Factor Obstruction Light with Bluetooth® Connectivity*



the unit to operate reliably in a range of low sunlight environments. The two built-in, high performance integrated panels charge the battery during daylight hours and the internal photo diode detects ambient light to achieve true self-sufficient dusk-till-dawn operation.

## Small Form Factor

The small form factor of the AV-OL-75 makes it the smallest and lightest self-contained ICAO compliant LIOL Type A obstruction light in the market. The new lights are compact, rugged and come fully self-contained. They offer rapid and easy installation due to the fact there is no external cabling or power required.

## Optional GSM Monitoring

The AV-OL-75 may also be fitted with GSM Cell-Phone Monitoring enabling users to access real-time diagnostic data. The system can also be configured to send out alarm SMS text messages or email alerts to designated operators should alarm conditions be triggered, such as low voltage or light failure.

## Ordering Codes

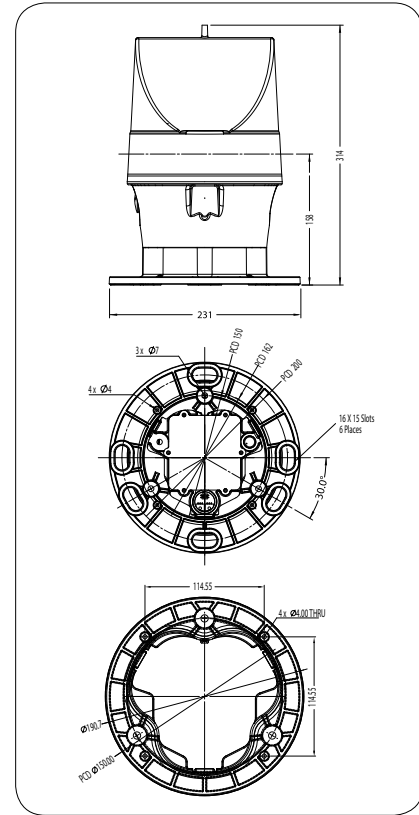
Fixture	Options
AV-OL-75	G1: GSM GX: No GSM SW: External ON/OFF switch CP: External charging port EX: Excluding battery SC: External ON/OFF switch & external charge port

+1.800.806.3548 US & Canada  
+1.916.394.2800 Worldwide  
+1.916.394.2809 Fax

[www.flightlight.com](http://www.flightlight.com)  
[sales@flightlight.com](mailto:sales@flightlight.com)

Flight Light Inc., 2708 47th Ave.  
Sacramento, CA, 95822, USA

SPECIFICATIONS* AV-OL-75	
<b>Light Characteristics</b>	
Light Source	1 LED
Available colors	Red as standard.
Minimum Intensity (cd)†	10 cd - ICAO Type A
Available Operation Modes	Stand by, steady-on, dusk till dawn
LED Life Expectancy (hours)	>100,000
<b>Electrical Characteristics</b>	
Operating Voltage (V)	3.6
Temperature Range	-40 to 80°C
<b>Solar Characteristics</b>	
Solar Module Type	Monocrystalline
Output (watts)	2 x 2.5 watt
Charging Regulation	Microprocessor controlled
<b>Power Supply</b>	
Battery Type	High grade NIMH - Environmentally friendly
Battery Capacity (Ah)	21.5
Nominal Voltage (V)	3.6
Autonomy (nights)	Steady-on: 19 nights (14 hour nights)
<b>Physical Characteristics</b>	
Body Material	LEXAN® Polycarbonate - UV stabilized
Lens Material	LEXAN® Polycarbonate - UV stabilized
Lens Diameter (mm/inches)	140 / 5½
Lens Design	TIR
Mounting	6 x 17mm holes on 200mm PCD
Height (mm/inches)	240 / 9½
Width (mm/inches)	231 / 9¼
Mass (kg/lbs)	2.6 / 2¾
Product Life Expectancy	12 years plus
<b>Environmental Factors</b>	
Humidity	0 to 100%, MIL-STD-810F
Icing	21.9kg per square cm / 48.5lbs per square inch
Wind Speed	Up to 160kph / 100mph
Shock	MIL-STD-202G, Test Condition G, Method 213B
Vibration	MIL-STD202G, Test Condition B, Method 204
<b>Certifications</b>	
CE	EN61000-6-3:2007 EN61000-6-1:2007
Quality Assurance	ISO9001:2008
ICAO	Low Intensity Obstruction Light Type A - 2013
Waterproof	IP68
<b>Intellectual Property</b>	
Trademarks	AVLITE® is a registered trademark of Avlite Systems
<b>Warranty*</b>	3 year warranty
<b>Options Available</b>	<ul style="list-style-type: none"> <li>• GSM Monitoring</li> <li>• External ON/OFF Switch</li> <li>• External Battery Charging Port</li> </ul>
<b>Disclaimer</b>	Bluetooth connectivity can be subject to site specific conditions & device receiver quality.



AvlitePro™ mobile application provides Battery, Autonomy and Power data.

