



Flight Light Inc.
2708 47th Ave.
Sacramento, California, U.S.A.
95822-3806



HBM 320
L-802M

PH (916) 394-2800 FX (916) 394-2809
TF (800) 806-3548 EM info@flightlight.com

Military Airport Rotating Beacon

Military Airport Rotating Beacon Model: HBM 320

Compliance

FAA: L-802M A/C 150/5345-12
(Current Edition)

ETL Certified

Applications

L-802M Rotating Beacons are designed for operation as identification and location markers for military airports.

Key Specifications

- Patented belt-drive system eliminates the lubrication maintenance required by conventional gear-drive beacons (U.S. Pat. 5,339,224).
- Patented liquid-filled lamp connector, eliminating the slip rings and brushes found on conventional beacons (U.S. Pat. 5,816,678).
- Two 34,000 lumen, 320 watt pulse-start metal-halide lamps.
- Pulse-start lamps are fully bright in 3-5 minutes.
- 20,000+ hour typical lamp life (4-5 years).
- One white dual beam lens, one aviation green lens.
- NO maintenance except lamp replacement.
- All moving parts are permanently lubricated.
- Thermally-protected motor eliminates burnouts.
- Lamps preset 5° above horizontal, adjustable 2-10°.
- 6 RPM rotation, 18 flashes/minute.
- Weatherproof steel cabinet, powder coated international orange.
- Optional stainless steel cabinet & bearings for highly corrosive environments.
- Class I temperature range: -30 to +55 °C (-22 to +131 °F).
- Class II temperature range: -55 to +55 °C (-67 to +131 °F).
- Certified to wind velocities of 100 mph.
- Can operate with photocell and/or tell-tale relay.
- Mountable on a Beacon Tipdown Pole.
- Power Consumption: 793W Class I, 1193W Class II.
- Manufactured in the USA.



Beacon Tipdown Pole

Visit our web site: www.flightlight.com



Flight Light Inc.
 2708 47th Ave.
 Sacramento, California, U.S.A.
 95822-3806



HBM 320
L-802M

PH (916) 394-2800 FX (916) 394-2809
 TF (800) 806-3548 EM info@flightlight.com

Military Airport Rotating Beacon

Ordering Information

Part Number	Description
L802M6116.....	120 VAC, 60 Hz, Class 1
L802M6126.....	220-240 VAC, 60 Hz, Class 1
L802M6216.....	120 VAC, 60 Hz, Class 2
L802M6226.....	220-240 VAC, 60 Hz, Class 2

NOTE: 220-240 VAC must be single wire with neutral

Options

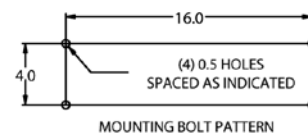
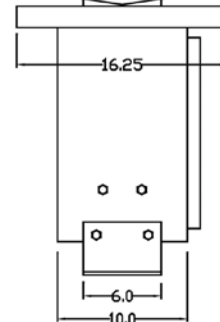
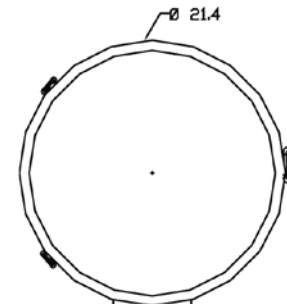
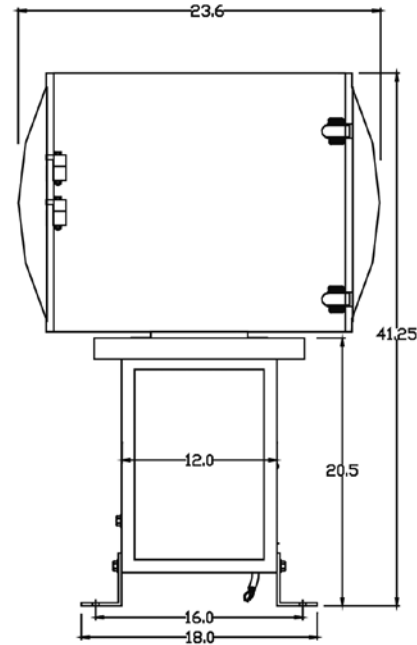
Part Number	Description
L801/802 T/T HBM 120.....	Tell-tale Relay, 120 VAC
L801/802 T/T HBM 240.....	Tell-tale Relay, 220-240 VAC
4200-0000.....	Tower Mounting Kit

Replacement Parts

Part Number	Description
0200-0027.....	Ballast Assembly, 60 Hz
0600-0004.....	Belt
2300-0003.....	Lamp fuse, 10 amp
2300-0002.....	Motor fuse, 1/2 amp
3400-0136.....	Lamp, 320 watt pulse-start
2800-0056.....	Lens, aviation white
2800-0057.....	Lens, aviation green
0100-3825.....	Lens clip

Shipping Information

Unpackaged Weight: 155 pounds
 USA Shipping Weight: 250 pounds
 USA Shipping Volume: 48"x42"x32"
 International Shipping Weight: 250 pounds
 International Shipping Volume: 48"x40"x32"



Visit our web site: www.flightlight.com