



Flight Light Inc.  
2708 47th Ave.  
Sacramento, California, U.S.A.  
95822-3806

PH (916) 394-2800 FX (916) 394-2809  
TF (800) 806-3548 EM [info@flightlight.com](mailto:info@flightlight.com)

## AV-60 Solar Aviation Light Avlite

### Compliance

- FAA AC150/5370-2F for construction and barricade installations
- ICAO Annex 14 Volume 1, 'Aerodrome Design and Operations', Fourth edition July 2004, paragraph 5.3.17.7.

### Typical Applications

- Solar Barricade Light
- Solar Caution Light
- Solar Hazard Light
- Solar Taxiway Light (ICAO)
- Solar Obstruction Light

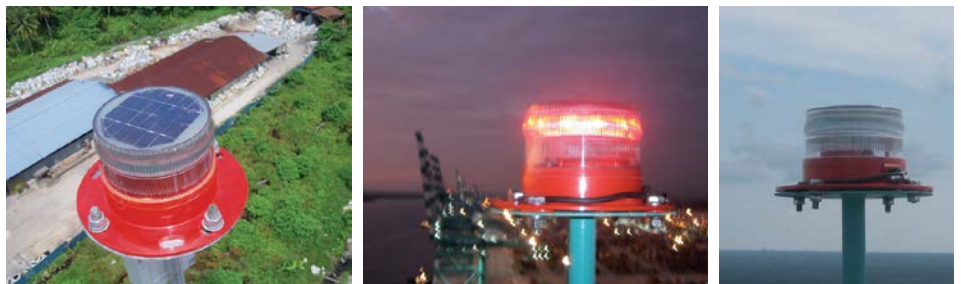
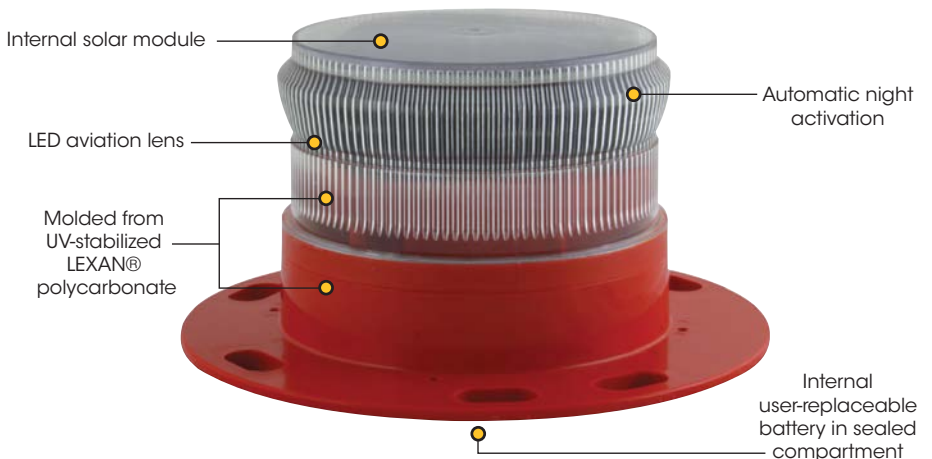
### Features

- Up to 5.7km visible range (flashing), up to 3.7km visible range (steady-on) – color dependant
- Integrated solar/battery system
- IP68 waterproof rating
- User-replaceable battery
- Ultra-high intensity LEDs (no changing globes ever)

The AV-60 solar LED light provides up to 5.7km visible range (flashing). The positive divergence, wide angle lens makes it suitable for a variety of applications including taxiway, general hazard, barricade and low-intensity obstruction lighting.

Designed to be maintenance-free and have a service life of up to 12 years, the popular AV-60 model boasts user-adjustable intensity settings and can be set onsite to either steady-on or flashing operation. The light is simply switched 'ON', and the unit is ready for immediate operation. Once installed, the AV-60 requires no operator intervention.

The internal solar module charges the battery during daylight hours, and at dusk the light will automatically begin operation once the ambient light



threshold drops sufficiently. The battery is housed in a sealed compartment allowing it to be changed after years of service.

Coupled with the latest LED technology, and a highly efficient DC/DC converter, the light may provide over 40 days of continuous operation without sunlight. The AV-60 comes with a large 200mm bolt pattern.

Several thousand AV-60 units are installed throughout Asia, Africa and the Middle East to mark telecommunications towers and other aerial obstructions.

### Optional ON/OFF Switch

The AV-60 is also available with an optional external ON/OFF switch; this means, when in position, the light can be turned on with the flick of a switch.

Visit our web site: [www.flightlight.com](http://www.flightlight.com)



**Flight Light Inc.**  
 2708 47th Ave.  
 Sacramento, California, U.S.A.  
 95822-3806

**PH (916) 394-2800**  
**TF (800) 806-3548**

**FX (916) 394-2809**  
**EM info@flightlight.com**

**AV-60**  
**Solar Aviation Light**  
**Avlite**

**SPECIFICATIONS\***

**AV-60**

**Light Characteristics**

Light Source  
 Available colors  
 Peak Intensity (cd)†  
 Horizontal Output (degrees)  
 Vertical Divergence (degrees)  
 Reflector Type

6 ultra-high intensity LEDs  
 Red, Green, White, Yellow, Amber, Blue, Sectored Combinations  
 Steady-on: Blue - 1.0 Red - 3.3 Green - 5.0 White - 4.4 Yellow - 3.0  
 Flashing: Blue - 3.3 Red - 7.3 Green - 16.1 White - 14.3 Yellow - 6.9  
 360  
 Omnidirectional 360° LED Reflector  
 (US Pat. No. 6,667,582. AU Pat. No. 778,918)  
 >250 including steady-on (user-adjustable)  
 Adjustable in 25% increments  
 >100,000

Available Flash Characteristics  
 Intensity Adjustments  
 LED Life Expectancy (hours)

**Electrical Characteristics**

Operating Voltage (V)  
 Temperature Range

3.6  
 -40 to 80°C

**Solar Characteristics**

Solar Module Type  
 Output (watts)  
 Solar Module Efficiency (%)  
 Charging Regulation

Multicrystalline  
 1.4  
 14  
 Microprocessor controlled

**Power Supply**

Battery Type  
 Battery Capacity (Ah)  
 Nominal Voltage (V)  
 Autonomy (nights)

High grade NiMH - Environmentally friendly  
 8  
 3.6  
 Steady-on: >20  
 Flashing: >40 (14 hour darkness, 12.5% duty cycle)

**Physical Characteristics**

Body Material  
 Lens Material  
 Lens Diameter (mm/inches)  
 Lens Design  
 Mounting  
 Height (mm/inches)  
 Width (mm/inches)  
 Mass (kg/lbs)  
 Product Life Expectancy

LEXAN® Polycarbonate - UV stabilized  
 LEXAN® Polycarbonate - UV stabilized  
 140 / 5½  
 External optics with interior flute design  
 6 x 17mm holes on 200mm PCD  
 120 / 4¾  
 231 / 9¼  
 1.1 / 2½  
 Up to 12 years

**Environmental Factors**

Humidity  
 Icing  
 Wind Speed  
 Shock  
 Vibration

0 to 100%, MIL-STD-810F  
 22kg per square inch  
 Up to 160kph  
 MIL-STD-202G, Test Condition G, Method 213B  
 MIL-STD-202G, Test Condition B, Method 204

**Certifications**

CE  
 Quality Assurance  
 Waterproof

EN61000-6-3:1997. EN61000-6-1:1997  
 ISO9001:2008  
 IP68

**Intellectual Property**

Patents  
 Trademarks

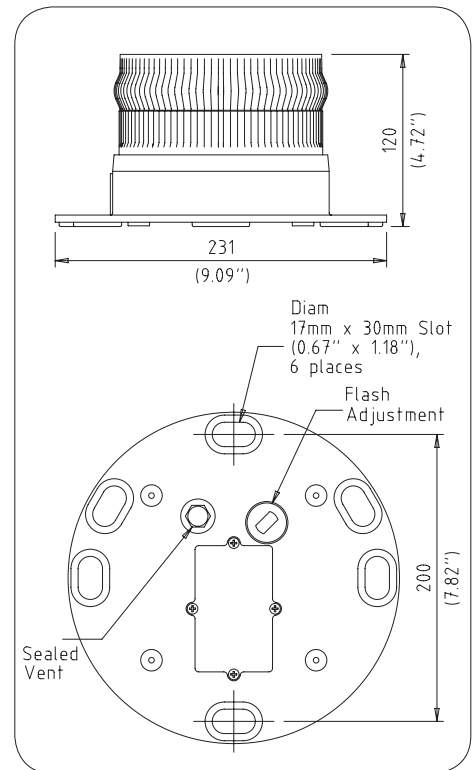
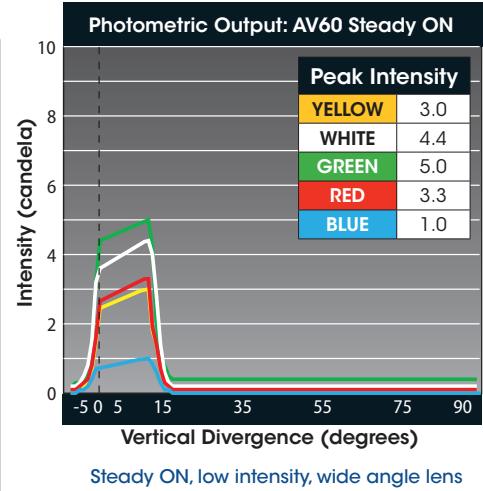
US Pat. No. 6,667,582. AU Pat. No. 778,918  
 AVLITE® is a registered trademark of Avlite Systems  
 3 year warranty

**Warranty\***

**Options Available**

- IR LEDs
- External ON/OFF Switch

\* Specifications subject to change or variation without notice  
 \* Subject to standard terms and conditions  
 † Intensity setting subject to solar availability



**Visit our web site: [www.flightlight.com](http://www.flightlight.com)**