



**Flight Light Inc.**  
 2708 47th Ave.  
 Sacramento, California, U.S.A.  
 95822-3806

**PH (916) 394-2800**    **FX (916) 394-2809**  
**TF (800) 806-3548**    **EM info@flightlight.com**

## AV310 & AV410 Solar Powered ICAO LIOL Type A Avlite

### Compliance

- Low Intensity Type A Obstruction Light, ICAO Annex 14 Volume 1, 'Aerodrome Design and Operations', Fourth edition July 2004, table 6.3.

### Features

- Integrated solar/battery system.
- User-replaceable solar modules.
- IP68 waterproof rating.
- Available in two power supply sizes to suit various locations.

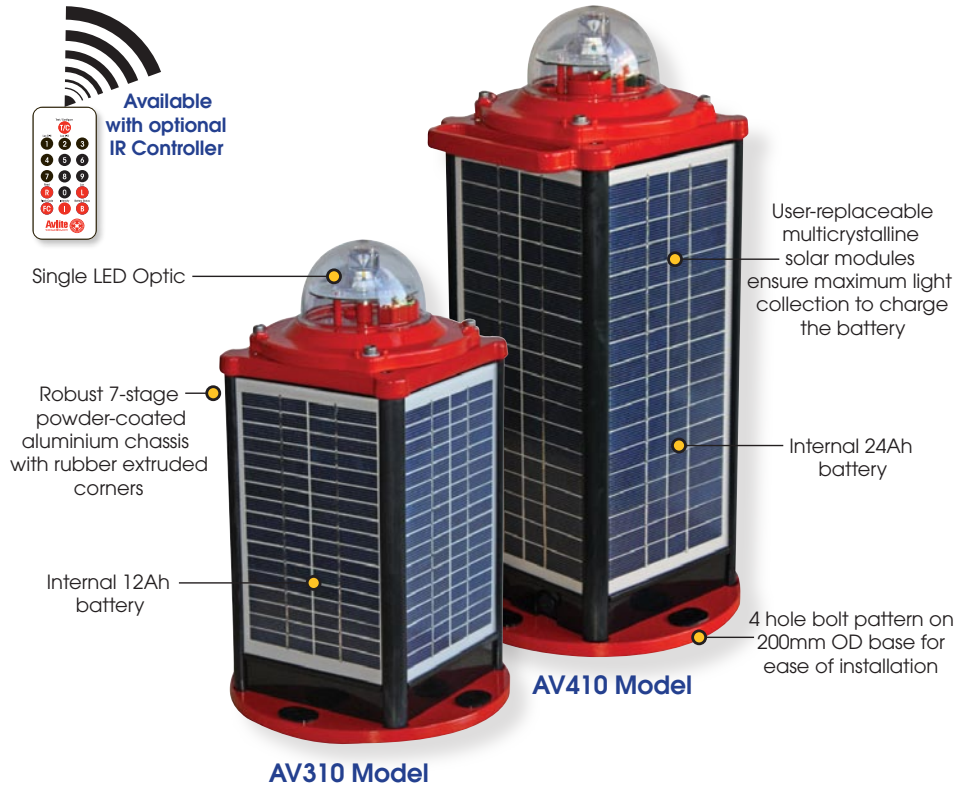
Avlite's solar powered ICAO LIOL Type A is a robust, completely self-contained solar powered LED obstruction light.

The AV310 model has four 3 watt (12 watt total) premium-grade solar modules integrated into the solar chassis, and mounted to collect sunlight at all angles. The AV410 model has four larger 5 watt panels (20 watt total) for use in areas of lower sunlight to maximize solar collection.

The solar array charges an internal battery during daylight hours, and at dusk the light will automatically begin operation.

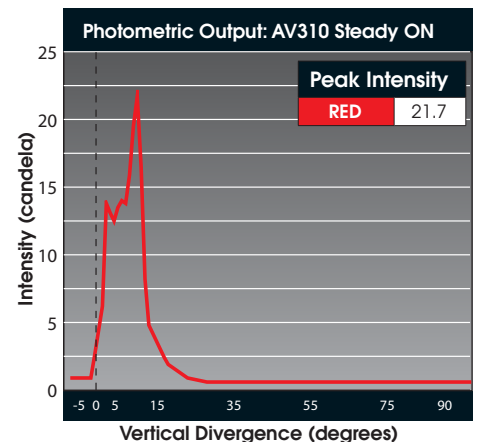
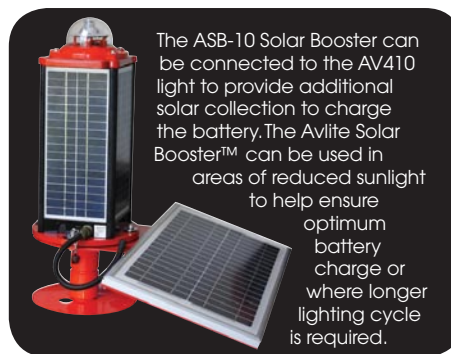
The rugged design of this self-contained light ensures up to 12 years of reliable service with minimal ongoing maintenance. Specifically designed for the harshest of environments, this light features a 7-stage, powder-coated aluminium top, base and internal chassis in high visibility colors for daytime recognition. The rubber, extruded corners provide additional impact resistance.

The advanced light optic uses a single power LED. The tough polycarbonate aviation lens is specifically designed for use with LEDs to maximize light intensity and uniformity. The light optic is interchangeable between units, and can be replaced onsite in the unlikely event of damage.



These models can be fitted with an optional, external ON/OFF switch; this means, when in position, the light can be turned on with the flick of a switch. The light can also be fitted with an optional external charging port for charging the battery while it is stored for extended periods.

The unit can be supplied in varying color outputs to suit other applications including runway edge lighting. For military applications, the unit is also available in infrared (IR).



Visit our web site: [www.flightlight.com](http://www.flightlight.com)



**Flight Light Inc.**  
 2708 47th Ave.  
 Sacramento, California, U.S.A.  
 95822-3806

**AV310 & AV410**  
**Solar Powered**  
**ICAO LIOL Type A**  
**Avlite**

**PH (916) 394-2800**  
**TF (800) 806-3548**

**FX (916) 394-2809**  
**EM info@flightlight.com**

**SPECIFICATIONS •**

**AV310**

**AV410**

**Light Characteristics**

Light Source  
 Available colors  
 Peak Intensity (cd)†  
 Horizontal Output (degrees)  
 Vertical Divergence (degrees)  
 Reflector Type  
 Available Flash Characteristics

As tested AV-OL-ILA-12-R LED  
 Red as standard. Other colors available on request, including IR  
 Complies with ICAO LIOLA  
 360  
 +4 to +13  
 Single LED Optic  
 >250 including steady-on (user-adjustable)  
 Adjustable in 25% increments  
 >100,000

As tested AV-OL-ILA-12-R LED  
 Red as standard. Other colors available on request, including IR  
 Complies with ICAO LIOLA  
 360  
 +4 to +13  
 Single LED Optic  
 >250 including steady-on (user-adjustable)  
 Adjustable in 25% increments  
 >100,000

**Intensity Adjustments**  
**LED Life Expectancy (hours)**

**Electrical Characteristics**

Current Draw (mA)  
 Circuit Protection  
 Operating Voltage (v)  
 Temperature Range

Steady-on: 39  
 Integrated  
 12  
 -40 to 80°C

Steady-on: 39  
 Integrated  
 12  
 -40 to 80°C

**Solar Characteristics**

Solar Module Type  
 Output (watts)  
 Solar Module Efficiency (%)  
 Charging Regulation

Multicrystalline  
 12 (4 x 3 watt)  
 14  
 Microprocessor controlled

Multicrystalline  
 20 (4 x 5 watt)  
 14  
 Microprocessor controlled

**Power Supply**

Battery Type  
 Battery Capacity (Ah)  
 Nominal Voltage (v)  
 Typical Autonomy (nights)  
 Approx. daily kw/h to maintain full autonomy

SLA (Sealed Lead Acid)  
 12  
 12  
 Steady-on: >20  
 2.1

SLA (Sealed Lead Acid)  
 24  
 12  
 Steady-on: >40  
 1.4  
 0.7 (with Solar Booster)

**Physical Characteristics**

Body Material  
 Lens Material  
 Lens Diameter (mm/inches)  
 Lens Design  
 Mounting  
 Height (mm/inches)  
 Width (mm/inches)  
 Mass (kg/lbs)  
 Product Life Expectancy

7-stage powder-coated aluminium  
 LEXAN® Polycarbonate - UV stabilized  
 107 / 4¼  
 Single LED Optic  
 4 x 17mm holes on 200mm PCD  
 375 / 14¾  
 233 / 9¼  
 9.1 / 20  
 Up to 12 years

7-stage powder-coated aluminium  
 LEXAN® Polycarbonate - UV stabilized  
 107 / 4¼  
 Single LED Optic  
 4 x 17mm holes on 200mm PCD  
 470 / 18½  
 233 / 9¼  
 13.9 / 30½  
 Up to 12 years

**Environmental Factors**

Humidity  
 Icing  
 Wind Speed  
 Shock

0 to 100%, MIL-STD-810F  
 22kg per square inch  
 Up to 160kph  
 MIL-STD-202G, Test Condition G, Method 213B  
 MIL-STD202G, Test Condition B, Method 204

0 to 100%, MIL-STD-810F  
 22kg per square inch  
 Up to 160kph  
 MIL-STD-202G, Test Condition G, Method 213B  
 MIL-STD202G, Test Condition B, Method 204

**Certifications**

CE  
 Quality Assurance  
 ICAO

EN61000-6-3:1997. EN61000-6-1:1997  
 ISO9001:2008  
 Low Intensity Obstruction Light Type A  
 IP68

EN61000-6-3:1997. EN61000-6-1:1997  
 ISO9001:2008  
 Low Intensity Obstruction Light Type A  
 IP68

**Waterproof**

**Intellectual Property**

Trademarks

AVLITE® is a registered trademark of Avlite Systems  
 3 year warranty

AVLITE® is a registered trademark of Avlite Systems  
 3 year warranty

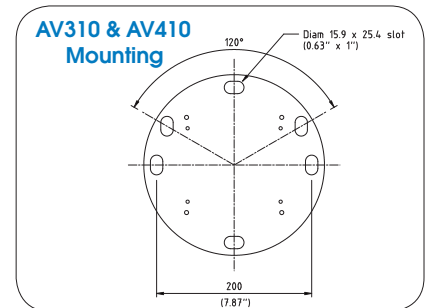
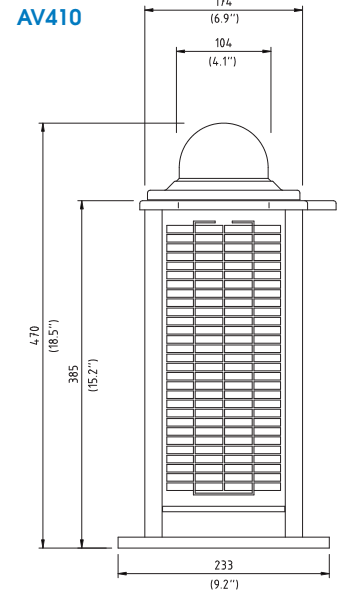
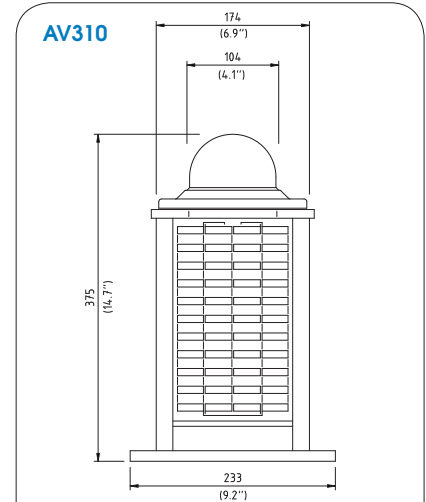
**Warranty \***

**Options Available**

- IR Controller
- External ON/OFF Switch
- External Battery Charging Port

- IR Controller
- External ON/OFF Switch
- External Battery Charging Port
- Solar Booster™

• Specifications subject to change or variation without notice  
 \* Subject to standard terms and conditions  
 † Intensity setting subject to solar availability



**Visit our web site: [www.flightlight.com](http://www.flightlight.com)**