

Red Solar Aviation Light AV-OL-70 & AV-OL-70-HI Avlite

Compliance

- FAA AC150/5370-2F for construction and barricade installations
- ICAO Annex 14 Volume 1, 'Aerodrome Design and Operations', paragraph 5.3.17.7.

Applications

- Solar Barricade Light
- Solar Caution Light
- Solar Taxiway Light (ICAO)
- Solar Threshold Light
- Solar Obstruction Light

Features

- Solar powered, self-contained
- Integrated solar/battery system
- Dual internal high-performance solar modules angled to maximize solar collection
- Fast and easy to deploy - no programming
- IP68 waterproof rating
- User-replaceable battery in sealed battery compartment
- Ultra-high intensity LEDs (no changing lamps ever)
- Tough UV-stabilized LEXAN® polycarbonate lens and light base
- Automatic night activation

The AV-OL-70 is a field proven, low maintenance, self-contained solar LED light that is suitable for a variety of applications including general hazard, caution, barricade and low-intensity obstruction lighting.

Manufactured using latest in LED technology, the popular AV-OL-70 model boasts user-adjustable intensity and flash code settings that can be easily modified on site as required. Once activated, the light is ready for immediate operation and requires no operator intervention after installation.

Utilizing the two built-in, high performance solar modules to the charge the battery during daylight hours and the internal photo diode to detect ambient light, the AV-OL-70 achieves true self-sufficient dusk-till-dawn operation in a small form factor environmentally sealed package that can be installed in minutes.

The versatile nature of the AV-OL-70 means it is also suitable for a range of taxiway applications.

AV-OL-70-HI

The AV-OL-70-HI comes with a 16Ah battery and is a high intensity version of the popular AV-OL-70. It is ideal for use in high sunlight areas that receive a minimum of 3.5 hours of sun per day.



Optional ON/OFF Switch & External Charging Port

This model can also be fitted with an optional, external ON/OFF switch for manual operation and/or an optional charging port for charging the battery while stored for extended periods.

AV-SB-3 Solar Booster™

The AV-SB-3 Solar Booster™ can be connected to the AV-OL-70 light to provide additional solar collection for charging the battery. The Avlite Solar Booster™ can be used in areas of reduced sunlight to help ensure optimum battery charge.



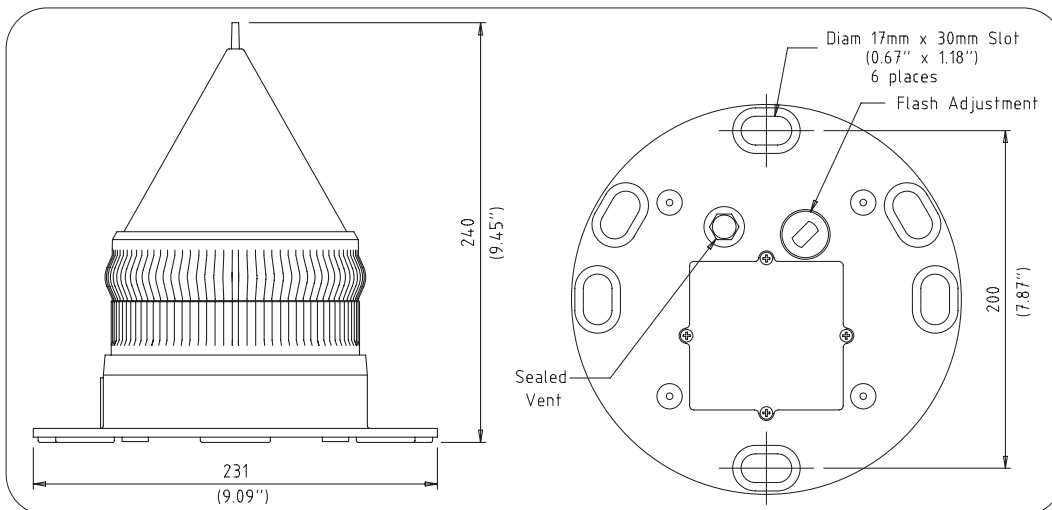
+1.800.806.3548 US & Canada
+1.916.394.2800 Worldwide
+1.916.394.2809 Fax

www.flightlight.com
sales@flightlight.com

Flight Light Inc., 2708 47th Ave.
Sacramento, CA, 95822, USA

SPECIFICATIONS * *	AV-OL-70	AV-OL-70-HI
Light Characteristics		
Light Source	1 LED	1 LED
Available colors	Red as standard. Other colors available on request, including IR	Red as standard. Other colors available on request, including IR
Peak Intensity (cd)†	10	10
Horizontal Output (degrees)	360	360
Available Flash Characteristics	>250 including steady-on (user-adjustable)	>250 including steady-on (user-adjustable)
Intensity Adjustments	Low: 25% Medium: 50% High: 100%	Low: 25% Medium: 50% High: 100%
LED Life Expectancy (hours)	>100,000	>100,000
Electrical Characteristics		
Operating Voltage (V)	3.6	3.6
Power (W)	@ 100% intensity: 0.2W	@ 100% intensity: 0.2W
Temperature Range	-40 to 80°C	-40 to 80°C
Solar Characteristics		
Solar Module Type	Multicrystalline	Multicrystalline
Output (watts)	2.5 (2 x 1.25watt)	2.5 (2 x 1.25watt)
Charging Regulation	Microprocessor controlled	Microprocessor controlled
Power Supply		
Battery Type	High grade NiMH – Environmentally friendly	High grade NiMH – Environmentally friendly
Battery Capacity (Ah)	8	16
Nominal Voltage (V)	3.6	3.6
Autonomy (nights)	Steady-on: 12 nights	Steady-on: 16Ah = 24 nights
Physical Characteristics		
Body Material	LEXAN® Polycarbonate – UV stabilized	LEXAN® Polycarbonate – UV stabilized
Lens Material	LEXAN® Polycarbonate – UV stabilized	LEXAN® Polycarbonate – UV stabilized
Lens Diameter (mm/inches)	140 / 5½	140 / 5½
Lens Design	External optics with interior flute design	External optics with interior flute design
Mounting	6 x 17mm holes on 200mm PCD	6 x 17mm holes on 200mm PCD
Height (mm/inches)	240 / 9½	240 / 9½
Width (mm/inches)	231 / 9¼	231 / 9¼
Mass (kg/lbs)	1.1 / 2½	1.1 / 2½
Product Life Expectancy	12 years plus	12 years plus
Environmental Factors		
Humidity	0 to 100%, MIL-STD-810F	0 to 100%, MIL-STD-810F
Icing	3.41kg per square cm / 48.5lbs per square inch	3.41kg per square cm / 48.5lbs per square inch
Wind Speed	Up to 160kph / 100mph	Up to 160kph / 100mph
Shock	MIL-STD-202G, Test Condition G, Method 213B	MIL-STD-202G, Test Condition G, Method 213B
Vibration	MIL-STD202G, Test Condition B, Method 204	MIL-STD202G, Test Condition B, Method 204
Certifications		
CE	EN61000-6-3:2007 EN61000-6-1:2007	EN61000-6-3:2007 EN61000-6-1:2007
Quality Assurance	ISO9001:2008	ISO9001:2008
Waterproof	IP68	IP68
Intellectual Property		
Patents	US Pat. No. 6,667,582. AU Pat. No. 778,918	US Pat. No. 6,667,582. AU Pat. No. 778,918
Trademarks	AVLITE® is a registered trademark of Avlite Systems	AVLITE® is a registered trademark of Avlite Systems
Warranty *	3 year warranty	3 year warranty
Options Available	<ul style="list-style-type: none"> • IR LEDs • External ON/OFF Switch • External Battery Charging Port • Solar Booster™ 	<ul style="list-style-type: none"> • IR LEDs • External ON/OFF Switch • External Battery Charging Port • Solar Booster™

* Specifications subject to change or variation without notice
 * Subject to standard terms and conditions
 † Intensity setting subject to solar availability



+1.800.806.3548 US & Canada
 +1.916.394.2800 Worldwide
 +1.916.394.2809 Fax

www.flightlight.com
sales@flightlight.com

Flight Light Inc., 2708 47th Ave.
 Sacramento, CA, 95822, USA