



Toll Free: 800.806.3548
 Tel: 916.394.2800
 Fax: 916.394.2809
 Email: sales@flightlight.com
 Web: www.flightlight.com

SCR490D Beacon & Obstruction Lamp Alarm Relay

FL-81011 (with device box) • 68-SCR490D (w/o device box)



The SCR490D Series is used to provide remote monitoring of steady burning incandescent marker and obstruction lighting. Four onboard switches allow operator programming for lighting systems with two through nine lamps on a single AC circuit. The SCR490D uses a toroidal sensor and electronic circuitry to sense the failure of one or more lamps.

Features:

- Senses failed obstruction lamps
- 2 - 9 steadily burning lamps can be monitored
- Toroidal current sensing
- Isolated, 10A, SPDT alarm output contacts
- 1A, solid-state line voltage alarm output
- 6 second trip delay prevents nuisance alarms

Approvals:

Operation

When a lamp fails, the SCR490D senses a decrease in current flow. Then, after a fixed time delay, it transfers to its alarm mode. In alarm mode, the LED indicator, the output relay (SPDT isolated contacts), and a non-isolated solid-state output are energized. Replacement of the failed lamps resets the alarm outputs and the LED indicator. To prevent false alarm signals, power must be applied to the SCR490D at the same time that lamps are energized.

Available Models:

SCR490D

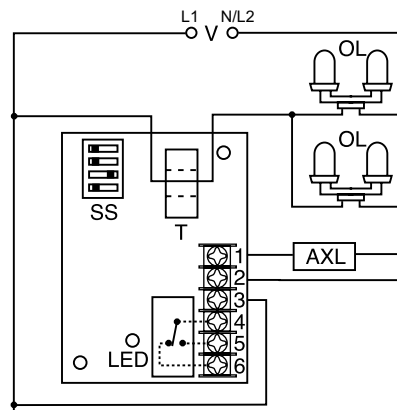
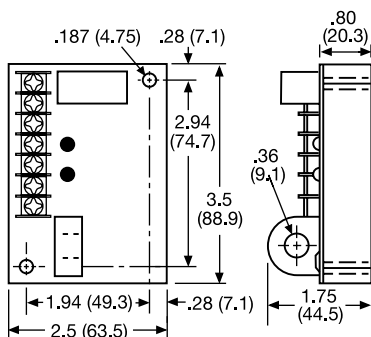
Order Table:

Input	Part Number
120VAC	SCR490D

Specifications:

Operation		Mounting	Surface mount with two #6 (M3.5 x 0.6) screws
Number of Lamps	2 - 9 (selectable)	Dimensions	3.5 x 2.5 x 1.75 in. (88.9 x 63.5 x 44.5 mm)
Lamp Wattage	116W, incandescent lamps	Termination	Screws with captive clamps for up to 14 AWG (2.45 mm ²) wire
Rated Lamp Voltage	120 or 130VAC (selectable)	Circuitry	Encapsulated
Monitored Voltage	120VAC ±3%	Operating / Storage Temperature	-40° to 65°C / -40° to 85°C
Trip Delay	≅ 6s fixed	Humidity	.95% relative, non-condensing
Voltage	120VAC	Weight	≅ 6.8 oz (193 g)
AC Line Frequency	50/60Hz		
Tolerance	120VAC - 20% - 10%		
Line Voltage Output (Solid State Rated)	≤ 125W to operate a spare lamp or alarm		
Isolated Alarm Output	10A @ 120VAC or 30VDC resistive; 1/4 hp @ 125VAC; 1/2 hp @ 250VAC		

SCR490D Connection Diagrams



V = Voltage
 OL = Obstruction Lamps
 T = Toroid
 SS = Selector Switch
 AXL = Auxiliary Load/ Alarm
 Relay contacts are isolated.