



Toll Free: 800.806.3548
 Tel: 916.394.2800
 Fax: 916.394.2809
 Email: sales@flightlight.com
 Web: www.flightlight.com

SCR Series Beacon & Obstruction Universal Lamp Alarm Relay

FL-81010 (with device box) • 68-SCR430T (w/o device box)



The SCR series is a universal lamp alarm relay designed to sense the failure of flashing or steady incandescent beacon lamps or steady side lights. The toroidal current sensor provides isolation and allows monitoring of more than one line at a time. The SCR Series energizes when one or more lamps fail. It will monitor the operation of one to four side lights and up to four beacon lamps.

Operation

When a lamp fails, the SCR Series senses a decrease in current flow. After a fixed time delay, the LED glows and the two alarm outputs energize. The outputs and the LED are reset when the failed lamps are replaced and the current returns to the nominal setting, or when the input voltage is removed. The SCR will sense an open flasher, it will not sense a continuously ON flasher (see FB Series).

Features:

- Monitors incandescent lamps for failure
 - Senses failed flashing beacon or obstruction lamps
 - Switch selectable number, voltage, & wattage of lamps
 - Isolated, 10A, SPDT alarm output contacts
 - 1A, solid-state line voltage alarm output
 - Toroidal current sensing
- Approvals: (SCR430T only)

Available Models:

SCR430T
 SCR630T

Order Table:

Input	Lamp Type	Part Number
120VAC	Incandescent	SCR430T
230VAC	Incandescent	SCR630T

Specifications:

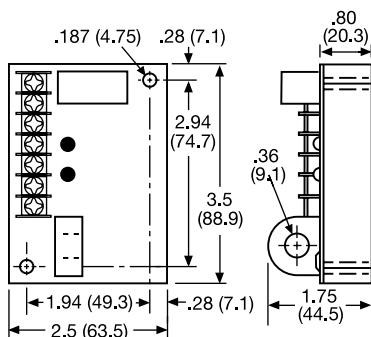
Lamp Monitoring		100W	116W	620W	700W
Capacity (in lamps)	SCR430T 120VAC Lamps	4	4	4	n/a
	SCR630T 230VAC Lamps	n/a	4	n/a	4
Time Delay		Factory fixed \approx 6s			
Trip Delay		Factory fixed \approx 6s			
Input		SCR430T - 120VAC \pm 10%			
Input Voltage/Tolerance		SCR630T - 230VAC \pm 10%			
AC Line Frequency		50/60Hz			
Output		To operate a spare lamp or alarm			
Line Voltage Output (Solid-state Rated)		\leq 125W @ 120VAC			
		\leq 250W @ 240VAC			
Isolated Alarm Output (SPDT)		10A @ 240VAC or 30VDC resistive; 1/4 hp @ 125VAC; 1/2 hp @ 250VAC			

Mechanical

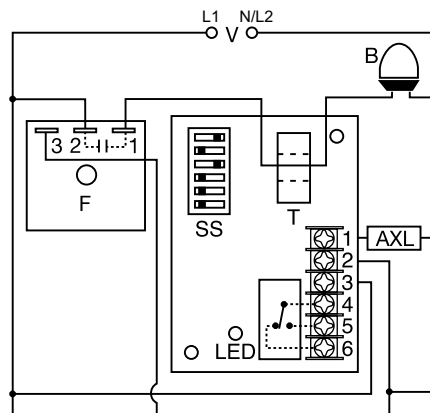
Mounting	Two #6 (M3.5 x 0.6) screws
Dimensions	3.5 x 2.5 x 1.75 in. (88.9 x 63.5 x 44.5 mm)
Termination	Screws with captive clamps for up to 14 AWG (2.45 mm ²) wire

Protection

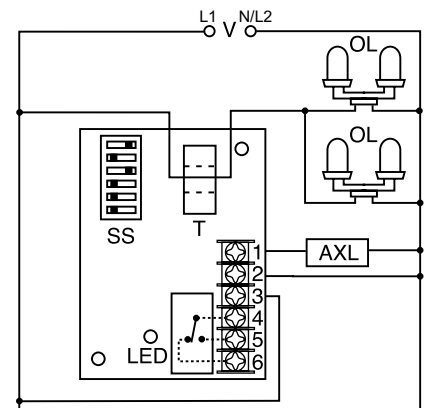
Circuitry	Encapsulated
Environmental	
Operating Temperature	-40° to 65°C
Weight	\approx 6.8 oz (193 g)



Beacon Connection Diagram



Obstruction Lamp Connection Diagram



V = Voltage
 B = Beacon Lamps
 SS = Selector Switch
 T = Toroid
 F = Flasher
 AXL = Auxiliary Load/Alarm
 OL = Obstruction Lamps
 Relay contacts are isolated.