



Toll Free: 800.806.3548
 Tel: 916.394.2800
 Fax: 916.394.2809
 Email: sales@flightlight.com
 Web: www.flightlight.com

FS & FA Series Beacon Tower Flasher

FL-81001 (with device box)
 68-FS155-30RF (w/o device box)



B-KON Flashers have proven their reliability through years of use on communication towers, smoke stacks, cooling towers, tall buildings, bridges and utility towers. The highest quality components are encapsulated in a rugged plastic housing with a molded-in heat transfer plate. The flash rate, ratio, and fail-safe design meet FAA regulations. Zero voltage switching can increase lamp life up to ten times. The FS155-30RF & FS165-30RF include superior RF filtering circuitry for use in high RF installations; including AM hot towers.

Operation FS Series - Flasher (OFF First) FA Series - Flashers & Aux. Modules

Upon application of input voltage, the T2 OFF time begins. At the end of the OFF time, the T1 ON time begins and the load energizes. At the end of T1, T2 begins and the load de-energizes. This cycle repeats until voltage is removed. Reset: Removing input voltage resets the output and the sequence to T2.

Features:

- Zero voltage switching - up to 10 times longer lamp life
- No RFI caused by contacts closing
- High inrush capability - up to 200A
- RF model for AM hot towers & other high RF installations
- Auxiliary units for synchronous flashing or constant line loading

Approvals: (FS155 & FA155 models only)

Auxiliary Products:

- **Quick connect to screw adaptor:**
P/N: P1015-18
- **Female quick connect:**
P/N: P1015-13 (AWG 10/12)
P/N: P1015-64 (AWG 14/16)
P/N: P1015-14 (AWG 18/22)

Available Models:

FA155	FS155-30RF
FA155-2	FS155-30T
FA165	FS165-30T
FA165-2	

If desired part number is not listed, please call us to see if it is technically possible to build.

Order Table:

Input	Wattage	Inrush	Description
120VAC	2500W	200A	For High RF Radiation locations including AM Hot Towers
120VAC	2500W	200A	Standard Flasher
230VAC	5000W	200A	For High RF Radiation locations including AM Hot Towers
230VAC	5000W	200A	Standard Flasher
120VAC	2500W	200A	Auxiliary unit for synchronous operating of additional beacons
120VAC	3000W	300A	Auxiliary unit with optical isolation between input and load contacts
230VAC	5000W	200A	Auxiliary unit for synchronous operating of additional beacons
120VAC	2500W	200A	Auxiliary unit to provide constant line loading
230VAC	5000W	200A	Auxiliary unit to provide constant line loading

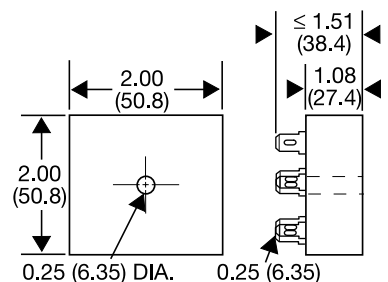
Part Number

FS155-30RF
FS155-30T
FS165-30RF
FS165-30T
FA155-2
FA155-3
FA165-2
FA155
FA165

Specifications:

Operation	Single & multiple beacon flashing with auxiliary modules
Flash Rate (FS Series Only)	30 ±10 FPM
ON/OFF Ratio (FS Series Only)	50 - 67% ON time; 33 - 50% OFF time
Voltage	120 or 230VAC ±20%
AC Line Frequency	50/60Hz
Output Rating (Zero Voltage Switching)	2500W @ 120VAC; 5000W @ 230VAC
Inrush Current	200A peak for 1 cycle of AC line
Mounting*	Surface mount with one #10 (M5 x 0.8) screw
Dimensions	2 x 2 x 1.51 in. (50.8 x 50.8 x 38.4 mm)
Termination	0.25 in. (6.35 mm) male quick connect terminals
Circuitry	Encapsulated
Operating / Storage Temperature	-40° to 65°C / -40° to 85°C
Humidity	95% relative, non-condensing
Weight	≅ 3.9 oz (111 g)

* Note: Must be mounted to metal surface using the included heat sink compound. The maximum mounting surface temperature is 90°C.



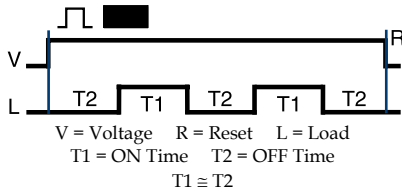


Toll Free: 800.806.3548
 Tel: 916.394.2800
 Fax: 916.394.2809
 Email: sales@flightlight.com
 Web: www.flightlight.com

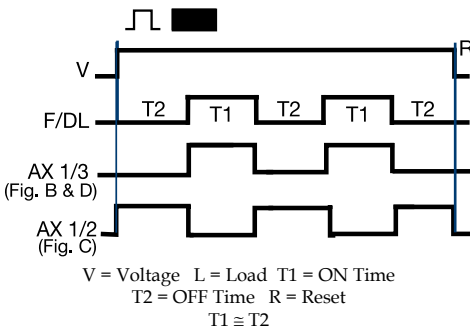
FS & FA Series Beacon Tower Flasher

FL-81001 (with device box)
 68-FS155-30RF (w/o device box)

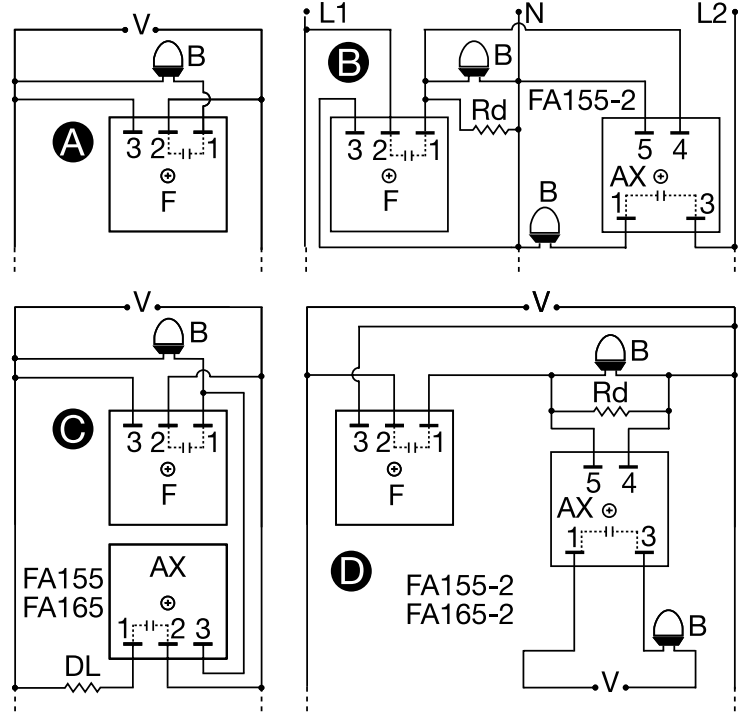
Flasher Function Diagrams: FS Series: Flasher (OFF First)



FA Series: Flashers & Aux. Modules



FS155 & FS165 & FA Series Connection Diagrams



F = Flasher (FS155-30T, FS155-30RF, FS165-30T, FS165-30RF)
 AX = Auxiliary Unit
 B = Beacon
 DL = Dummy Load for Constant Line Loading
 Rd = 3.3 K Ω @ 5W for 120VAC
 8.5 K Ω @ 5W for 230VAC